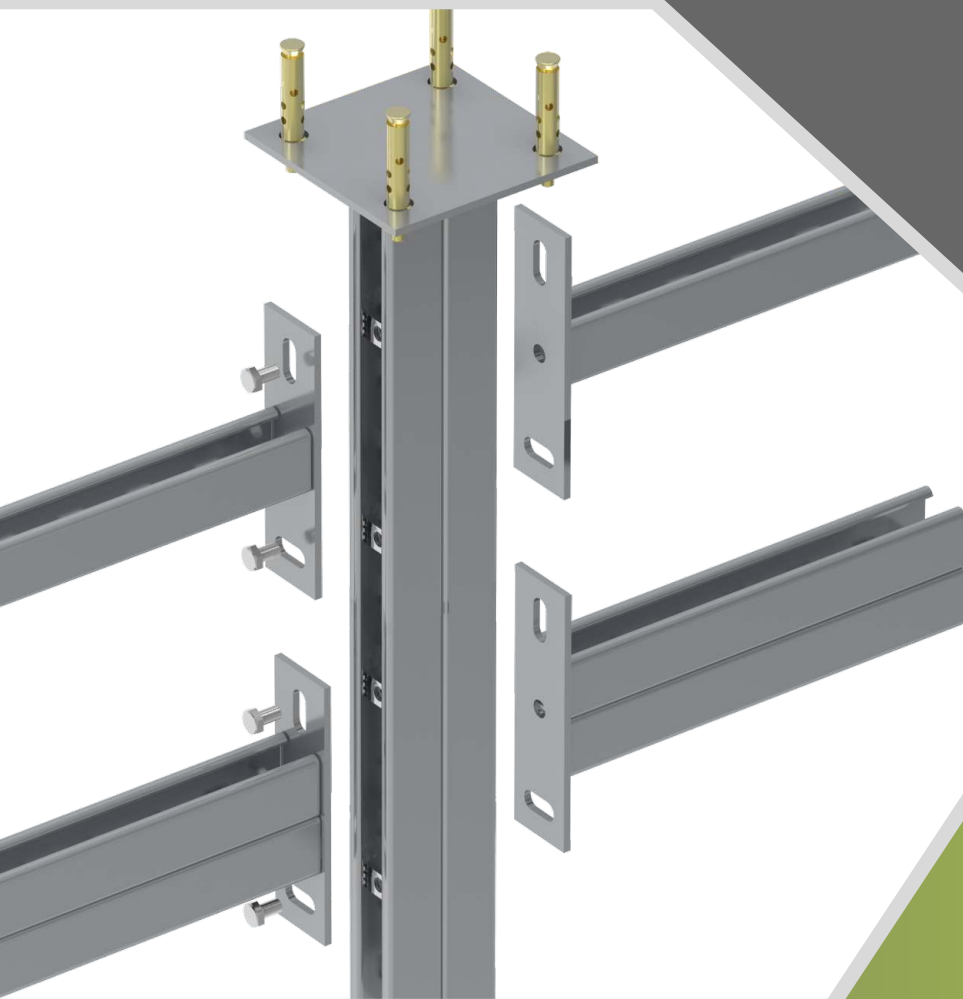




ЕНЕРДЖИ ГРУП ООД

"С" опорни системи

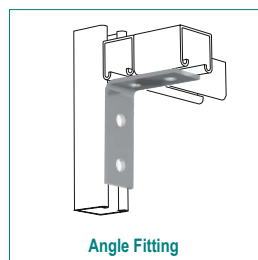
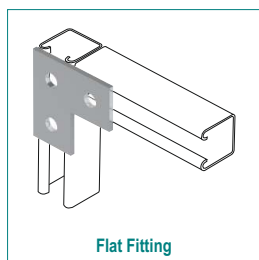
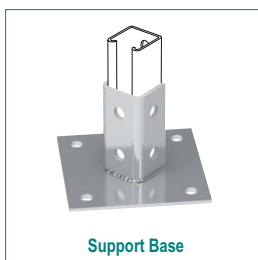
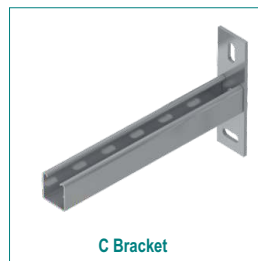
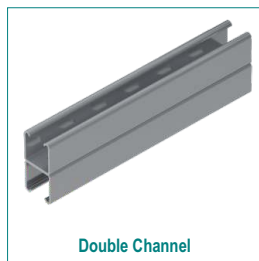
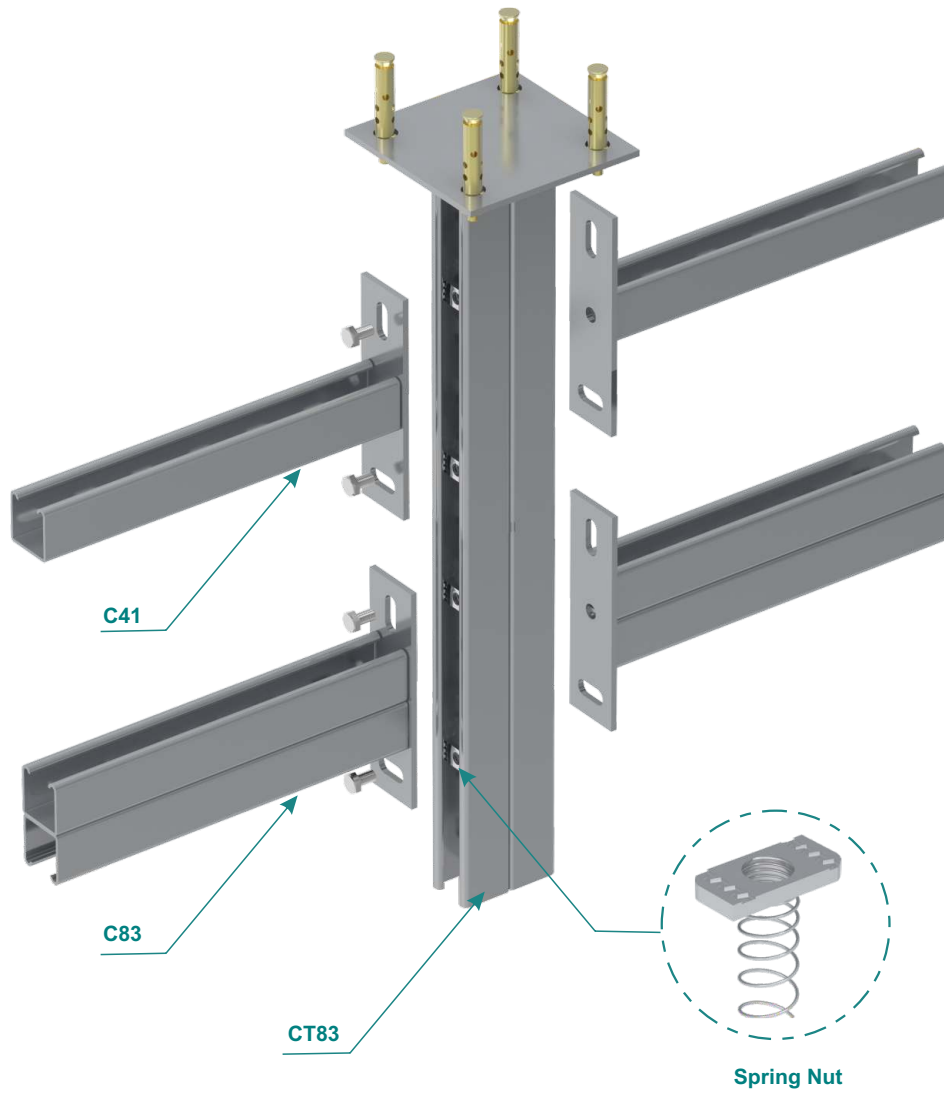


**C SUPPORT
SYSTEMS**

Системи за електрически кабелни скари

**www.abelectric.bg
www.abenergygroup.bg**

"C" опорни системи



C Channel 21x41

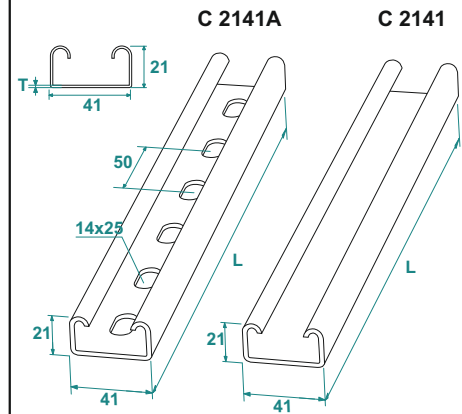
Канал "C" (21x41)



C 2141A
Perforated



C 2141
Non-Perforated



Pre-Galvanised

C 2141A L:3000

CODE	Thickness T mm	Length L mm	KG 1 m	pcs
C 2141A 12 PG	1,2	3000	0,85	1
C 2141A 15 PG	1,5	3000	1,05	1
C 2141A 20 PG	2,0	3000	1,45	1
C 2141A 25 PG	2,5	3000	1,80	1

Pre-Galvanised

C 2141 L:3000

CODE	Thickness T mm	Length L mm	KG 1 m	pcs
C 2141 12 PG	1,2	3000	0,95	1
C 2141 15 PG	1,5	3000	1,19	1
C 2141 20 PG	2,0	3000	1,59	1
C 2141 25 PG	2,5	3000	1,98	1

Hot Dip Galvanised

C 2141A L:3000-6000

CODE	Thickness T mm	Length L mm	KG 1 m	pcs
C 2141A 15 HDG	1,5	3000	1,13	1
C 2141A 20 HDG	2,0	3000	1,51	1
C 2141A 25 HDG	2,5	3000	1,88	1
C 2141A.60 20 HDG	2,0	6000	1,51	1
C 2141A.60 25 HDG	2,5	6000	1,88	1

Hot Dip Galvanised

C 2141 L:3000-6000

CODE	Thickness T mm	Length L mm	KG 1 m	pcs
C 2141 15 HDG	1,5	3000	1,19	1
C 2141 20 HDG	2,0	3000	1,59	1
C 2141 25 HDG	2,5	3000	1,98	1
C 2141.60 20 HDG	2,0	6000	1,59	1
C 2141.60 25 HDG	2,5	6000	1,98	1

C 2141A	Unit	Z - Z AXIS			Y - Y AXIS		
		1,5	2,0	2,5	1,5	2,0	2,5
Moment of Inertia	cm ⁴	3,34	4,25	5,07	0,7	0,88	1,03
Section Modulus	cm ³	1,68	1,88	2,59	0,6	0,75	0,89
Allowable Bending Stress	kN/cm ²	21,82	21,82	21,82	21,82	21,82	21,82

C Double Channel 42x41 (Welded)

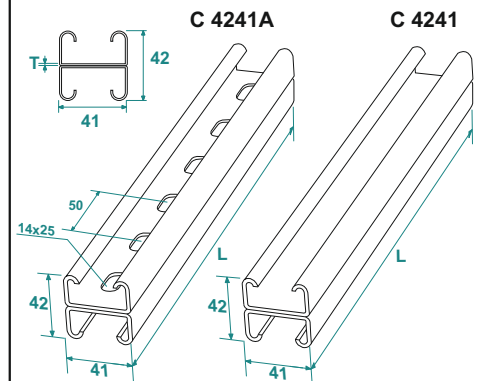
Двоен "C" канал (21x41)



C 4241A
Perforated



C 4241
Non-Perforated



Hot Dip Galvanised

C 4241A L:3000-6000

CODE	Thickness T mm	Length L mm	KG 1 m	pcs
C 4241A 20 HDG	2,0	3000	3,01	1
C 4241A 25 HDG	2,5	3000	3,77	1
C 4241A.60 20 HDG	2,0	6000	3,01	1
C 4241A.60 25 HDG	2,5	6000	3,77	1

Hot Dip Galvanised

C 4241 L:3000-6000

CODE	Thickness T mm	Length L mm	KG 1 m	pcs
C 4241 20 HDG	2,0	3000	3,14	1
C 4241 25 HDG	2,5	3000	3,93	1
C 4241.60 20 HDG	2,0	6000	3,14	1
C 4241.60 25 HDG	2,5	6000	3,93	1

C 4241A	Unit	Z - Z AXIS		Y - Y AXIS	
		2,0	2,5	2,0	2,5
Moment of Inertia	cm ⁴	8,51	10,14	4,60	5,55
Section Modulus	cm ³	4,26	5,18	2,19	2,65
Allowable Bending Stress	kN/cm ²	21,82	21,82	21,82	21,82

APPLICATIONS

Cable routing / Standard: IEC 61537

MATERIAL

Steel, strip-galv. acc. to the sendzimir method to TS-EN 10346:2011 (PG)
HDG-Steel, hot-dip galv. to TS-EN ISO 1461:2011 (HDG)

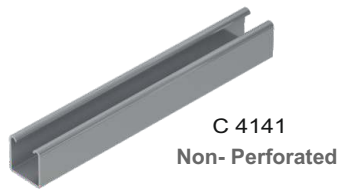
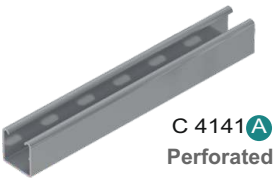
Available finishes:

SS- Stainless steel AISI 304L and 316l (ss)
EP- Powder coating in a full range of colours (RAL)

Thickn. (ga) [mm]: **1,2** 1,5 2,0 2,5

C Channel 41x41

"C" профил



Pre-Galvanised

C 4141A L:3000				
CODE	Thickness T mm	Length L mm	kg 1 m	pcs
C 4141A 15 PG	1,5	3000	1,55	1
C 4141A 20 PG	2,0	3000	2,07	1
C 4141A 25 PG	2,5	3000	2,58	1

Pre-Galvanised

C 4141 L:3000				
CODE	Thickness T mm	Length L mm	kg 1 m	pcs
C 4141 15 PG	1,5	3000	1,65	1
C 4141 20 PG	2,0	3000	2,20	1
C 4141 25 PG	2,5	3000	2,75	1

Hot Dip Galvanised

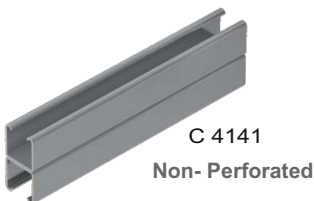
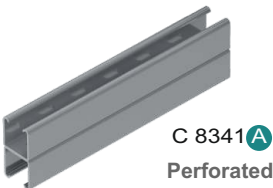
C 4141A L:3000-6000				
CODE	Thickness T mm	Length L mm	kg 1 m	pcs
C 4141A 15 HDG	1,5	3000	1,58	1
C 4141A 20 HDG	2,0	3000	2,11	1
C 4141A 25 HDG	2,5	3000	2,64	1
C 4141A.60 20 HDG	2,0	6000	2,11	1
C 4141A.60 25 HDG	2,5	6000	2,64	1

Hot Dip Galvanised

C 4141 L:3000-6000				
CODE	Thickness T mm	Length L mm	kg 1 m	pcs
C 4141 15 HDG	1,5	3000	1,65	1
C 4141 20 HDG	2,0	3000	2,20	1
C 4141 25 HDG	2,5	3000	2,75	1
C 4141.60 20 HDG	2,0	6000	2,20	1
C 4141.60 25 HDG	2,5	6000	2,75	1

C Double Channel 83x41 (Welded)

"C" профил (83x41) - (заварен)



Hot Dip Galvanised

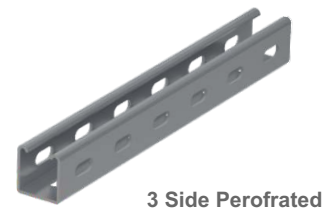
C 8341A L:3000-6000				
CODE	Thickness T mm	Length L mm	kg 1 m	pcs
C 8341A 20 HDG	2,0	3000	4,22	1
C 8341A 25 HDG	2,5	3000	5,28	1
C 8341A.60 20 HDG	2,0	6000	4,22	1
C 8341A.60 25 HDG	2,5	6000	5,28	1

Hot Dip Galvanised

C 8341 L:3000-6000				
CODE	Thickness T mm	Length L mm	kg 1 m	pcs
C 8341 20 HDG	2,0	3000	4,40	1
C 8341 25 HDG	2,5	3000	5,50	1
C 8341.60 20 HDG	2,0	6000	4,40	1
C 8341.60 25 HDG	2,5	6000	5,50	1

C Channel 41x41

Канал "C" (41x41) / 3 странични слота

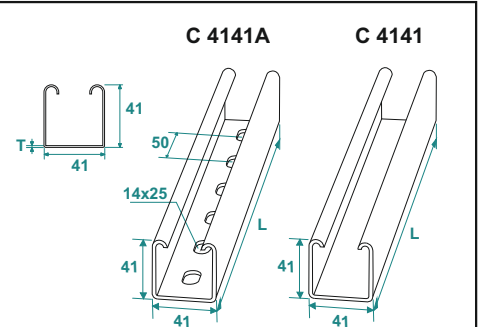


Pre-Galvanised

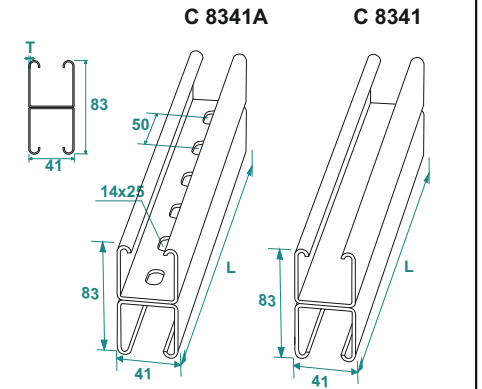
C 4141B L:3000				
CODE	Thickness T mm	Length L mm	kg 1 m	pcs
C 4141B 15 PG	1,5	3000	1,41	1
C 4141B 20 PG	2,0	3000	1,88	1
C 4141B 25 PG	2,5	3000	2,35	1

Hot Dip Galvanised

C 4141B L:3000				
CODE	Thickness T mm	Length L mm	kg 1 m	pcs
C 4141B 15 HDG	1,5	3000	1,48	1
C 4141B 20 HDG	2,0	3000	1,98	1
C 4141B 25 HDG	2,5	3000	2,47	1

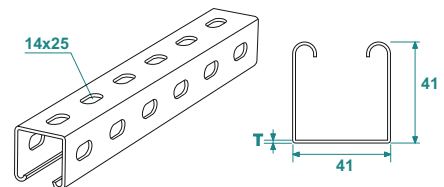


C 4141A	Unit	Z - Z AXIS			Y - Y AXIS		
		1,5	2,0	2,5	1,5	2,0	2,5
Moment of Inertia	cm ⁴	5,68	6,99	8,67	3,87	4,59	5,87
Section Modulus	cm ³	3,58	4,26	5,18	1,76	2,18	2,72
Allowable Bending Stress	kN/cm ²	21,82	21,82	21,82	21,82	21,82	21,82



C 8341A	Unit	Z - Z AXIS		Y - Y AXIS	
		2,0	2,5	2,0	2,5
Moment of Inertia	cm ⁴	14,04	17,56	26,81	34,08
Section Modulus	cm ³	6,82	8,94	6,62	8,31
Allowable Bending Stress	kN/cm ²	21,82	21,82	21,82	21,82

C 4141 B



APPLICATIONS

Cable routing / Standard: IEC 61537

MATERIAL

Steel, strip-galv. acc. to the sendzimir method to TS-EN 10346:2011 (PG)
HDG-Steel, hot-dip galv. to TS-EN ISO 1461:2011 (HDG)

Available finishes:

SS- Stainless steel AISI 304L and 316L (ss)
EP- Powder coating in a full range of colours (RAL)

Thickn. (ga) [mm]: **1,5** 2,0 2,5

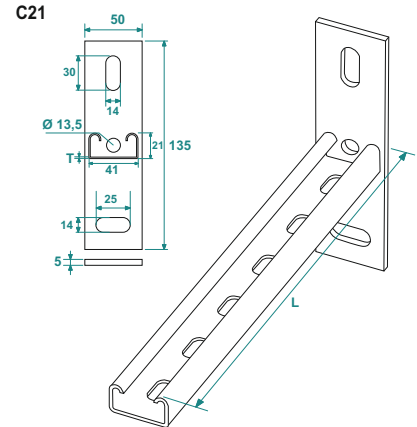
C Channel 21x41 Bracket

Скоба на "С" канал (21x41)



Hot Dip Galvanised

C21		2.5mm			
CODE	Thickness T mm	Length L mm	kg 1 pc	pcs	
C21 100 25 HDG	2.5	100	0.47	1	
C21 150 25 HDG	2.5	150	0.57	1	
C21 200 25 HDG	2.5	200	0.67	1	
C21 250 25 HDG	2.5	250	0.77	1	
C21 300 25 HDG	2.5	300	0.87	1	
C21 350 25 HDG	2.5	350	0.97	1	
C21 400 25 HDG	2.5	400	1.07	1	
C21 450 25 HDG	2.5	450	1.17	1	



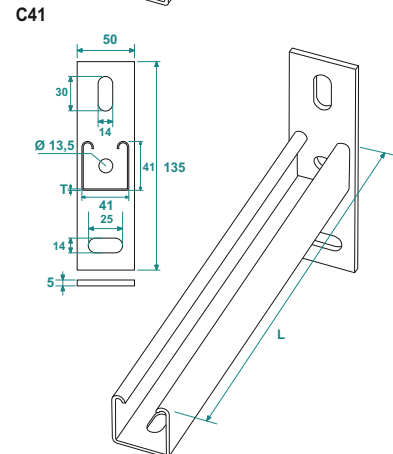
C Channel 41x41 Bracket

Скоба на "С" канал (41x41)



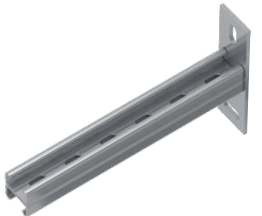
Hot Dip Galvanised

C41		2.5mm			
CODE	Thickness T mm	Length L mm	kg 1 pc	pcs	
C41 100 25 HDG	2.5	100	0.55	1	
C41 150 25 HDG	2.5	150	0.69	1	
C41 200 25 HDG	2.5	200	0.82	1	
C41 250 25 HDG	2.5	250	0.96	1	
C41 300 25 HDG	2.5	300	1.10	1	
C41 350 25 HDG	2.5	350	1.24	1	
C41 400 25 HDG	2.5	400	1.38	1	
C41 450 25 HDG	2.5	450	1.51	1	
C41 500 25 HDG	2.5	500	1.65	1	
C41 550 25 HDG	2.5	550	1.79	1	
C41 600 25 HDG	2.5	600	1.93	1	
C41 650 25 HDG	2.5	650	2.06	1	
C41 700 25 HDG	2.5	700	2.20	1	
C41 750 25 HDG	2.5	750	2.34	1	
C41 800 25 HDG	2.5	800	2.47	1	
C41 900 25 HDG	2.5	900	2.60	1	



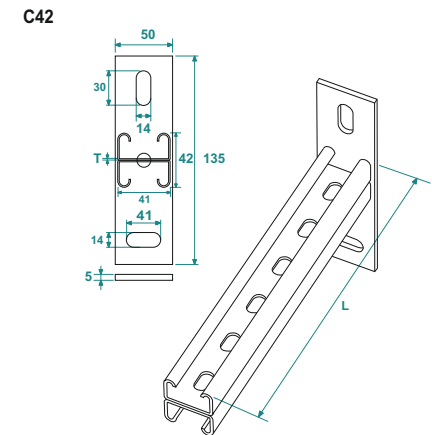
C Channel 42x41 Bracket

Скоба на "С" канал (42x41)



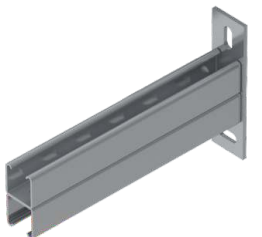
Hot Dip Galvanised

C42		2.5mm			
CODE	Thickness T mm	Length L mm	kg 1 pc	pcs	
C42 200 25 HDG	2.5	200	1.07	1	
C42 300 25 HDG	2.5	300	1.46	1	
C42 350 25 HDG	2.5	350	1.66	1	
C42 400 25 HDG	2.5	400	1.86	1	
C42 450 25 HDG	2.5	450	2.06	1	
C42 500 25 HDG	2.5	500	2.26	1	
C42 550 25 HDG	2.5	550	2.46	1	
C42 600 25 HDG	2.5	600	2.65	1	
C42 650 25 HDG	2.5	650	2.85	1	
C42 700 25 HDG	2.5	700	3.05	1	
C42 750 25 HDG	2.5	750	3.25	1	
C42 800 25 HDG	2.5	800	3.45	1	
C42 900 25 HDG	2.5	900	3.65	1	



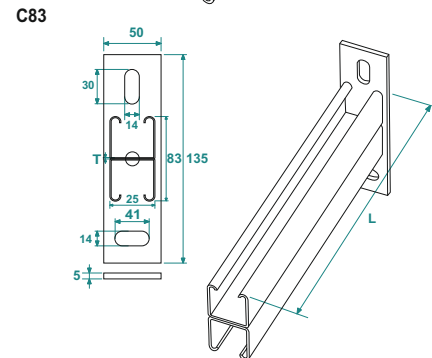
C Double Channel 83x41 Bracket

Скоба на "С" канал (83x41)



Hot Dip Galvanised

C83		2.5mm			
CODE	Thickness T mm	Length L mm	kg 1 pc	pcs	
C83 200 25 HDG	2.5	200	1.38	1	
C83 300 25 HDG	2.5	300	1.93	1	
C83 350 25 HDG	2.5	350	2.20	1	
C83 400 25 HDG	2.5	400	2.48	1	
C83 450 25 HDG	2.5	450	2.75	1	
C83 500 25 HDG	2.5	500	3.02	1	
C83 550 25 HDG	2.5	550	3.30	1	
C83 600 25 HDG	2.5	600	3.58	1	
C83 650 25 HDG	2.5	650	3.85	1	
C83 700 25 HDG	2.5	700	4.13	1	
C83 750 25 HDG	2.5	750	4.40	1	
C83 800 25 HDG	2.5	800	4.67	1	
C83 850 25 HDG	2.5	850	4.95	1	
C83 900 25 HDG	2.5	900	5.23	1	
C83 950 25 HDG	2.5	950	5.50	1	
C83 1000 25 HDG	2.5	1000	5.78	1	
C83 1050 25 HDG	2.5	1050	6.05	1	



APPLICATIONS

Cable routing / Standard: IEC 61537

MATERIAL

Steel, strip-galv. acc. to TS-EN ISO 1461:2011 (HDG)

Available finishes:

EG- Electro-galvanised (8-12 Micron) EN ISO 2081

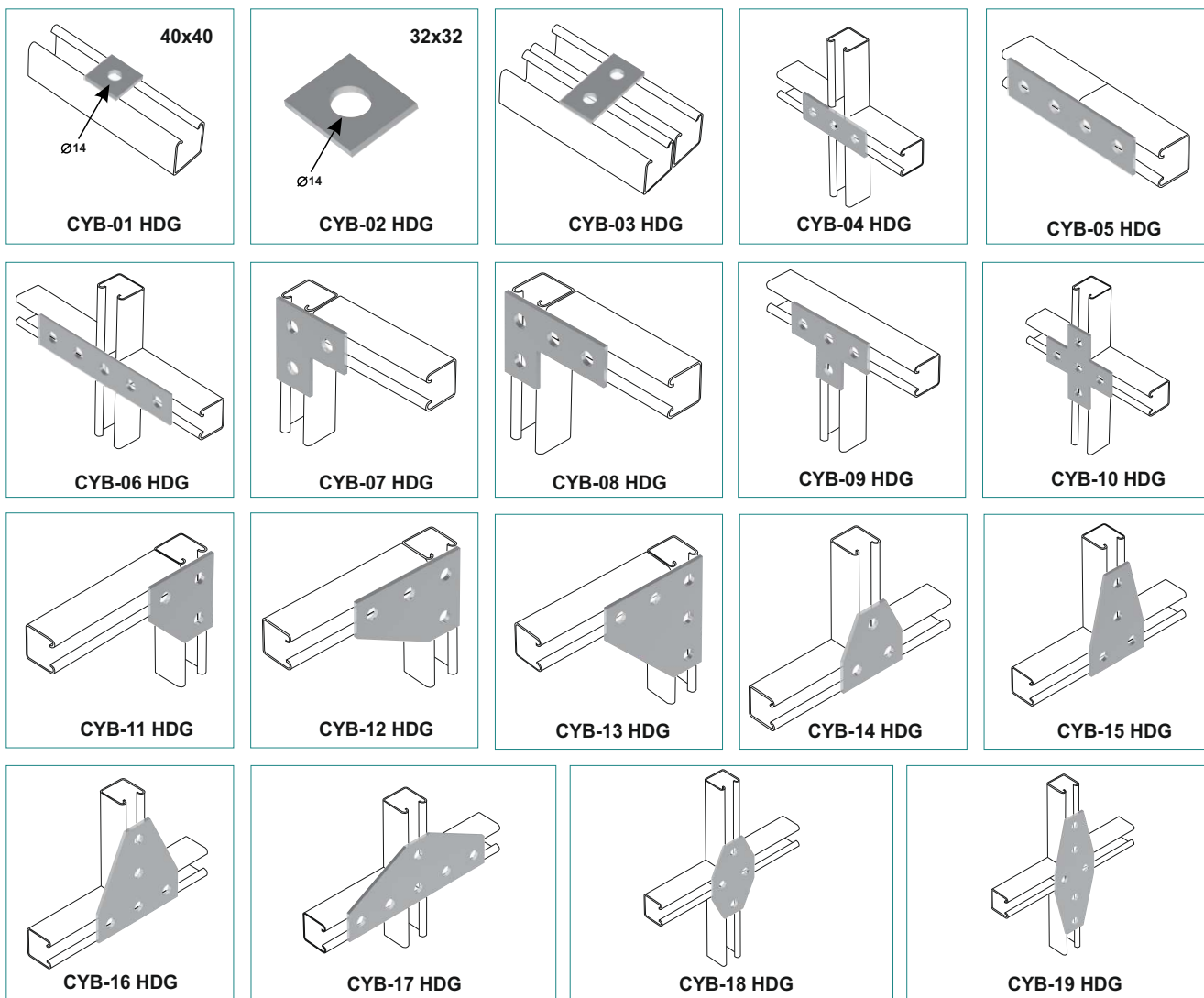
SS- Stainless steel AISI 304L and 316L (SS)

EP- Powder coating in a full range of colours (RAL)

Thickn. (ga) [mm]: **2.0 2.5**

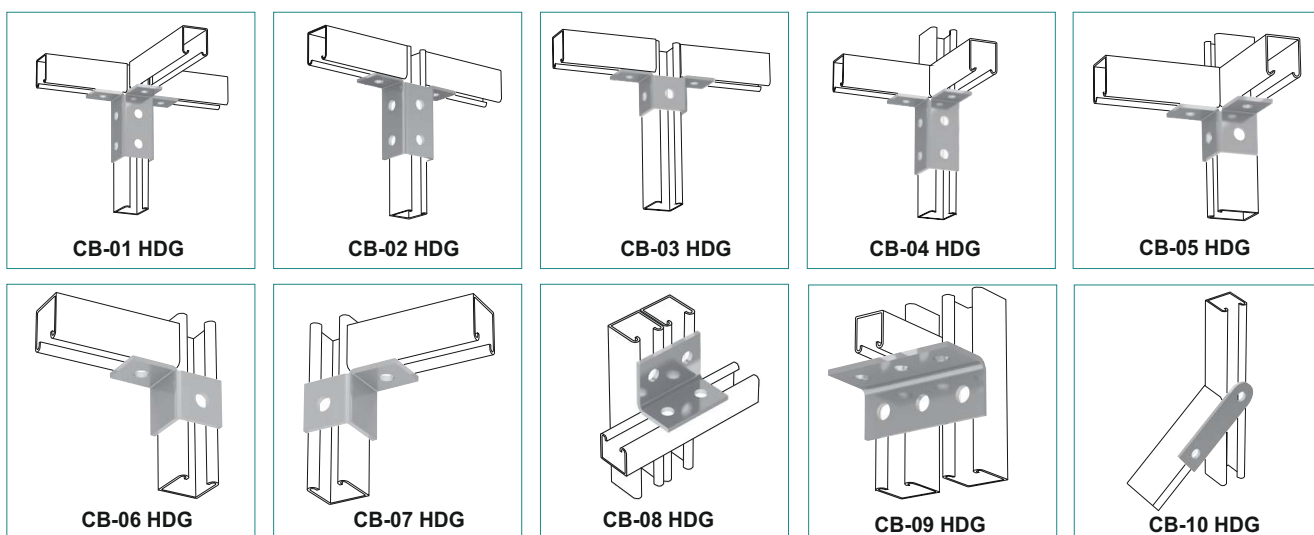
C Channel Flat Fitting

"C" профил плосък обков



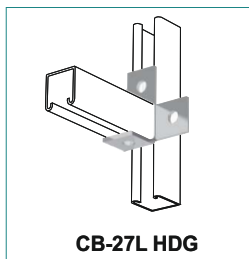
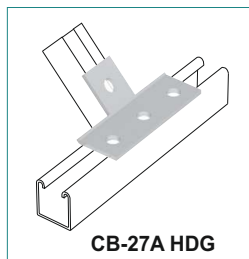
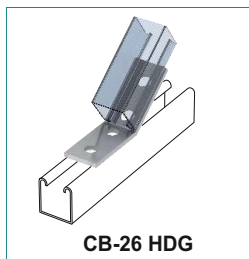
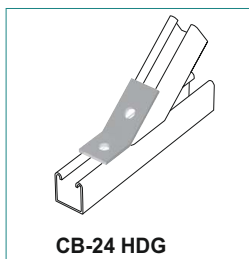
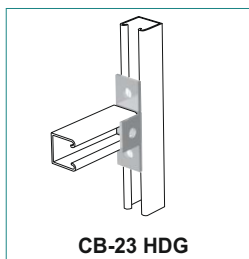
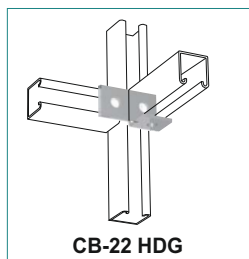
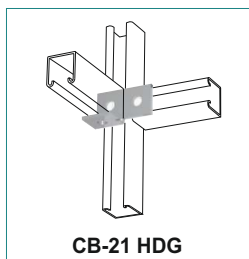
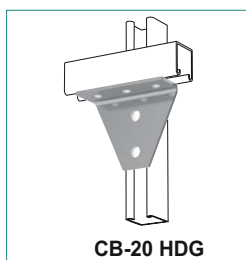
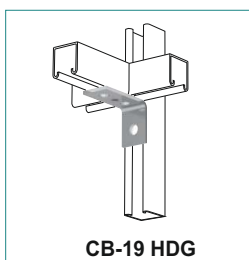
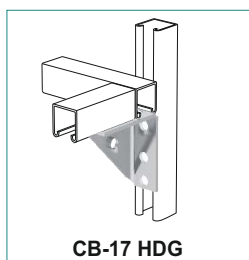
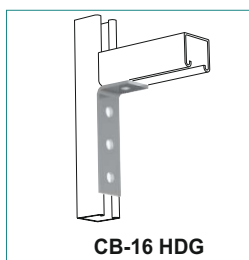
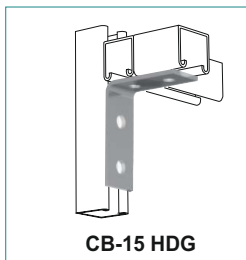
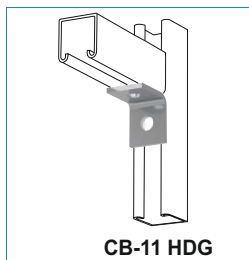
C Channel Angle Fitting

"C" Профилен ъглов обков



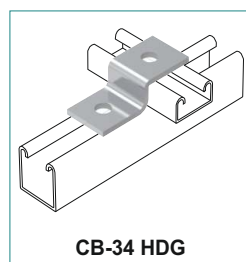
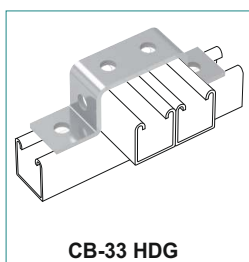
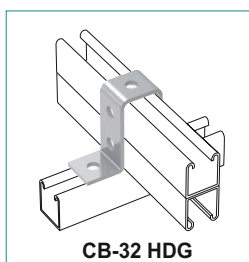
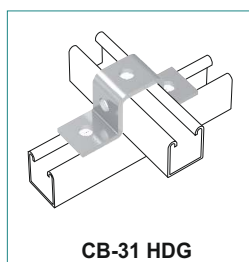
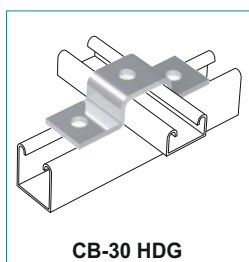
C Channel Corner Fittings

Ъглови фитинги "С" профил.



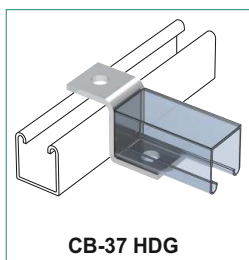
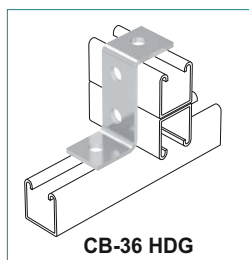
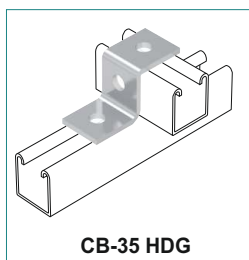
C Channel U and Z Fitting

U и Z фитинги на "С" профил



C Channel U and Z Fitting

U и Z обков от "С" профил



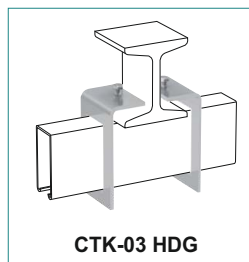
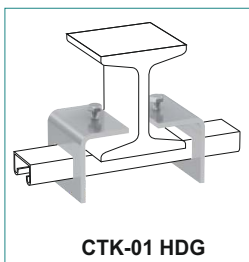
C Channel U Fitting (Clevis)

C Profil U Bağlantı Elemanı (Clevis) - U крепеж к С профилю



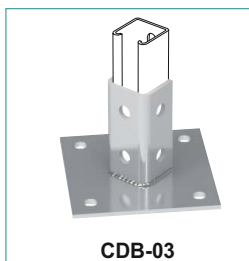
C Channel Coupler and Clamps

Съединители и скоби от "С" профил



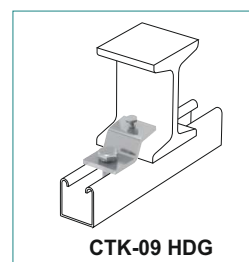
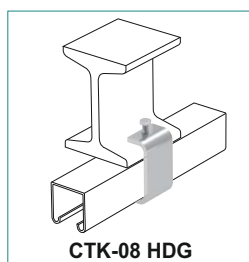
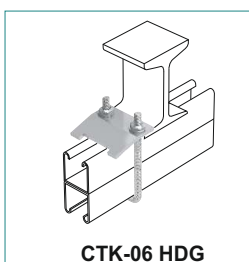
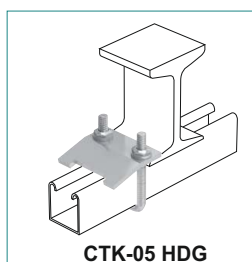
C Channel Support Base

Поддържаща основа на "С" профил



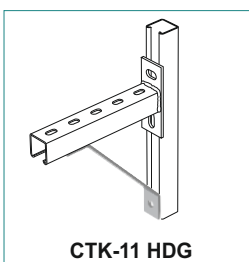
C Channel Clamps

Скоби от "С" профил



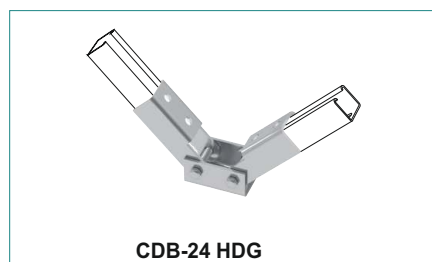
C Channel Bracket Support Plate

Скоби за канали за опорна плоча на "С" профил



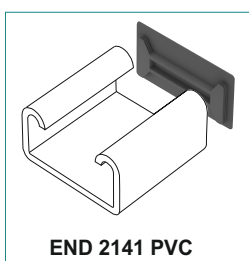
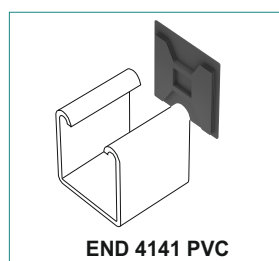
C Channel Adjustable Brace Fitting Base

Регулируема основа за скоба от "С" профил



Plastic End Cup for C Channel

Пластмасова крайна чаша за "С" профил



C Channel Spring Nut and Fixing Bolt

Пружинна гайка и фиксиращ болт на "С" профил

