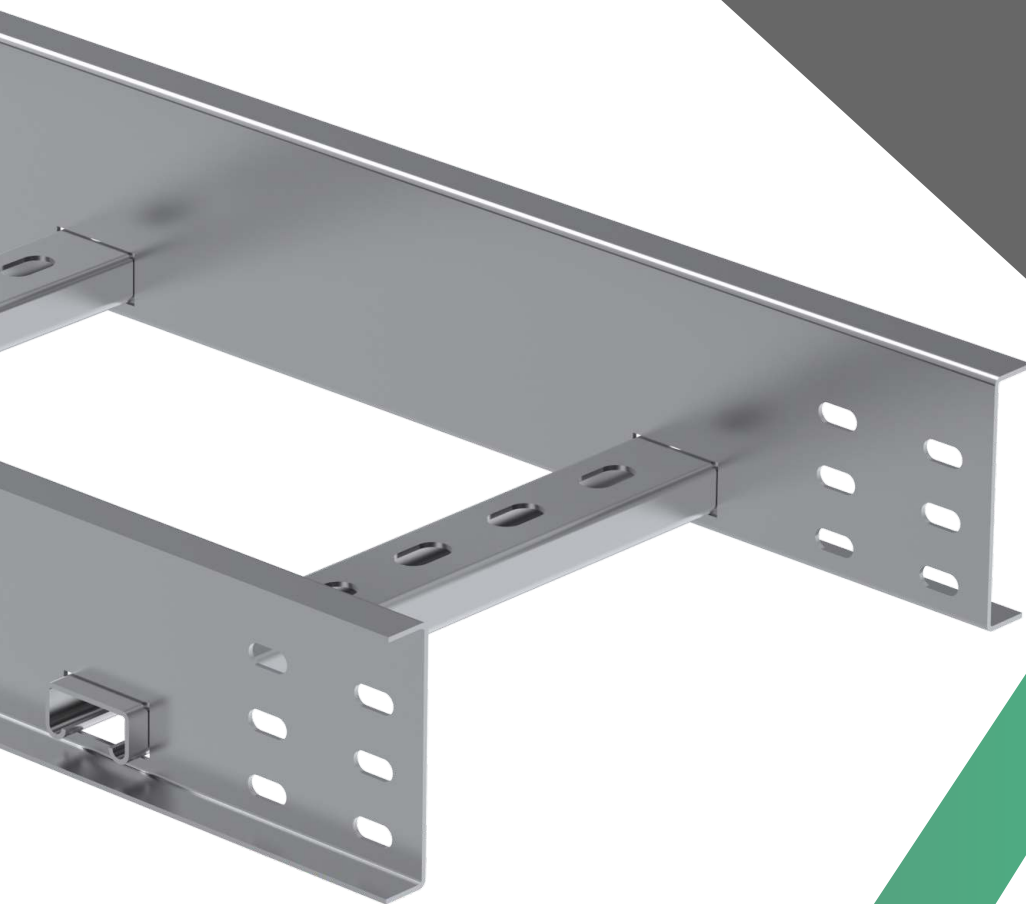




ЕНЕРДЖИ ГРУП ООД

Системи за кабелна стълба



**CABLE LADDER
SYSTEMS**

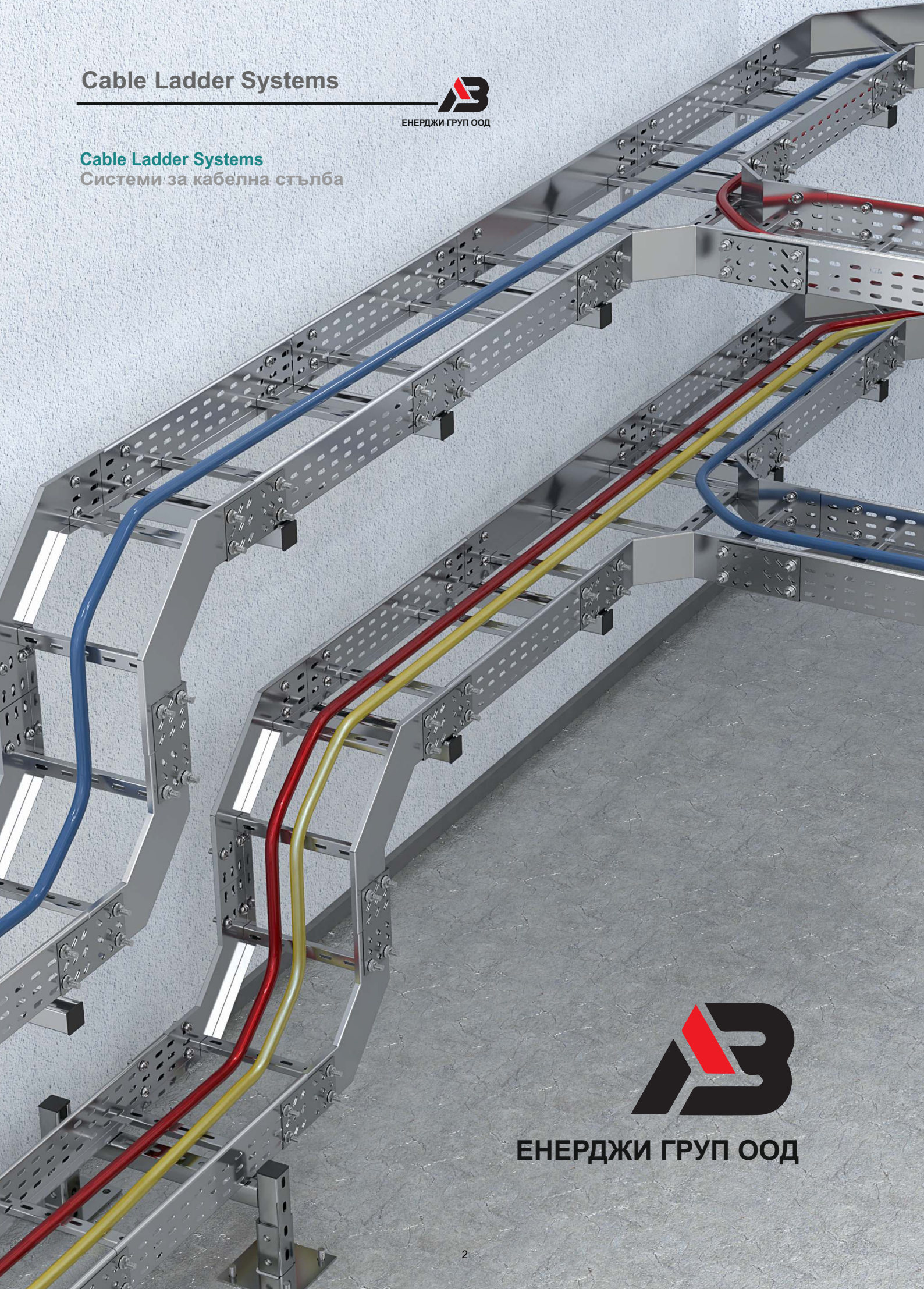
Системи за електрически кабелни скари

**www.abelectric.bg
www.abenergygroup.bg**

Cable Ladder Systems



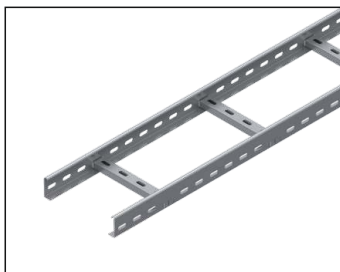
Cable Ladder Systems
Системи за кабелна стълба



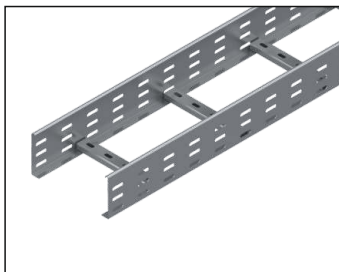
ЕНЕРДЖИ ГРУП ООД

Cable Ladder Systems

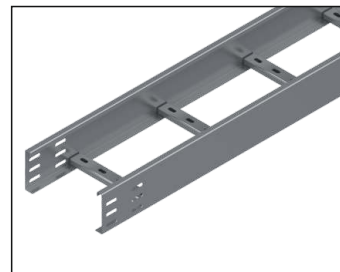
Системи за кабелна стълба



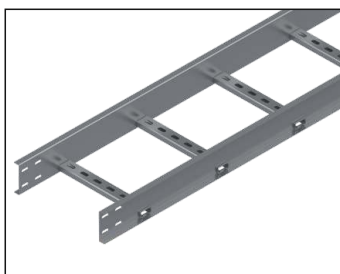
PKM



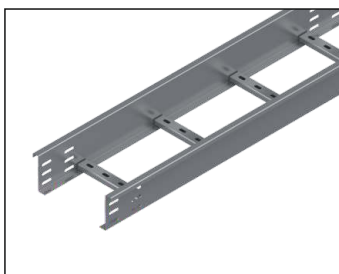
SKM



UKM



CKM



ZKM



FKM

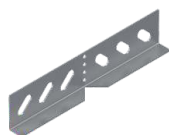
Accessories

Straight Connector
прав конектор



KBE

Adjustable horizontal connector
Регулируем хоризонтален конектор



BYD

Adjustable Vertical Connector
Регулируем вертикален конектор



BDD

Reducer Connector - Single Type
Конектор за редуктор



RT

Barrier Strip
Барьерна лента



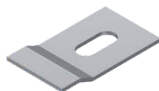
SEP

Stop End
Завършващо парче



SON

Fixing unit
Фиксираща единица



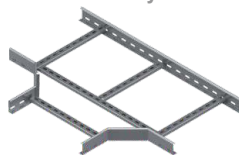
MT/1

90° Hor. Ladder bend
90° Хоризонтална стълба



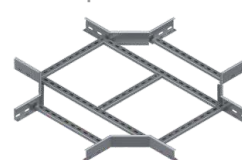
PM90

Tee Hor. Ladder bend
Тройник Хоризонтална стълба чупка.



PMT

Cross bend cover
Капак с кръстосано огъване



PMD

Vertical inside 90° Ladder bend
Вертикална вътрешна 90° стълба



PMIS

Vertical outside 90° Ladder bend
Вертикална външна стълба от 90°



PMDS

Vertical inside 45° Ladder bend
Вертикална вътрешна 45° стълба



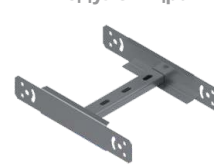
PMIS45

Vertical outside 45° Ladder bend
Вертикална външна стълба от 45°



PMDS45

Modular Riser
Модулен щранг.



PMMB

Cable Ladder Systems of Side Height H50



ЕНЕРДЖИ ГРУП ООД

Cable Ladder

Кабелна стълба



Important!
Joining cable tray sections together only through the use of couplers 2 pcs for 1 Length
To install cable tray - straight use Screw Sets CFS M6 or CFS M8

Pre - Galvanised

PKM ...	H50...		1.2mm		
CODE	Width W mm	Length L mm	kg 1m	pcs	
PKM 510 12 PG	100	3000	1.38	2	
PKM 515 12 PG	150	3000	1.47	2	
PKM 520 12 PG	200	3000	1.56	2	
PKM 525 12 PG	250	3000	1.65	2	
PKM 530 12 PG	300	3000	1.73	2	
PKM 540 12 PG	400	3000	1.91	2	
PKM 545 12 PG	450	3000	2.00	2	
PKM 550 12 PG	500	3000	2.08	2	
PKM 560 12 PG	600	3000	2.26	2	

PKM ...	H50...		1.5mm		
CODE	Width W mm	Length L mm	kg 1m	pcs	
PKM 510 15 PG	100	3000	1.73	2	
PKM 515 15 PG	150	3000	1.84	2	
PKM 520 15 PG	200	3000	1.95	2	
PKM 525 15 PG	250	3000	2.06	2	
PKM 530 15 PG	300	3000	2.17	2	
PKM 540 15 PG	400	3000	2.39	2	
PKM 545 15 PG	450	3000	2.50	2	
PKM 550 15 PG	500	3000	2.61	2	
PKM 560 15 PG	600	3000	2.83	2	

Cable Ladder

Кабелна стълба



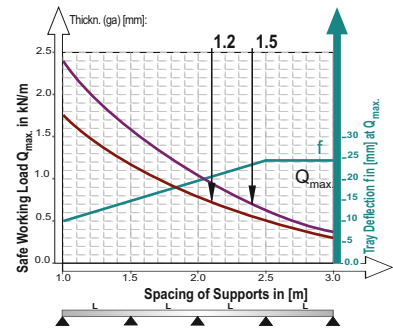
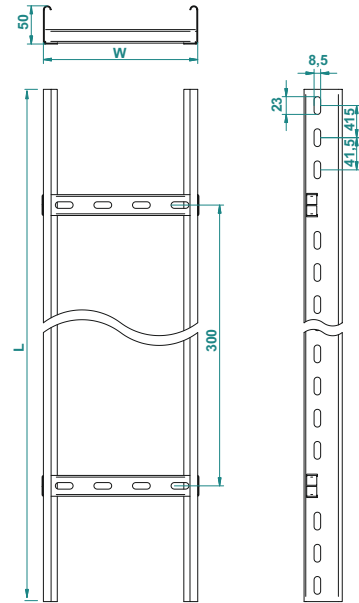
Important!
To instal cable tray - bend use Screw Sets CFS M6 or CFS M8

Integrated Type Pre - Galvanised

FKM ...	H50...		1.2mm		
CODE	Width W mm	Length L mm	kg 1m	pcs	
FKM 510 12 PG	100	3000	1.38	2	
FKM 515 12 PG	150	3000	1.47	2	
FKM 520 12 PG	200	3000	1.56	2	
FKM 525 12 PG	250	3000	1.65	2	
FKM 530 12 PG	300	3000	1.73	2	
FKM 540 12 PG	400	3000	1.91	2	
FKM 545 12 PG	450	3000	2.00	2	
FKM 550 12 PG	500	3000	2.08	2	
FKM 560 12 PG	600	3000	2.26	2	

FKM ...	H50...		1.5mm		
CODE	Width W mm	Length L mm	kg 1m	pcs	
FKM 510 15 PG	100	3000	1.73	2	
FKM 515 15 PG	150	3000	1.84	2	
FKM 520 15 PG	200	3000	1.95	2	
FKM 525 15 PG	250	3000	2.06	2	
FKM 530 15 PG	300	3000	2.17	2	
FKM 540 15 PG	400	3000	2.39	2	
FKM 545 15 PG	450	3000	2.50	2	
FKM 550 15 PG	500	3000	2.61	2	
FKM 560 15 PG	600	3000	2.83	2	

PKM H50

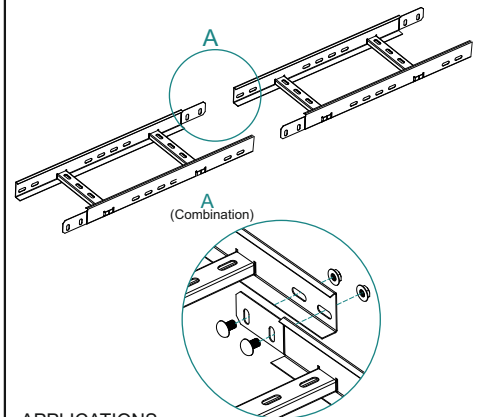


This diagram comply with IEC 61537 with connection to 1/5 of the span and the end span = 0,8x the span

Q = max. admissible load (kg/m)
L = support distance (m)
f = Deflection (mm) / Max. deflection = L/100
Safety co-efficient = 1.5

FKM H50

Quick Fixing Method (without coupler)



APPLICATIONS
Cable routing

MATERIAL
Steel, strip-galv. acc. to the Sendzimir method to TS-EN 10346:2011 (PG)

Available finishes:
HDG-steel, hot-dip galv. to TS-EN ISO 1461:2011 (HDG)
SS- stainless steel AISI 304L and AISI 316L (SS)
EP- powder coating in a full range of colours (RAL)

Thickn. (ga) [mm]: 1.2 1.5

Cable Ladder Systems of Side Height H50



ЕНЕРДЖИ ГРУП ООД

90° Horizontal Bend of Cable Ladder

90° Хоризонтално огъване на кабелна стълба



Integrated Type

Important!
Joining cable tray sections together only through the use of couplers and Screw Sets CFS M6 or CFS M8

Important!
To instal cable tray - bend use Screw Sets CFS M6 or CFS M8

Pre - Galvanised

PM90 ...	H50...	1.2mm		
CODE	Width W a=b	kg 1 pc	kg 1 pc	pcs
PM90 510 12 PG	100	0.74		1
PM90 515 12 PG	150	0.89		1
PM90 520 12 PG	200	1.03		1
PM90 525 12 PG	250	1.18		1
PM90 530 12 PG	300	1.32		1
PM90 540 12 PG	400	1.62		1
PM90 545 12 PG	450	1.76		1
PM90 550 12 PG	500	1.91		1
PM90 560 12 PG	600	2.21		1

		1.5mm		
CODE	Width W a=b	kg 1 pc	kg 1 pc	pcs
PM90 510 15 PG	100	0.93		1
PM90 515 15 PG	150	1.10		1
PM90 520 15 PG	200	1.29		1
PM90 525 15 PG	250	1.47		1
PM90 530 15 PG	300	1.66		1
PM90 540 15 PG	400	2.02		1
PM90 545 15 PG	450	2.20		1
PM90 550 15 PG	500	2.39		1
PM90 560 15 PG	600	2.75		1

Pre - Galvanised

MF90 ...	H50...	1.2mm		
CODE	Width W a=b	kg 1 pc	kg 1 pc	pcs
MF90 510 12 PG	100	0.74		1
MF90 515 12 PG	150	0.89		1
MF90 520 12 PG	200	1.03		1
MF90 525 12 PG	250	1.18		1
MF90 530 12 PG	300	1.32		1
MF90 540 12 PG	400	1.62		1
MF90 545 12 PG	450	1.76		1
MF90 550 12 PG	500	1.91		1
MF90 560 12 PG	600	2.21		1

		1.5mm		
CODE	Width W a=b	kg 1 pc	kg 1 pc	pcs
MF90 510 15 PG	100	0.93		1
MF90 515 15 PG	150	1.10		1
MF90 520 15 PG	200	1.29		1
MF90 525 15 PG	250	1.47		1
MF90 530 15 PG	300	1.66		1
MF90 540 15 PG	400	2.02		1
MF90 545 15 PG	450	2.20		1
MF90 550 15 PG	500	2.39		1
MF90 560 15 PG	600	2.75		1

45° Horizontal Bend of Cable Ladder

45° Хоризонтално огъване на кабелна стълба



Integrated Type

Important!
Joining cable tray sections together only through the use of couplers and Screw Sets CFS M6 or CFS M8

Important!
To instal cable tray - bend use Screw Sets CFS M6 or CFS M8

Pre - Galvanised

PM45 ...	H50...	1.2mm		
CODE	Width W a=b	kg 1 pc	kg 1 pc	pcs
PM45 510 12 PG	100	0.66		1
PM45 515 12 PG	150	0.74		1
PM45 520 12 PG	200	0.83		1
PM45 525 12 PG	250	0.91		1
PM45 530 12 PG	300	1.00		1
PM45 540 12 PG	400	1.17		1
PM45 545 12 PG	450	1.26		1
PM45 550 12 PG	500	1.34		1
PM45 560 12 PG	600	1.52		1

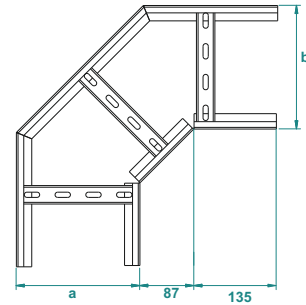
		1.5mm		
CODE	Width W a=b	kg 1 pc	kg 1 pc	pcs
PM45 510 15 PG	100	0.82		1
PM45 515 15 PG	150	0.93		1
PM45 520 15 PG	200	1.03		1
PM45 525 15 PG	250	1.15		1
PM45 530 15 PG	300	1.25		1
PM45 540 15 PG	400	1.46		1
PM45 545 15 PG	450	1.58		1
PM45 550 15 PG	500	1.68		1
PM45 560 15 PG	600	1.90		1

Pre - Galvanised

MF45 ...	H50...	1.2mm		
CODE	Width W a=b	kg 1 pc	kg 1 pc	pcs
MF45 510 12 PG	100	0.66		1
MF45 515 12 PG	150	0.74		1
MF45 520 12 PG	200	0.83		1
MF45 525 12 PG	250	0.91		1
MF45 530 12 PG	300	1.00		1
MF45 540 12 PG	400	1.17		1
MF45 545 12 PG	450	1.26		1
MF45 550 12 PG	500	1.34		1
MF45 560 12 PG	600	1.52		1

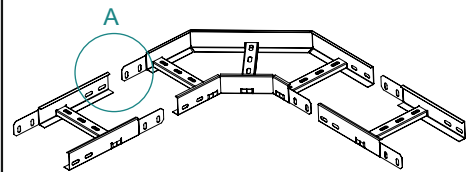
		1.5mm		
CODE	Width W a=b	kg 1 pc	kg 1 pc	pcs
MF45 510 15 PG	100	0.82		1
MF45 515 15 PG	150	0.93		1
MF45 520 15 PG	200	1.03		1
MF45 525 15 PG	250	1.15		1
MF45 530 15 PG	300	1.25		1
MF45 540 15 PG	400	1.46		1
MF45 545 15 PG	450	1.58		1
MF45 550 15 PG	500	1.68		1
MF45 560 15 PG	600	1.90		1

PM90 H50

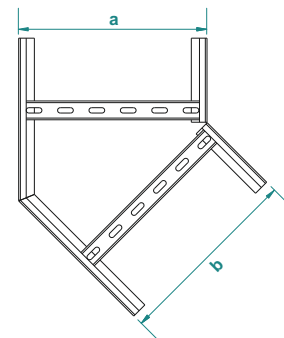


MF90 H50

Quick Fixing Method (without coupler)

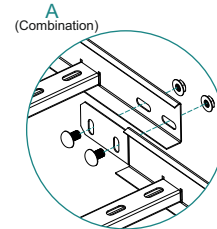
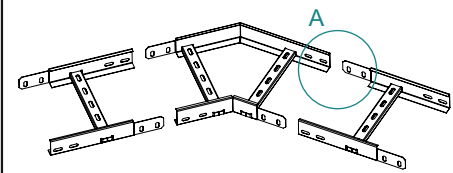


PM45 H50



MF45 H50

Quick Fixing Method (without coupler)



APPLICATIONS

Cable routing

MATERIAL

Steel, strip-galv. acc. to the Sendzimir method to TS-EN 10346:2011 (PG)

Available finishes:

HDG-steel, hot-dip galv. to TS-EN ISO 1461:2011 (HDG)
SS- stainless steel AISI 304L and AISI 316L (SS)
EP- powder coating in a full range of colours (RAL)

Thickn. (ga) [mm]: 1.2 | 1.5

Tee Horizontal Bend of Cable Ladder

T-образно хоризонтално огъване на кабелна стълба



Important!

Joining cable tray sections together only through the use of couplers and Screw Sets CFS M6 or CFS M8

Integrated Type

Important!

To instal cable tray - bend use Screw Sets CFS M6 or CFS M8

Pre - Galvanised

PMT ...	H50...	1.2mm		
CODE	Width W a=b=c	kg 1 pc	pcs	
PMT 510 12 PG	100	0.94	1	
PMT 515 12 PG	150	1.07	1	
PMT 520 12 PG	200	1.20	1	
PMT 525 12 PG	250	1.56	1	
PMT 530 12 PG	300	1.72	1	
PMT 540 12 PG	400	2.31	1	
PMT 545 12 PG	450	2.51	1	
PMT 550 12 PG	500	2.71	1	
PMT 560 12 PG	600	3.09	1	
		1.5mm		
PMT 510 15 PG	100	1.13	1	
PMT 515 15 PG	150	1.26	1	
PMT 520 15 PG	200	1.40	1	
PMT 525 15 PG	250	1.77	1	
PMT 530 15 PG	300	1.94	1	
PMT 540 15 PG	400	2.54	1	
PMT 545 15 PG	450	2.75	1	
PMT 550 15 PG	500	2.95	1	
PMT 560 15 PG	600	3.36	1	

Pre - Galvanised

MFT ...	H50...	1.2mm		
CODE	Width W a=b=c	kg 1 pc	pcs	
MFT 510 12 PG	100	0.94	1	
MFT 515 12 PG	150	1.07	1	
MFT 520 12 PG	200	1.20	1	
MFT 525 12 PG	250	1.56	1	
MFT 530 12 PG	300	1.72	1	
MFT 540 12 PG	400	2.31	1	
MFT 545 12 PG	450	2.51	1	
MFT 550 12 PG	500	2.71	1	
MFT 560 12 PG	600	3.09	1	
		1.5mm		
MFT 510 15 PG	100	1.13	1	
MFT 515 15 PG	150	1.26	1	
MFT 520 15 PG	200	1.40	1	
MFT 525 15 PG	250	1.77	1	
MFT 530 15 PG	300	1.94	1	
MFT 540 15 PG	400	2.54	1	
MFT 545 15 PG	450	2.75	1	
MFT 550 15 PG	500	2.95	1	
MFT 560 15 PG	600	3.36	1	

Cross Bend of Cable Ladder

Напречно огъване на кабелна стълба



Important!

Joining cable tray sections together only through the use of couplers and Screw Sets CFS M6 or CFS M8

Integrated Type

Important!

To instal cable tray - bend use Screw Sets CFS M6 OR CFS M8

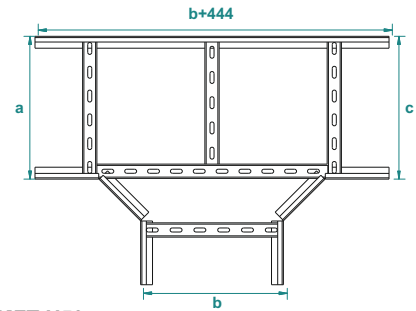
Pre - Galvanised

PMD ...	H50...	1.2mm		
CODE	Width W a=b=c=d	kg 1 pc	pcs	
PMD 510 12 PG	100	1.16	1	
PMD 515 12 PG	150	1.29	1	
PMD 520 12 PG	200	1.42	1	
PMD 525 12 PG	250	1.79	1	
PMD 530 12 PG	300	1.95	1	
PMD 540 12 PG	400	2.28	1	
PMD 545 12 PG	450	2.81	1	
PMD 550 12 PG	500	3.00	1	
PMD 560 12 PG	600	3.40	1	
		1.5mm		
PMD 510 15 PG	100	1.38	1	
PMD 515 15 PG	150	1.51	1	
PMD 520 15 PG	200	1.64	1	
PMD 525 15 PG	250	2.00	1	
PMD 530 15 PG	300	2.17	1	
PMD 540 15 PG	400	2.50	1	
PMD 545 15 PG	450	3.02	1	
PMD 550 15 PG	500	3.22	1	
PMD 560 15 PG	600	3.62	1	

Pre - Galvanised

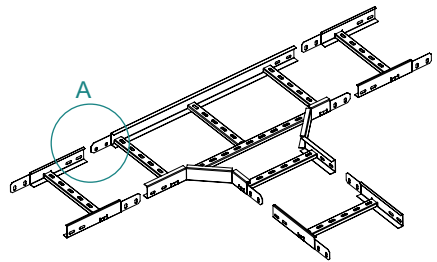
MFD ...	H50...	1.2mm		
CODE	Width W a=b=c=d	kg 1 pc	pcs	
MFD 510 12 PG	100	1.16	1	
MFD 515 12 PG	150	1.29	1	
MFD 520 12 PG	200	1.42	1	
MFD 525 12 PG	250	1.79	1	
MFD 530 12 PG	300	1.95	1	
MFD 540 12 PG	400	2.28	1	
MFD 545 12 PG	450	2.81	1	
MFD 550 12 PG	500	3.00	1	
MFD 560 12 PG	600	3.40	1	
		1.5mm		
MFD 510 15 PG	100	1.38	1	
MFD 515 15 PG	150	1.51	1	
MFD 520 15 PG	200	1.64	1	
MFD 525 15 PG	250	2.00	1	
MFD 530 15 PG	300	2.17	1	
MFD 540 15 PG	400	2.50	1	
MFD 545 15 PG	450	3.02	1	
MFD 550 15 PG	500	3.22	1	
MFD 560 15 PG	600	3.62	1	

PMT H50

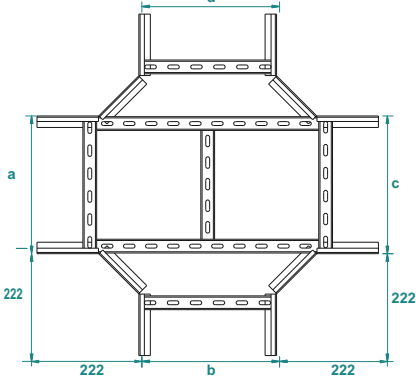


MFT H50

Quick Fixing Method (without coupler)

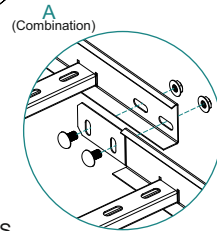
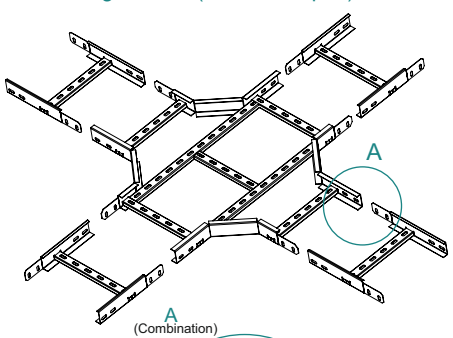


PMD H50



MFD H50

Quick Fixing Method (without coupler)



APPLICATIONS

Cable routing

MATERIAL

Steel, strip-galv. acc. to the Sendzimir method to TS-EN 10346:2011 (PG)

Available finishes:

HDG-steel, hot-dip galv. to TS-EN ISO 1461:2011 (HDG)

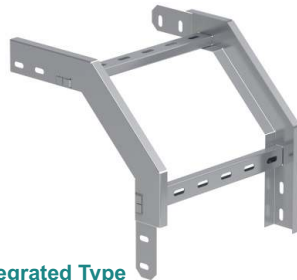
SS- stainless steel AISI 304L and AISI 316L (SS)

EP- powder coating in a full range of colours (RAL)

Thickn. (ga) [mm]: **1.2 1.5**

Vertical 90° Outside Bend of Cable Ladder (Stable)

Вертикално 90° външно огъване на кабелна стълба (стабилна)



Integrated Type

Important!

Joining cable tray sections together only through the use of couplers and Screw Sets CFS M6 or CFS M8

Important!

To instal cable tray - bend use Screw Sets CFS M6 or CFS M8

Pre - Galvanised

PMDS ...	H50...	1.2mm		
CODE	Width W a mm	KG 1 pc	pcs	
PMDS 510 12 PG	100	0.88	1	
PMDS 515 12 PG	150	1.96	1	
PMDS 520 12 PG	200	1.04	1	
PMDS 525 12 PG	250	1.12	1	
PMDS 530 12 PG	300	1.19	1	
PMDS 540 12 PG	400	1.54	1	
PMDS 545 12 PG	450	1.62	1	
PMDS 550 12 PG	500	1.70	1	
PMDS 560 12 PG	600	1.85	1	

		1.5mm		
CODE	Width W a mm	KG 1 pc	pcs	
PMDS 510 15 PG	100	1.10	1	
PMDS 515 15 PG	150	1.20	1	
PMDS 520 15 PG	200	1.30	1	
PMDS 525 15 PG	250	1.40	1	
PMDS 530 15 PG	300	1.50	1	
PMDS 540 15 PG	400	1.92	1	
PMDS 545 15 PG	450	2.02	1	
PMDS 550 15 PG	500	2.12	1	
PMDS 560 15 PG	600	2.31	1	

Pre - Galvanised

MFDS ...	H50...	1.2mm		
CODE	Width W a mm	KG 1 pc	pcs	
MFDS 510 12 PG	100	0.88	1	
MFDS 515 12 PG	150	1.96	1	
MFDS 520 12 PG	200	1.04	1	
MFDS 525 12 PG	250	1.12	1	
MFDS 530 12 PG	300	1.19	1	
MFDS 540 12 PG	400	1.54	1	
MFDS 545 12 PG	450	1.62	1	
MFDS 550 12 PG	500	1.70	1	
MFDS 560 12 PG	600	1.85	1	

		1.5mm		
CODE	Width W a mm	KG 1 pc	pcs	
MFDS 510 15 PG	100	1.10	1	
MFDS 515 15 PG	150	1.20	1	
MFDS 520 15 PG	200	1.30	1	
MFDS 525 15 PG	250	1.40	1	
MFDS 530 15 PG	300	1.50	1	
MFDS 540 15 PG	400	1.92	1	
MFDS 545 15 PG	450	2.02	1	
MFDS 550 15 PG	500	2.12	1	
MFDS 560 15 PG	600	2.31	1	

Vertical 90° Inside Bend of Cable Ladder (Stable)

Вертикално 90° огъване от вътрешната страна на кабелна стълба (стабилно)



Integrated Type

Important!

Joining cable tray sections together only through the use of couplers and Screw Sets CFS M6 or CFS M8

Important!

To instal cable tray - bend use Screw Sets CFS M6 OR CFS M8

Pre - Galvanised

PMIS...	H50...	1.2mm		
CODE	Width W a mm	KG 1 pc	pcs	
PMIS 510 12 PG	100	0.88	1	
PMIS 515 12 PG	150	0.96	1	
PMIS 520 12 PG	200	1.04	1	
PMIS 525 12 PG	250	1.12	1	
PMIS 530 12 PG	300	1.19	1	
PMIS 540 12 PG	400	1.54	1	
PMIS 545 12 PG	450	1.62	1	
PMIS 550 12 PG	500	1.70	1	
PMIS 560 12 PG	600	1.85	1	

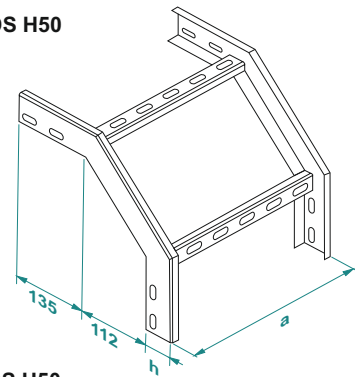
		1.5mm		
CODE	Width W a=b	KG 1 pc	pcs	
PMIS 510 15 PG	100	1.10	1	
PMIS 515 15 PG	150	1.20	1	
PMIS 520 15 PG	200	1.30	1	
PMIS 525 15 PG	250	1.40	1	
PMIS 530 15 PG	300	1.50	1	
PMIS 540 15 PG	400	1.92	1	
PMIS 545 15 PG	450	2.02	1	
PMIS 550 15 PG	500	2.12	1	
PMIS 560 15 PG	600	2.31	1	

Pre - Galvanised

MFIS...	H50...	1.2mm		
CODE	Width W a mm	KG 1 pc	pcs	
MFIS 510 12 PG	100	0.88	1	
MFIS 515 12 PG	150	0.96	1	
MFIS 520 12 PG	200	1.04	1	
MFIS 525 12 PG	250	1.12	1	
MFIS 530 12 PG	300	1.19	1	
MFIS 540 12 PG	400	1.54	1	
MFIS 545 12 PG	450	1.62	1	
MFIS 550 12 PG	500	1.70	1	
MFIS 560 12 PG	600	1.85	1	

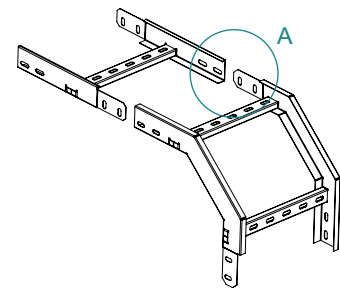
		1.5mm		
CODE	Width W a=b	KG 1 pc	pcs	
MFIS 510 15 PG	100	1.10	1	
MFIS 515 15 PG	150	1.20	1	
MFIS 520 15 PG	200	1.30	1	
MFIS 525 15 PG	250	1.40	1	
MFIS 530 15 PG	300	1.50	1	
MFIS 540 15 PG	400	1.92	1	
MFIS 545 15 PG	450	2.02	1	
MFIS 550 15 PG	500	2.12	1	
MFIS 560 15 PG	600	2.31	1	

PMDS H50

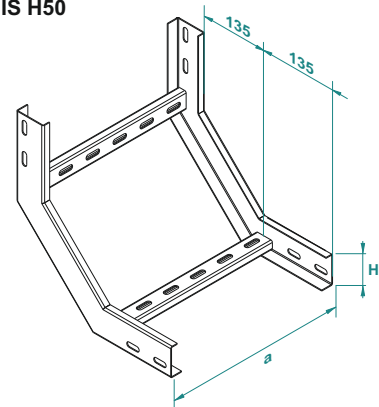


MFDS H50

Quick Fixing Method (without coupler)

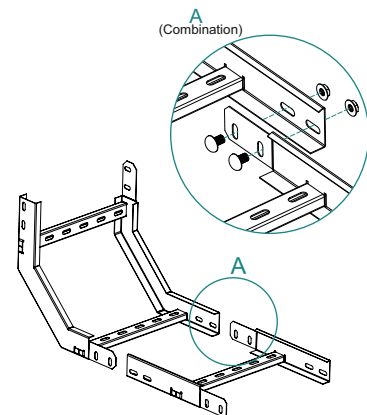


PMIS H50



MFIS H50

Quick Fixing Method (without Coupler)



APPLICATIONS

Cable routing

MATERIAL

Steel, strip-galv. acc. to the Sendzimir method to TS-EN 10346:2011 (PG)

Available finishes:

HDG-steel, hot-dip galv. to TS-EN ISO 1461:2011 (HDG)
SS- stainless steel AISI 304L and AISI 316L (SS)
EP- powder coating in a full range of colours (RAL)

Thickn. (ga) [mm]: 1.2 1.5

Modular Adjustable Cable Ladder Riser

Модулен регулируем щранг за кабелна стълба



Important!
To install cable tray - bend use Screw Sets CFS M6 or CFS M8

Pre - Galvanised

PMMB ... H50... 1.2mm				PMMB ... H50... 1.5mm			
CODE	Width W a mm	kg 1 pc	pcs	CODE	Width W a mm	kg 1 pc	pcs
PMMB 510 12 PG	100	0.41	1	PMMB 510 15 PG	100	0.52	1
PMMB 515 12 PG	150	0.44	1	PMMB 515 15 PG	150	0.55	1
PMMB 520 12 PG	200	0.47	1	PMMB 520 15 PG	200	0.59	1
PMMB 525 12 PG	250	0.49	1	PMMB 525 15 PG	250	0.62	1
PMMB 530 12 PG	300	0.52	1	PMMB 530 15 PG	300	0.65	1
PMMB 540 12 PG	400	0.57	1	PMMB 540 15 PG	400	0.72	1
PMMB 545 12 PG	450	0.60	1	PMMB 545 15 PG	450	0.75	1
PMMB 550 12 PG	500	0.62	1	PMMB 550 15 PG	500	0.79	1
PMMB 560 12 PG	600	0.68	1	PMMB 560 15 PG	600	0.85	1

Separator

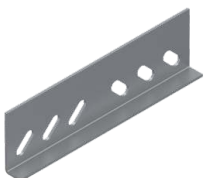


To Install Separator use CFS bolts and nuts. (M6 or M8)

Pre - Galvanised

SEP 1 ... H35 1.0mm				SEP 1 ... H35 1.5mm			
CODE	Length L mm	kg 1m	pcs	CODE	Length L mm	kg 1m	pcs
SEP 135 10 PG	3000	0.40	1	SEP 135 15 PG	3000	0.59	1

Straight Connector



To Install one lenght ;use 2 pieces of KBE connector 8 sets of CFS bolts and nuts. (M6 or M8)

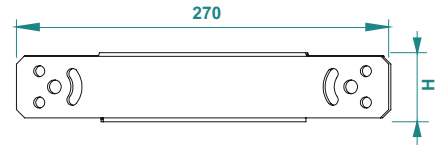
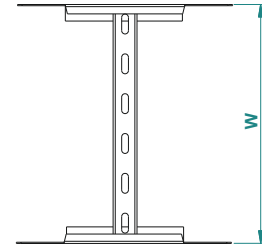
Pre - Galvanised

KBE 2 ... H50 1.2mm				KBE 2 ... H50 1.5mm			
CODE	Length L mm	kg 1pc	pcs	CODE	Length L mm	kg 1pc	pcs
KBE 250 12 PG	175	0.09	100	KBE 250 15 PG	175	0.11	100

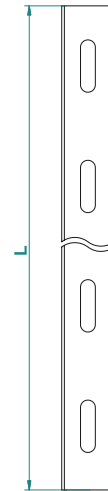
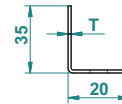
Electro - Galvanised

CFS M6 M6				CFS M8 M8					
CODE	Size mm	Length L mm	kg 1Set	CODE	Size mm	Length L mm	kg 1Set		
CFS M6 EG	M6	15	0,008	500	CFS M8 EG	M8	15	0,014	500

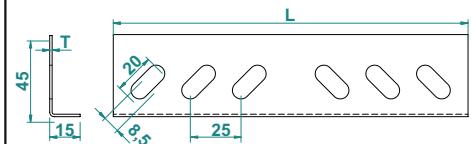
PMMB H50



SEP 1 H35



KBE 2 H50



M6x15 Round head squire neck bolt & M6 Flanged nut

APPLICATIONS

Cable routing

MATERIAL

Steel, strip-galv. acc. to the Sendzimir method to TS-EN 10346:2011 (PG)

Available finishes:

HDG-steel, hot-dip galv. to TS-EN ISO 1461:2011 (HDG)

SS- stainless steel AISI 304L and AISI 316L (SS)

EP- powder coating in a full range of colours (RAL)

Thickn. (ga) [mm]: 1.2 1.5

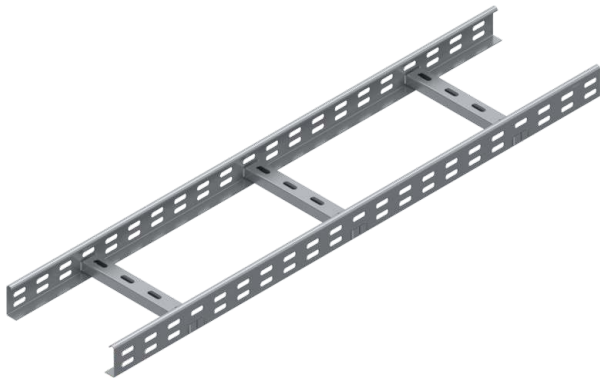
Cable Ladder Systems of Side Height H60



ЕНЕРДЖИ ГРУП ООД

Cable Ladder

Кабелна стълба



Important!
Joining cable ladder sections together only through the use of couplers 2 pcs for 1 Length
To install cable ladder - straight use Screw Sets CFS M6 or CFS M8

Pre - Galvanised

PKM ...	H60...	1.2mm			PKM ...	H60...	1.5mm		
CODE	Width W mm	Length L mm	kg 1 mt	pcs	CODE	Width W mm	Length L mm	kg 1 mt	pcs
PKM 610 12 PG	100	3000	1.53	2	PKM 610 15 PG	100	3000	1.92	2
PKM 615 12 PG	150	3000	1.62	2	PKM 615 15 PG	150	3000	2.03	2
PKM 620 12 PG	200	3000	1.71	2	PKM 620 15 PG	200	3000	2.14	2
PKM 625 12 PG	250	3000	1.80	2	PKM 625 15 PG	250	3000	2.25	2
PKM 630 12 PG	300	3000	1.88	2	PKM 630 15 PG	300	3000	2.36	2
PKM 640 12 PG	400	3000	2.06	2	PKM 640 15 PG	400	3000	2.57	2
PKM 645 12 PG	450	3000	2.15	2	PKM 645 15 PG	450	3000	2.68	2
PKM 650 12 PG	500	3000	2.24	2	PKM 650 15 PG	500	3000	2.79	2
PKM 660 12 PG	600	3000	2.41	2	PKM 660 15 PG	600	3000	3.01	2

Cable Ladder

Кабелна стълба



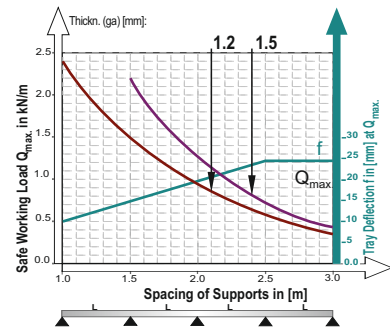
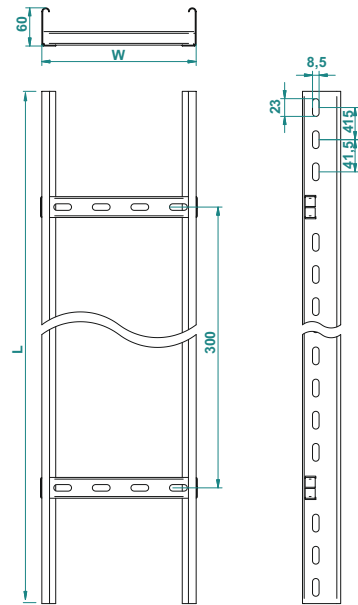
Integrated Type

Important!
To install cable ladder - straight use Screw Sets CFS M6 or CFS M8

Pre - Galvanised

FKM...	H60...	1.2mm			FKM...	H60...	1.5mm		
CODE	Width W mm	Length L mm	kg 1 mt	pcs	CODE	Width W mm	Length L mm	kg 1 mt	pcs
FKM 610 12 PG	100	3000	1.53	2	FKM 610 15 PG	100	3000	1.92	2
FKM 615 12 PG	150	3000	1.62	2	FKM 615 15 PG	150	3000	2.03	2
FKM 620 12 PG	200	3000	1.71	2	FKM 620 15 PG	200	3000	2.14	2
FKM 625 12 PG	250	3000	1.80	2	FKM 625 15 PG	250	3000	2.25	2
FKM 630 12 PG	300	3000	1.88	2	FKM 630 15 PG	300	3000	2.36	2
FKM 640 12 PG	400	3000	2.06	2	FKM 640 15 PG	400	3000	2.57	2
FKM 645 12 PG	450	3000	2.15	2	FKM 645 15 PG	450	3000	2.68	2
FKM 650 12 PG	500	3000	2.24	2	FKM 650 15 PG	500	3000	2.79	2
FKM 660 12 PG	600	3000	2.41	2	FKM 660 15 PG	600	3000	3.01	2

PKM H60



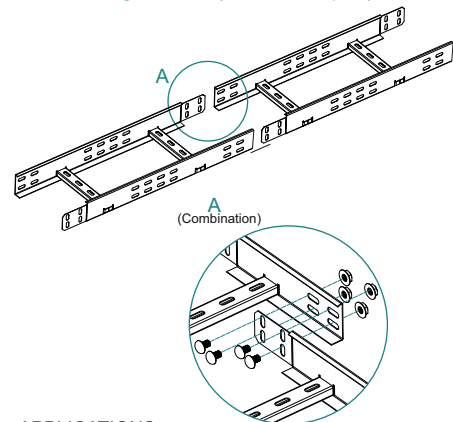
This diagram comply with IEC 61537 with connection to 1/5 of the span and the end span = 0,8x the span

Q = max. admissible load (kg/m)
L = support distance (m)
f = Deflection (mm) / Max. deflection = L/100
Safety co-efficient = 1.5

Width	Usable Cross-Section
50	28 cm ²
100	58 cm ²
150	88 cm ²
200	118 cm ²
300	178 cm ²
400	238 cm ²
500	298 cm ²
600	358 cm ²

FKM H60

Quick Fixing Method (without coupler)



APPLICATIONS

Cable routing

MATERIAL

Steel, strip-galv. acc. to the Sendzimir method to TS-EN 10346:2011 (PG)

Available finishes:

HDG-steel, hot-dip galv. to TS-EN ISO 1461:2011 (HDG)
SS- stainless steel AISI 304L and AISI 316L (SS)
EP- powder coating in a full range of colours (RAL)

Thickn. (ga) [mm]: **1.2 1.5**

90° Horizontal Bend of Cable Ladder

90° Хоризонтална стълба



Important!

Joining cable tray sections together only through the use of couplers and Screw Sets CFS M6 or CFS M8

Pre - Galvanised

PM90 ...	H60...	1.2mm		
CODE	Width W a=b	kg 1 pc	pcs	
PM90 610 12 PG	100	0.81	1	
PM90 615 12 PG	150	0.97	1	
PM90 620 12 PG	200	1.12	1	
PM90 625 12 PG	250	1.28	1	
PM90 630 12 PG	300	1.43	1	
PM90 640 12 PG	400	1.74	1	
PM90 645 12 PG	450	1.90	1	
PM90 650 12 PG	500	2.05	1	
PM90 660 12 PG	600	2.36	1	

		1.5mm		
CODE	Width W a=b	kg 1 pc	pcs	
PM90 610 15 PG	100	1.01	1	
PM90 615 15 PG	150	1.21	1	
PM90 620 15 PG	200	1.40	1	
PM90 625 15 PG	250	1.60	1	
PM90 630 15 PG	300	1.79	1	
PM90 640 15 PG	400	2.18	1	
PM90 645 15 PG	450	2.37	1	
PM90 650 15 PG	500	2.57	1	
PM90 660 15 PG	600	2.95	1	

Integrated Type

Important!

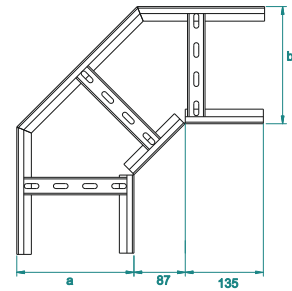
To instal cable tray - bend use Screw Sets CFS M6 or CFS M8

Pre - Galvanised

MF90 ...	H60...	1.2mm		
CODE	Width W a=b	kg 1 pc	pcs	
MF90 610 12 PG	100	0.81	1	
MF90 615 12 PG	150	0.97	1	
MF90 620 12 PG	200	1.12	1	
MF90 625 12 PG	250	1.28	1	
MF90 630 12 PG	300	1.43	1	
MF90 640 12 PG	400	1.74	1	
MF90 645 12 PG	450	1.90	1	
MF90 650 12 PG	500	2.05	1	
MF90 660 12 PG	600	2.36	1	

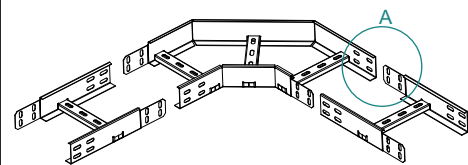
		1.5mm		
CODE	Width W a=b	kg 1 pc	pcs	
MF90 610 15 PG	100	1.01	1	
MF90 615 15 PG	150	1.21	1	
MF90 620 15 PG	200	1.40	1	
MF90 625 15 PG	250	1.60	1	
MF90 630 15 PG	300	1.79	1	
MF90 640 15 PG	400	2.18	1	
MF90 645 15 PG	450	2.37	1	
MF90 650 15 PG	500	2.57	1	
MF90 660 15 PG	600	2.95	1	

PM90 H60

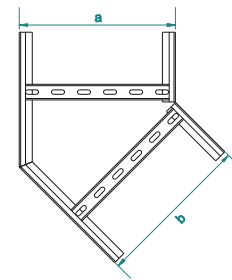


MF90 H60

Quick Fixing Method (without coupler)

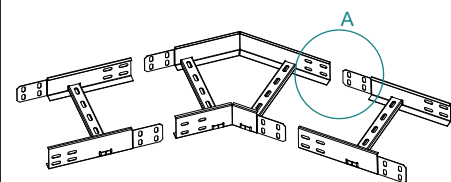


PM45 H60

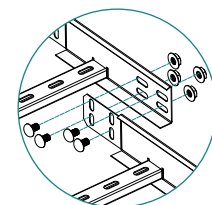


MF45 H60

Quick Fixing Method (without coupler)



(Combination)



45° Horizontal Bend of Cable Ladder

45° Хоризонтална стълба.



Important!

Joining cable tray sections together only through the use of couplers and Screw Sets CFS M6 or CFS M8

Pre - Galvanised

PM45 ...	H60...	1.2mm		
CODE	Width W a=b	kg 1 pc	pcs	
PM45 610 12 PG	100	0.72	1	
PM45 615 12 PG	150	0.81	1	
PM45 620 12 PG	200	0.91	1	
PM45 625 12 PG	250	0.99	1	
PM45 630 12 PG	300	1.08	1	
PM45 640 12 PG	400	1.27	1	
PM45 645 12 PG	450	1.35	1	
PM45 650 12 PG	500	1.45	1	
PM45 660 12 PG	600	1.63	1	

		1.5mm		
CODE	Width W a=b	kg 1 pc	pcs	
PM45 610 15 PG	100	0.91	1	
PM45 615 15 PG	150	1.02	1	
PM45 620 15 PG	200	1.13	1	
PM45 625 15 PG	250	1.24	1	
PM45 630 15 PG	300	1.36	1	
PM45 640 15 PG	400	1.58	1	
PM45 645 15 PG	450	1.70	1	
PM45 650 15 PG	500	1.81	1	
PM45 660 15 PG	600	2.04	1	

Integrated Type

Important!

To instal cable tray - bend use Screw Sets CFS M6 OR CFS M8

Pre - Galvanised

MF45 ...	H60...	1.2mm		
CODE	Width W a=b	kg 1 pc	pcs	
MF45 610 12 PG	100	0.72	1	
MF45 615 12 PG	150	0.81	1	
MF45 620 12 PG	200	0.91	1	
MF45 625 12 PG	250	0.99	1	
MF45 630 12 PG	300	1.08	1	
MF45 640 12 PG	400	1.27	1	
MF45 645 12 PG	450	1.35	1	
MF45 650 12 PG	500	1.45	1	
MF45 660 12 PG	600	1.63	1	

		1.5mm		
CODE	Width W a=b	kg 1 pc	pcs	
MF45 610 15 PG	100	0.91	1	
MF45 615 15 PG	150	1.02	1	
MF45 620 15 PG	200	1.13	1	
MF45 625 15 PG	250	1.24	1	
MF45 630 15 PG	300	1.36	1	
MF45 640 15 PG	400	1.58	1	
MF45 645 15 PG	450	1.70	1	
MF45 650 15 PG	500	1.81	1	
MF45 660 15 PG	600	2.04	1	

APPLICATIONS

Cable routing

MATERIAL

Steel, strip-galv. acc. to the Sendzimir method to TS-EN 10346:2011 (PG)

Available finishes:

HDG-steel, hot-dip galv. to TS-EN ISO 1461:2011 (HDG)

SS- stainless steel AISI 304L and AISI 316L (SS)

EP- powder coating in a full range of colours (RAL)

Thickn. (ga) [mm]: 1.2 1.5

Tee Horizontal Bend of Cable Ladder

T-образно хоризонтално огъване на кабелна стълба



Integrated Type

Important!
To instal cable tray - bend use Screw Sets CFS M6 OR CFS M8

Important!
Joining cable tray sections together only through the use of couplers and Screw Sets CFS M6 or CFS M8

Pre - Galvanised

PMT ...	H60...	1.2mm		
CODE	Width W a=b=c	kg 1 pc	pcs	
PMT 610 12 PG	100	1.04	1	
PMT 615 12 PG	150	1.17	1	
PMT 620 12 PG	200	1.31	1	
PMT 625 12 PG	250	1.67	1	
PMT 630 12 PG	300	1.83	1	
PMT 640 12 PG	400	2.42	1	
PMT 645 12 PG	450	2.63	1	
PMT 650 12 PG	500	2.83	1	
PMT 660 12 PG	600	3.22	1	

		1.5mm		
CODE	Width W a=b=c	kg 1 pc	pcs	
PMT 610 15 PG	100	1.25	1	
PMT 615 15 PG	150	1.39	1	
PMT 620 15 PG	200	1.53	1	
PMT 625 15 PG	250	1.90	1	
PMT 630 15 PG	300	2.07	1	
PMT 640 15 PG	400	2.69	1	
PMT 645 15 PG	450	2.89	1	
PMT 650 15 PG	500	3.11	1	
PMT 660 15 PG	600	3.52	1	

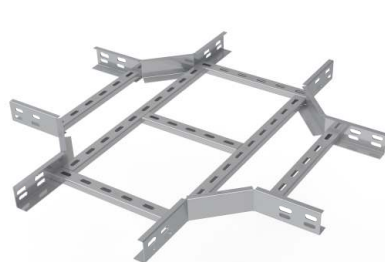
Pre - Galvanised

MFT ...	H60...	1.2mm		
CODE	Width W a=b=c	kg 1 pc	pcs	
MFT 610 12 PG	100	1.04	1	
MFT 615 12 PG	150	1.17	1	
MFT 620 12 PG	200	1.31	1	
MFT 625 12 PG	250	1.67	1	
MFT 630 12 PG	300	1.83	1	
MFT 640 12 PG	400	2.42	1	
MFT 645 12 PG	450	2.63	1	
MFT 650 12 PG	500	2.83	1	
MFT 660 12 PG	600	3.22	1	

		1.5mm		
CODE	Width W a=b=c	kg 1 pc	pcs	
MFT 610 15 PG	100	1.25	1	
MFT 615 15 PG	150	1.39	1	
MFT 620 15 PG	200	1.53	1	
MFT 625 15 PG	250	1.90	1	
MFT 630 15 PG	300	2.07	1	
MFT 640 15 PG	400	2.69	1	
MFT 645 15 PG	450	2.89	1	
MFT 650 15 PG	500	3.11	1	
MFT 660 15 PG	600	3.52	1	

Cross Bend of Cable Ladder

Напречно огъване на кабелна стълба



Integrated Type

Important!
To instal cable tray - bend use Screw Sets CFS M6 OR CFS M8

Important!
Joining cable tray sections together only through the use of couplers and Screw Sets CFS M6 or CFS M8

Pre - Galvanised

PMD...	H60...	1.2mm		
CODE	Width W a=b=c=d	kg 1 pc	pcs	
PMD 610 12 PG	100	1.26	1	
PMD 615 12 PG	150	1.40	1	
PMD 620 12 PG	200	1.53	1	
PMD 625 12 PG	250	1.89	1	
PMD 630 12 PG	300	2.05	1	
PMD 640 12 PG	400	2.38	1	
PMD 645 12 PG	450	2.91	1	
PMD 650 12 PG	500	3.11	1	
PMD 660 12 PG	600	3.50	1	

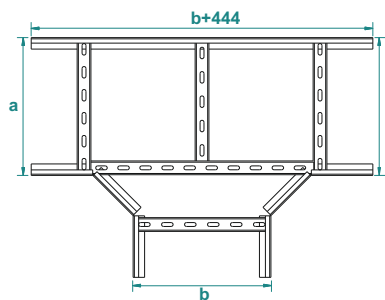
		1.5mm		
CODE	Width W a=b=c=d	kg 1 pc	pcs	
PMD 610 15 PG	100	1.52	1	
PMD 615 15 PG	150	1.65	1	
PMD 620 15 PG	200	1.78	1	
PMD 625 15 PG	250	2.15	1	
PMD 630 15 PG	300	2.31	1	
PMD 640 15 PG	400	2.64	1	
PMD 645 15 PG	450	3.17	1	
PMD 650 15 PG	500	3.36	1	
PMD 660 15 PG	600	3.76	1	

Pre - Galvanised

MFD...	H60...	1.2mm		
CODE	Width W a=b=c=d	kg 1 pc	pcs	
MFD 610 12 PG	100	1.26	1	
MFD 615 12 PG	150	1.40	1	
MFD 620 12 PG	200	1.53	1	
MFD 625 12 PG	250	1.89	1	
MFD 630 12 PG	300	2.05	1	
MFD 640 12 PG	400	2.38	1	
MFD 645 12 PG	450	2.91	1	
MFD 650 12 PG	500	3.11	1	
MFD 660 12 PG	600	3.50	1	

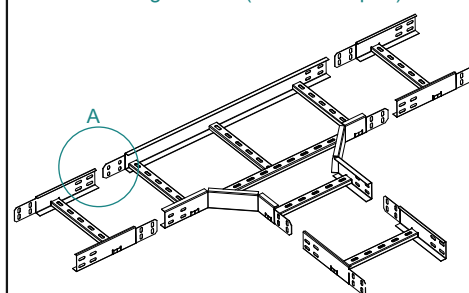
		1.5mm		
CODE	Width W a=b=c=d	kg 1 pc	pcs	
MFD 610 15 PG	100	1.52	1	
MFD 615 15 PG	150	1.65	1	
MFD 620 15 PG	200	1.78	1	
MFD 625 15 PG	250	2.15	1	
MFD 630 15 PG	300	2.31	1	
MFD 640 15 PG	400	2.64	1	
MFD 645 15 PG	450	3.17	1	
MFD 650 15 PG	500	3.36	1	
MFD 660 15 PG	600	3.76	1	

PMT H60

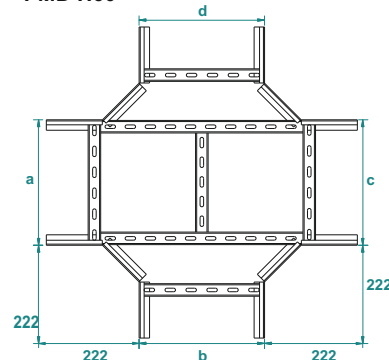


MFT H60

Quick Fixing Method (without coupler)

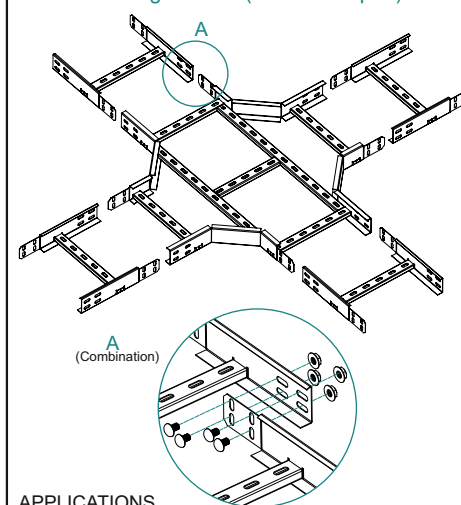


PMD H60



MFD H60

Quick Fixing Method (without coupler)



APPLICATIONS
Cable routing

MATERIAL
Steel, strip-galv. acc. to the Sendzimir method to TS-EN 10346:2011 (PG)

Available finishes:
HDG-steel, hot-dip galv. to TS-EN ISO 1461:2011 (HDG)
SS- stainless steel AISI 304L and AISI 316L (SS)
EP- powder coating in a full range of colours (RAL)

Thickn. (ga) [mm]: **1.2 | 1.5**

Cable Ladder Systems of Side Height H60



ЕНЕРДЖИ ГРУП ООД

Vertical 90° Outside Bend of Cable Ladder (Stable)

Вертикално 90° външно огъване на кабелна стълба (стабилна)



Integrated Type

Important!

Joining cable tray sections together only through the use of couplers and Screw Sets CFS M6 or CFS M8

Important!

To instal cable tray - bend use Screw Sets CFS M6 OR CFS M8

Pre - Galvanised

PMDS ...	H60...	1.2mm		
CODE	Width W a mm	kg 1 pc	pcs	
PMDS 610 12 PG	100	0.97	1	
PMDS 615 12 PG	150	1.05	1	
PMDS 620 12 PG	200	1.13	1	
PMDS 625 12 PG	250	1.21	1	
PMDS 630 12 PG	300	1.29	1	
PMDS 640 12 PG	400	1.65	1	
PMDS 645 12 PG	450	1.73	1	
PMDS 650 12 PG	500	1.81	1	
PMDS 660 12 PG	600	1.97	1	

		1.5mm		
CODE	Width W a mm	kg 1 pc	pcs	
PMDS 610 15 PG	100	1.21	1	
PMDS 615 15 PG	150	1.31	1	
PMDS 620 15 PG	200	1.41	1	
PMDS 625 15 PG	250	1.51	1	
PMDS 630 15 PG	300	1.61	1	
PMDS 640 15 PG	400	2.06	1	
PMDS 645 15 PG	450	2.16	1	
PMDS 650 15 PG	500	2.26	1	
PMDS 660 15 PG	600	2.46	1	

MFDS ...	H60...	1.2mm		
CODE	Width W a mm	kg 1 pc	pcs	
MFDS 610 12 PG	100	0.97	1	
MFDS 615 12 PG	150	1.05	1	
MFDS 620 12 PG	200	1.13	1	
MFDS 625 12 PG	250	1.21	1	
MFDS 630 12 PG	300	1.29	1	
MFDS 640 12 PG	400	1.65	1	
MFDS 645 12 PG	450	1.73	1	
MFDS 650 12 PG	500	1.81	1	
MFDS 660 12 PG	600	1.97	1	

		1.5mm		
CODE	Width W a mm	kg 1 pc	pcs	
MFDS 610 15 PG	100	1.21	1	
MFDS 615 15 PG	150	1.31	1	
MFDS 620 15 PG	200	1.41	1	
MFDS 625 15 PG	250	1.51	1	
MFDS 630 15 PG	300	1.61	1	
MFDS 640 15 PG	400	2.06	1	
MFDS 645 15 PG	450	2.16	1	
MFDS 650 15 PG	500	2.26	1	
MFDS 660 15 PG	600	2.46	1	

Vertical 90° Inside Bend of Cable Ladder (Stable)

Вертикално огъване от 90° на кабелна стълба (стабилно)



Integrated Type

Important!

Joining cable tray sections together only through the use of couplers and Screw Sets CFS M6 or CFS M8

Important!

To instal cable tray - bend use Screw Sets CFS M6 OR CFS M8

Pre - Galvanised

PMIS...	H60...	1.2mm		
CODE	Width W a=b	kg 1 pc	pcs	
PMIS 610 12 PG	100	0.97	1	
PMIS 615 12 PG	150	1.05	1	
PMIS 620 12 PG	200	1.13	1	
PMIS 625 12 PG	250	1.21	1	
PMIS 630 12 PG	300	1.29	1	
PMIS 640 12 PG	400	1.65	1	
PMIS 645 12 PG	450	1.73	1	
PMIS 650 12 PG	500	1.81	1	
PMIS 660 12 PG	600	1.97	1	

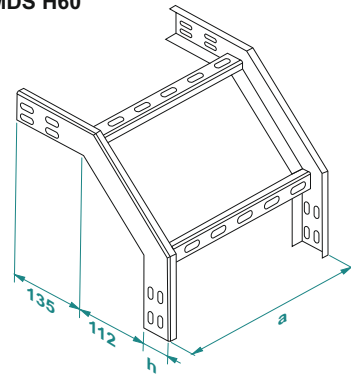
		1.5mm		
CODE	Width W a=b	kg 1 pc	pcs	
PMIS 610 15 PG	100	1.21	1	
PMIS 615 15 PG	150	1.31	1	
PMIS 620 15 PG	200	1.41	1	
PMIS 625 15 PG	250	1.51	1	
PMIS 630 15 PG	300	1.61	1	
PMIS 640 15 PG	400	2.06	1	
PMIS 645 15 PG	450	2.16	1	
PMIS 650 15 PG	500	2.26	1	
PMIS 660 15 PG	600	2.46	1	

Pre - Galvanised

MFIS...	H60...	1.2mm		
CODE	Width W a=b	kg 1 pc	pcs	
MFIS 610 12 PG	100	0.97	1	
MFIS 615 12 PG	150	1.05	1	
MFIS 620 12 PG	200	1.13	1	
MFIS 625 12 PG	250	1.21	1	
MFIS 630 12 PG	300	1.29	1	
MFIS 640 12 PG	400	1.65	1	
MFIS 645 12 PG	450	1.73	1	
MFIS 650 12 PG	500	1.81	1	
MFIS 660 12 PG	600	1.97	1	

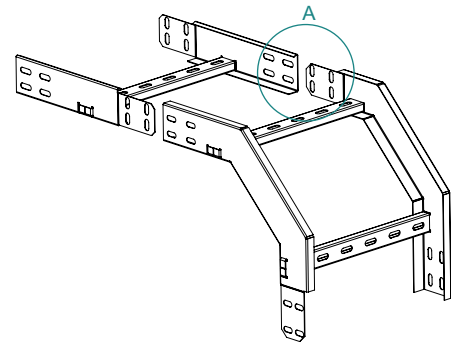
		1.5mm		
CODE	Width W a=b	kg 1 pc	pcs	
MFIS 610 15 PG	100	1.21	1	
MFIS 615 15 PG	150	1.31	1	
MFIS 620 15 PG	200	1.41	1	
MFIS 625 15 PG	250	1.51	1	
MFIS 630 15 PG	300	1.61	1	
MFIS 640 15 PG	400	2.06	1	
MFIS 645 15 PG	450	2.16	1	
MFIS 650 15 PG	500	2.26	1	
MFIS 660 15 PG	600	2.46	1	

PMDS H60

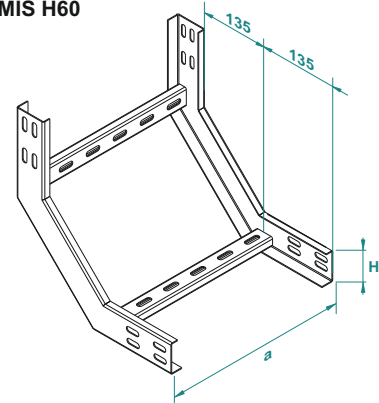


MFDS H60

Quick Fixing Method (without coupler)

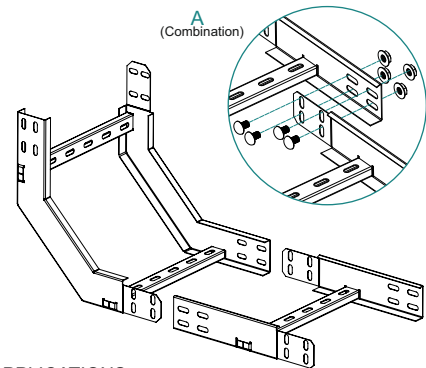


PMIS H60



MFIS H60

Quick Fixing Method (without coupler)



APPLICATIONS

Cable routing

MATERIAL

Steel, strip-galv. acc. to the Sendzimir method to TS-EN 10346:2011 (PG)

Available finishes:

HDG-steel, hot-dip galv. to TS-EN ISO 1461:2011 (HDG)
SS- stainless steel AISI 304L and AISI 316L (SS)
EP- powder coating in a full range of colours (RAL)

Thickn. (ga) [mm]: 1.2 | 1.5

Modular Adjustable Cable Ladder Riser

Модулен регулируем щранг за кабелна стълба

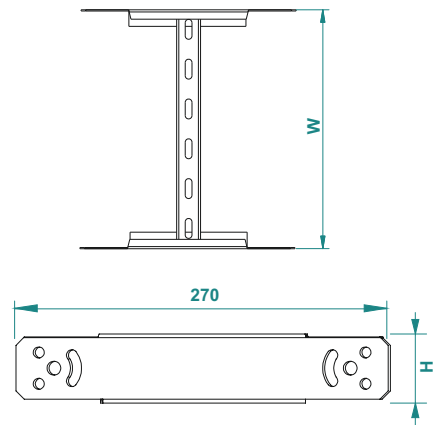


Important!
To install cable tray - bend use Screw Sets CFS M6 or CFS M8

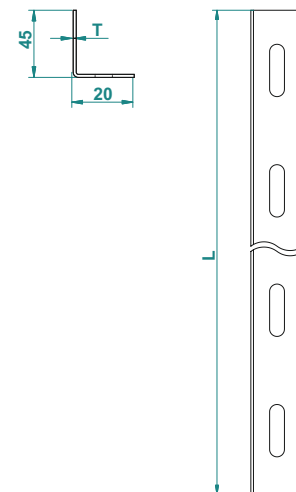
Pre - Galvanised

PMMB ... H60... 1.2mm				PMMB ... H60... 1.5mm			
CODE	Width W a mm	KG 1 pc	pcs	CODE	Width W a mm	KG 1 pc	pcs
PMMB 610 12 PG	100	0.46	1	PMMB 610 15 PG	100	0.58	1
PMMB 615 12 PG	150	0.49	1	PMMB 615 15 PG	150	0.61	1
PMMB 620 12 PG	200	0.51	1	PMMB 620 15 PG	200	0.64	1
PMMB 625 12 PG	250	0.54	1	PMMB 625 15 PG	250	0.68	1
PMMB 630 12 PG	300	0.57	1	PMMB 630 15 PG	300	0.71	1
PMMB 640 12 PG	400	0.62	1	PMMB 640 15 PG	400	0.78	1
PMMB 645 12 PG	450	0.65	1	PMMB 645 15 PG	450	0.81	1
PMMB 650 12 PG	500	0.67	1	PMMB 650 15 PG	500	0.84	1
PMMB 660 12 PG	600	0.72	1	PMMB 660 15 PG	600	0.91	1

PMMB H60



SEP 1 H45



Seperator



To Install Seperator use CFS bolts and nuts. (M6 or M8)

Pre - Galvanised

SEP 1 ... H45 1.0mm				SEP 1 ... H45 1.5mm			
CODE	Length L mm	KG 1m	pcs	CODE	Length L mm	KG 1m	pcs
SEP 145 10 PG	3000	0.47	1	SEP 145 15 PG	3000	0.69	1

Straight Connector (Coupler)



To Install one lenght ;use 2 pieces of KBE connector 8 sets of CFS bolts and nuts. (M6 or M8)

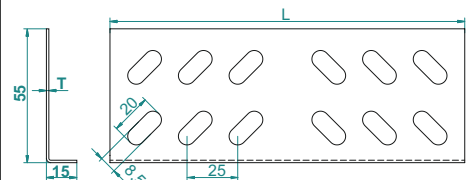
Pre - Galvanised

KBE 2 ... H60 1.2mm				KBE 2 ... H60 1.5mm			
CODE	Length L mm	KG 1pc	pcs	CODE	Length L mm	KG 1 pc	pcs
KBE 260 12 PG	175	0.1	100	KBE 260 15 PG	0.13	0.11	100

Electro - Galvanized

CFS M6				CFS M8			
CODE	Size	Length L mm	KG 1Set	CODE	Size	Length L mm	KG 1Set
CFS M6 EG	M6	15	0,008	CFS M8 EG	M8	15	0,014

KBE 2 H60



M6x15 Round head squire neck bolt & M6 Flanged nut

APPLICATIONS

Cable routing

MATERIAL

Steel, strip-galv. acc. to the Sendzimir method to TS-EN 10346:2011 (PG)

Available finishes:

HDG-steel, hot-dip galv. to TS-EN ISO 1461:2011 (HDG)
SS- stainless steel AISI 304L and AISI 316L (SS)
EP- powder coating in a full range of colours (RAL)

Thickn. (ga) [mm]: 1.2 1.5

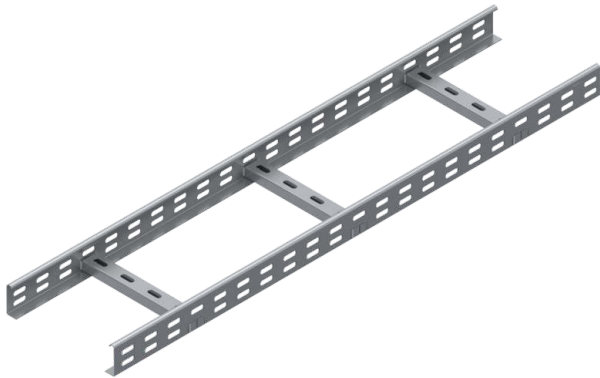
Cable Ladder Systems of Side Height H80



ЕНЕРДЖИ ГРУП ООД

Cable Ladder

Кабелна стълба



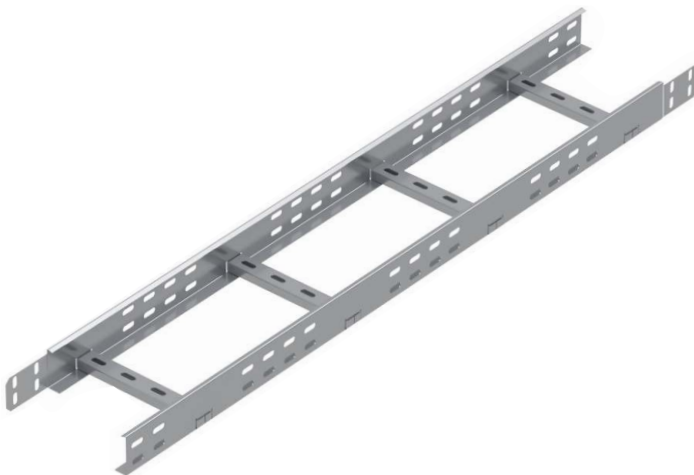
Important!
Joining cable tray sections together only through the use of couplers 2 pcs for 1 Length
To install cable tray - straight use Screw Sets CFS M6 or CFS M8

Pre - Galvanised

PKM ...	H80...	1.2mm			PKM ...	H80...	1.5mm		
CODE	Width W mm	Length L mm	kg 1 mt	pcs	CODE	Width W mm	Length L mm	kg 1 mt	pcs
PKM 810 12 PG	100	3000	2.06	2	PKM 815 15 PG	100	3000	2.58	2
PKM 815 12 PG	150	3000	2.16	2	PKM 815 15 PG	150	3000	2.70	2
PKM 820 12 PG	200	3000	2.26	2	PKM 820 15 PG	200	3000	2.83	2
PKM 825 12 PG	250	3000	2.36	2	PKM 825 15 PG	250	3000	2.95	2
PKM 830 12 PG	300	3000	2.46	2	PKM 830 15 PG	300	3000	3.07	2
PKM 840 12 PG	400	3000	2.66	2	PKM 840 15 PG	400	3000	3.32	2
PKM 845 12 PG	450	3000	2.76	2	PKM 845 15 PG	450	3000	3.44	2
PKM 850 12 PG	500	3000	2.85	2	PKM 850 15 PG	500	3000	3.57	2
PKM 860 12 PG	600	3000	3.05	2	PKM 860 15 PG	600	3000	3.82	2

Cable Ladder

Кабелна стълба



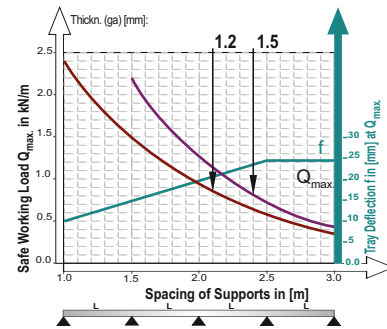
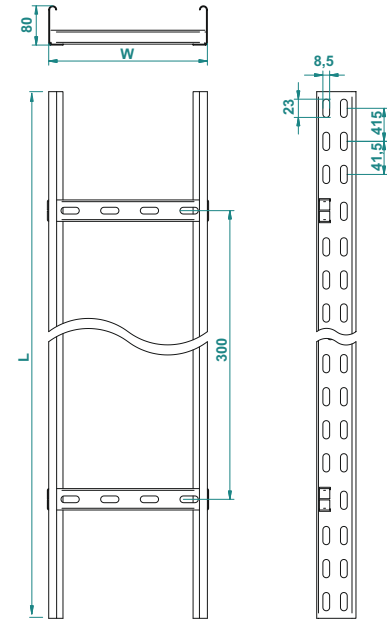
Integrated Type

Important!
To install cable ladder - straight use Screw Sets CFS M6 or CFS M8

Pre - Galvanised

FKM ...	H80...	1.2mm			FKM ...	H80...	1.5mm		
CODE	Width W mm	Length L mm	kg 1 mt	pcs	CODE	Width W mm	Length L mm	kg 1 mt	pcs
FKM 810 12 PG	100	3000	2.06	2	FKM 815 15 PG	100	3000	2.58	2
FKM 815 12 PG	150	3000	2.16	2	FKM 815 15 PG	150	3000	2.70	2
FKM 820 12 PG	200	3000	2.26	2	FKM 820 15 PG	200	3000	2.83	2
FKM 825 12 PG	250	3000	2.36	2	FKM 825 15 PG	250	3000	2.95	2
FKM 830 12 PG	300	3000	2.46	2	FKM 830 15 PG	300	3000	3.07	2
FKM 840 12 PG	400	3000	2.66	2	FKM 840 15 PG	400	3000	3.32	2
FKM 845 12 PG	450	3000	2.76	2	FKM 845 15 PG	450	3000	3.44	2
FKM 850 12 PG	500	3000	2.85	2	FKM 850 15 PG	500	3000	3.57	2
FKM 860 12 PG	600	3000	3.05	2	FKM 860 15 PG	600	3000	3.82	2

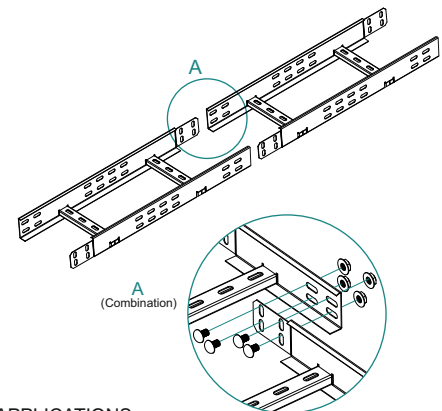
PKM H80



Width	Usable Cross-Section
50	28 cm ²
100	58 cm ²
150	88 cm ²
200	118 cm ²
300	178 cm ²
400	238 cm ²
500	298 cm ²
600	358 cm ²

FKM H80

Quick Fixing Method (without coupler)



APPLICATIONS

Cable routing

MATERIAL

Steel, strip-galv. acc. to the Sendzimir method to TS-EN 10346:2011 (PG)

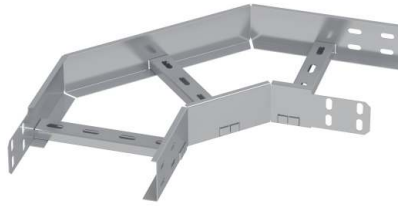
Available finishes:

HDG-steel, hot-dip galv. to TS-EN ISO 1461:2011 (HDG)
SS- stainless steel AISI 304L and AISI 316L (SS)
EP- powder coating in a full range of colours (RAL)

Thickn. (ga) [mm]: 1.2 1.5

90° Horizontal Bend of Cable Ladder

90° Хоризонтална стълба



Important!

Joining cable tray sections together only through the use of couplers and Screw Sets CFS M6 or CFS M8

Integrated Type

Important!

To instal cable tray - bend use Screw Sets CFS M6 OR CFS M8

Pre - Galvanised

PM90 ...	H80...	1.2mm		
CODE	Width W a=b	kg 1 pc	pcs	
PM90 810 12 PG	100	1.08	1	
PM90 815 12 PG	150	1.27	1	
PM90 820 12 PG	200	1.46	1	
PM90 825 12 PG	250	1.65	1	
PM90 830 12 PG	300	1.85	1	
PM90 840 12 PG	400	2.23	1	
PM90 845 12 PG	450	2.43	1	
PM90 850 12 PG	500	2.62	1	
PM90 860 12 PG	600	3.00	1	

		1.5mm		
CODE	Width W a=b	kg 1 pc	pcs	
PM90 810 15 PG	100	1.35	1	
PM90 815 15 PG	150	1.58	1	
PM90 820 15 PG	200	1.83	1	
PM90 825 15 PG	250	2.07	1	
PM90 830 15 PG	300	2.31	1	
PM90 840 15 PG	400	2.79	1	
PM90 845 15 PG	450	3.04	1	
PM90 850 15 PG	500	3.27	1	
PM90 860 15 PG	600	3.76	1	

Pre - Galvanised

MF90 ...	H80...	1.2mm		
CODE	Width W a=b	kg 1 pc	pcs	
MF90 810 12 PG	100	1.08	1	
MF90 815 12 PG	150	1.27	1	
MF90 820 12 PG	200	1.46	1	
MF90 825 12 PG	250	1.65	1	
MF90 830 12 PG	300	1.85	1	
MF90 840 12 PG	400	2.23	1	
MF90 845 12 PG	450	2.43	1	
MF90 850 12 PG	500	2.62	1	
MF90 860 12 PG	600	3.00	1	

		1.5mm		
CODE	Width W a=b	kg 1 pc	pcs	
MF90 810 15 PG	100	1.35	1	
MF90 815 15 PG	150	1.58	1	
MF90 820 15 PG	200	1.83	1	
MF90 825 15 PG	250	2.07	1	
MF90 830 15 PG	300	2.31	1	
MF90 840 15 PG	400	2.79	1	
MF90 845 15 PG	450	3.04	1	
MF90 850 15 PG	500	3.27	1	
MF90 860 15 PG	600	3.76	1	

45° Horizontal Bend of Cable Ladder

45° Хоризонтална стълба



Important!

Joining cable tray sections together only through the use of couplers and Screw Sets CFS M6 or CFS M8

Integrated Type

Important!

To instal cable tray - bend use Screw Sets CFS M6 OR CFS M8

Pre - Galvanised

PM45 ...	H80...	1.2mm		
CODE	Width W a=b	kg 1 pc	pcs	
PM45 810 12 PG	100	0.96	1	
PM45 815 12 PG	150	1.08	1	
PM45 820 12 PG	200	1.19	1	
PM45 825 12 PG	250	1.30	1	
PM45 830 12 PG	300	1.42	1	
PM45 840 12 PG	400	1.64	1	
PM45 845 12 PG	450	1.75	1	
PM45 850 12 PG	500	1.86	1	
PM45 860 12 PG	600	2.08	1	

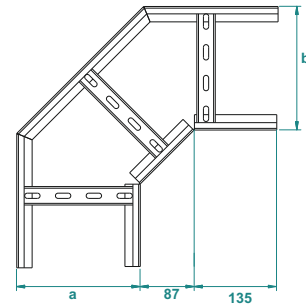
		1.5mm		
CODE	Width W a=b	kg 1 pc	pcs	
PM45 810 15 PG	100	1.21	1	
PM45 815 15 PG	150	1.35	1	
PM45 820 15 PG	200	1.49	1	
PM45 825 15 PG	250	1.63	1	
PM45 830 15 PG	300	1.77	1	
PM45 840 15 PG	400	2.04	1	
PM45 845 15 PG	450	2.19	1	
PM45 850 15 PG	500	2.33	1	
PM45 860 15 PG	600	2.60	1	

Pre - Galvanised

MF45 ...	H80...	1.2mm		
CODE	Width W a=b	kg 1 pc	pcs	
MF45 810 12 PG	100	0.96	1	
MF45 815 12 PG	150	1.08	1	
MF45 820 12 PG	200	1.19	1	
MF45 825 12 PG	250	1.30	1	
MF45 830 12 PG	300	1.42	1	
MF45 840 12 PG	400	1.64	1	
MF45 845 12 PG	450	1.75	1	
MF45 850 12 PG	500	1.86	1	
MF45 860 12 PG	600	2.08	1	

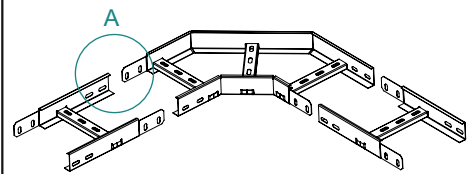
		1.5mm		
CODE	Width W a=b	kg 1 pc	pcs	
MF45 810 15 PG	100	1.21	1	
MF45 815 15 PG	150	1.35	1	
MF45 820 15 PG	200	1.49	1	
MF45 825 15 PG	250	1.63	1	
MF45 830 15 PG	300	1.77	1	
MF45 840 15 PG	400	2.04	1	
MF45 845 15 PG	450	2.19	1	
MF45 850 15 PG	500	2.33	1	
MF45 860 15 PG	600	2.60	1	

PM90 H80

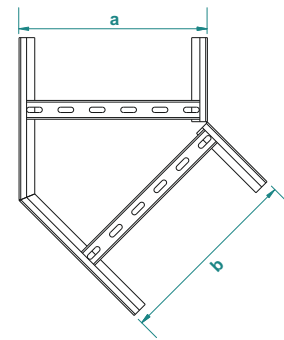


MF90 H80

Quick Fixing Method (without coupler)

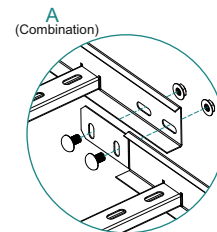
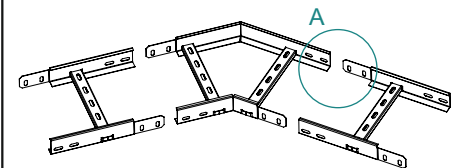


PM45 H80



MF45 H80

Quick Fixing Method (without coupler)



APPLICATIONS

Cable routing

MATERIAL

Steel, strip-galv. acc. to the Sendzimir method to TS-EN 10346:2011 (PG)

Available finishes:

- HDG-steel, hot-dip galv. to TS-EN ISO 1461:2011 (HDG)
- SS- stainless steel AISI 304L and AISI 316L (SS)
- EP- powder coating in a full range of colours (RAL)

Thickn. (ga) [mm]: 1.2 1.5

Cable Ladder Systems of Side Height H80



ЕНЕРДЖИ ГРУП ООД

Tee Horizontal Bend of Cable Ladder

T-образно хоризонтално огъване на кабелна стълба



Important!

Joining cable tray sections together only through the use of couplers and Screw Sets CFS M6 or CFS M8

Pre - Galvanised

PMT ...	H80...	1.2mm		
CODE	Width W a=b=c	kg 1 pc	pcs	
PMT 810 12 PG	100	1.37	1	
PMT 815 12 PG	150	1.54	1	
PMT 820 12 PG	200	1.70	1	
PMT 825 12 PG	250	2.11	1	
PMT 830 12 PG	300	2.30	1	
PMT 840 12 PG	400	2.99	1	
PMT 845 12 PG	450	3.23	1	
PMT 850 12 PG	500	3.46	1	
PMT 860 12 PG	600	3.92	1	

		1.5mm		
CODE	Width W a=b=c	kg 1 pc	pcs	
PMT 810 15 PG	100	1.66	1	
PMT 815 15 PG	150	1.84	1	
PMT 820 15 PG	200	1.2	1	
PMT 825 15 PG	250	2.44	1	
PMT 830 15 PG	300	2.64	1	
PMT 840 15 PG	400	3.35	1	
PMT 845 15 PG	450	3.60	1	
PMT 850 15 PG	500	3.84	1	
PMT 860 15 PG	600	4.32	1	



Integrated Type

Important!

To instal cable tray - bend use Screw Sets CFS M6 OR CFS M8

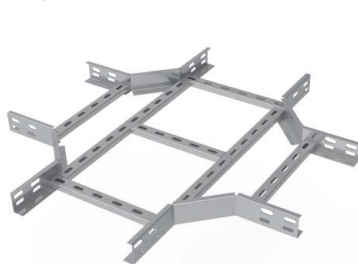
Pre - Galvanised

MFT ...	H80...	1.2mm		
CODE	Width W a=b=c	kg 1 pc	pcs	
MFT 810 12 PG	100	1.37	1	
MFT 815 12 PG	150	1.54	1	
MFT 820 12 PG	200	1.70	1	
MFT 825 12 PG	250	2.11	1	
MFT 830 12 PG	300	2.30	1	
MFT 840 12 PG	400	2.99	1	
MFT 845 12 PG	450	3.23	1	
MFT 850 12 PG	500	3.46	1	
MFT 860 12 PG	600	3.92	1	

		1.5mm		
CODE	Width W a=b=c	kg 1 pc	pcs	
MFT 810 15 PG	100	1.66	1	
MFT 815 15 PG	150	1.84	1	
MFT 820 15 PG	200	1.2	1	
MFT 825 15 PG	250	2.44	1	
MFT 830 15 PG	300	2.64	1	
MFT 840 15 PG	400	3.35	1	
MFT 845 15 PG	450	3.60	1	
MFT 850 15 PG	500	3.84	1	
MFT 860 15 PG	600	4.32	1	

Cross Bend of Cable Ladder

Напречно огъване на кабелна стълба



Important!

Joining cable tray sections together only through the use of couplers and Screw Sets CFS M6 or CFS M8

Pre - Galvanised

PMD...	H80...	1.2mm		
CODE	Width W a=b=c=d	kg 1 pc	pcs	
PMD 810 12 PG	100	1.67	1	
PMD 815 12 PG	150	1.82	1	
PMD 820 12 PG	200	1.97	1	
PMD 825 12 PG	250	2.38	1	
PMD 830 12 PG	300	2.56	1	
PMD 840 12 PG	400	2.93	1	
PMD 845 12 PG	450	3.53	1	
PMD 850 12 PG	500	3.75	1	
PMD 860 12 PG	600	4.19	1	

		1.5mm		
CODE	Width W a=b=c=d	kg 1 pc	pcs	
PMD 810 15 PG	100	2.02	1	
PMD 815 15 PG	150	2.17	1	
PMD 820 15 PG	200	2.32	1	
PMD 825 15 PG	250	2.73	1	
PMD 830 15 PG	300	2.91	1	
PMD 840 15 PG	400	3.29	1	
PMD 845 15 PG	450	3.88	1	
PMD 850 15 PG	500	4.10	1	
PMD 860 15 PG	600	4.55	1	



Integrated Type

Important!

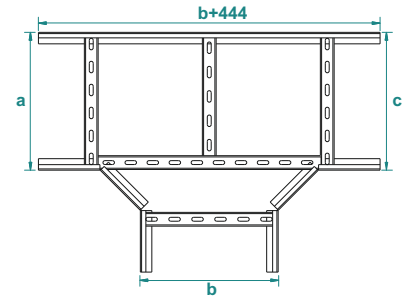
To instal cable tray - bend use Screw Sets CFS M6 OR CFS M8

Pre - Galvanised

MFD...	H80...	1.2mm		
CODE	Width W a=b=c=d	kg 1 pc	pcs	
MFD 810 12 PG	100	1.67	1	
MFD 815 12 PG	150	1.82	1	
MFD 820 12 PG	200	1.97	1	
MFD 825 12 PG	250	2.38	1	
MFD 830 12 PG	300	2.56	1	
MFD 840 12 PG	400	2.93	1	
MFD 845 12 PG	450	3.53	1	
MFD 850 12 PG	500	3.75	1	
MFD 860 12 PG	600	4.19	1	

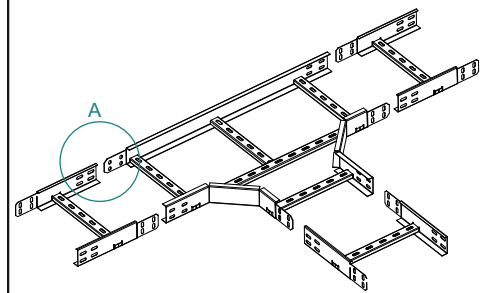
		1.5mm		
CODE	Width W a=b=c=d	kg 1 pc	pcs	
MFD 810 15 PG	100	2.02	1	
MFD 815 15 PG	150	2.17	1	
MFD 820 15 PG	200	2.32	1	
MFD 825 15 PG	250	2.73	1	
MFD 830 15 PG	300	2.91	1	
MFD 840 15 PG	400	3.29	1	
MFD 845 15 PG	450	3.88	1	
MFD 850 15 PG	500	4.10	1	
MFD 860 15 PG	600	4.55	1	

PMT H80

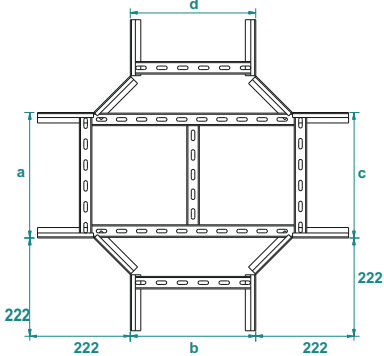


MFT H80

Quick Fixing Method (without coupler)

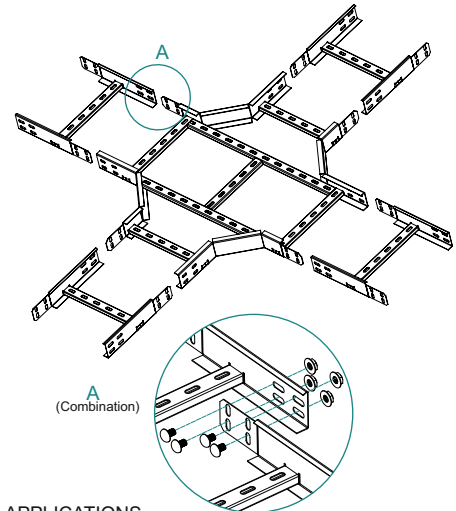


PMD H80



MFD H80

Quick Fixing Method (without coupler)



APPLICATIONS
Cable routing

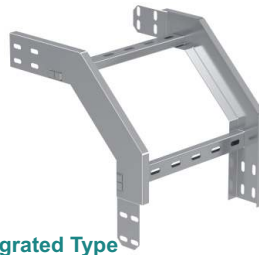
MATERIAL
Steel, strip-galv. acc. to the Sendzimir method to TS-EN 10346:2011 (PG)

Available finishes:
HDG-steel, hot-dip galv. to TS-EN ISO 1461:2011 (HDG)
SS- stainless steel AISI 304L and AISI 316L (SS)
EP- powder coating in a full range of colours (RAL)

Thickn. (ga) [mm]: **1.2 | 1.5**

Vertical 90° Outside Bend of Cable Ladder (Stable)

Вертикално 90° външно огъване на кабелна стълба (стабилна)



Important!
Joining cable tray sections together only through the use of couplers and Screw Sets CFS M6 or CFS M8

Integrated Type

Important!
To instal cable tray - bend use Screw Sets CFS M6 OR CFS M8

Pre - Galvanised

PMDS ...	H80...	1.2mm		
CODE	Width W a mm	kg 1 pc	pcs	
PMDS 810 12 PG	100	1.29	1	
PMDS 815 12 PG	150	1.38	1	
PMDS 820 12 PG	200	1.47	1	
PMDS 825 12 PG	250	1.56	1	
PMDS 830 12 PG	300	1.65	1	
PMDS 840 12 PG	400	2.11	1	
PMDS 845 12 PG	450	2.20	1	
PMDS 850 12 PG	500	2.29	1	
PMDS 860 12 PG	600	2.46	1	

Pre - Galvanised

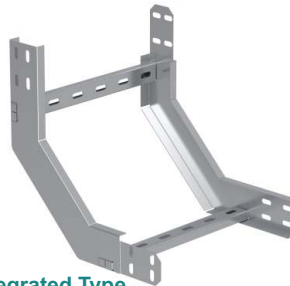
MFDS ...	H80...	1.2mm		
CODE	Width W a mm	kg 1 pc	pcs	
MFDS 810 12 PG	100	1.29	1	
MFDS 815 12 PG	150	1.38	1	
MFDS 820 12 PG	200	1.47	1	
MFDS 825 12 PG	250	1.56	1	
MFDS 830 12 PG	300	1.65	1	
MFDS 840 12 PG	400	2.11	1	
MFDS 845 12 PG	450	2.20	1	
MFDS 850 12 PG	500	2.29	1	
MFDS 860 12 PG	600	2.46	1	

PMDS ...	H80...	1.5mm		
CODE	Width W a mm	kg 1 pc	pcs	
PMDS 810 15 PG	100	1.62	1	
PMDS 815 15 PG	150	1.73	1	
PMDS 820 15 PG	200	1.84	1	
PMDS 825 15 PG	250	1.95	1	
PMDS 830 15 PG	300	2.06	1	
PMDS 840 15 PG	400	2.64	1	
PMDS 845 15 PG	450	2.75	1	
PMDS 850 15 PG	500	2.86	1	
PMDS 860 15 PG	600	3.08	1	

MFDS ...	H80...	1.5mm		
CODE	Width W a mm	kg 1 pc	pcs	
MFDS 810 15 PG	100	1.62	1	
MFDS 815 15 PG	150	1.73	1	
MFDS 820 15 PG	200	1.84	1	
MFDS 825 15 PG	250	1.95	1	
MFDS 830 15 PG	300	2.06	1	
MFDS 840 15 PG	400	2.64	1	
MFDS 845 15 PG	450	2.75	1	
MFDS 850 15 PG	500	2.86	1	
MFDS 860 15 PG	600	3.08	1	

Vertical 90° Inside Bend of Cable Ladder (Stable)

Вертикално 90° вътрешно огъване на кабелна стълба (стабилна)



Important!
Joining cable tray sections together only through the use of couplers and Screw Sets CFS M6 or CFS M8

Integrated Type

Important!
To instal cable tray - bend use Screw Sets CFS M6 OR CFS M8

Pre - Galvanised

PMIS...	H80...	1.2mm		
CODE	Width W a mm	kg 1 pc	pcs	
PMIS 810 12 PG	100	1.29	1	
PMIS 815 12 PG	150	1.38	1	
PMIS 820 12 PG	200	1.47	1	
PMIS 825 12 PG	250	1.56	1	
PMIS 830 12 PG	300	1.65	1	
PMIS 840 12 PG	400	2.11	1	
PMIS 845 12 PG	450	2.20	1	
PMIS 850 12 PG	500	2.29	1	
PMIS 860 12 PG	600	2.46	1	

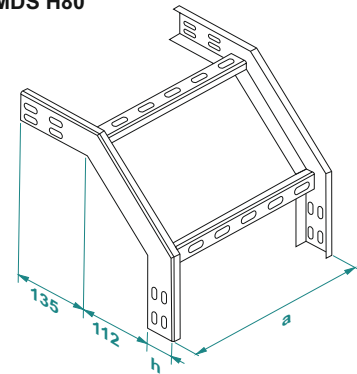
Pre - Galvanised

MFIS...	H80...	1.2mm		
CODE	Width W a mm	kg 1 pc	pcs	
MFIS 810 12 PG	100	1.29	1	
MFIS 815 12 PG	150	1.38	1	
MFIS 820 12 PG	200	1.47	1	
MFIS 825 12 PG	250	1.56	1	
MFIS 830 12 PG	300	1.65	1	
MFIS 840 12 PG	400	2.11	1	
MFIS 845 12 PG	450	2.20	1	
MFIS 850 12 PG	500	2.29	1	
MFIS 860 12 PG	600	2.46	1	

PMIS...	H80...	1.5mm		
CODE	Width W a mm	kg 1 pc	pcs	
PMIS 810 15 PG	100	1.62	1	
PMIS 815 15 PG	150	1.73	1	
PMIS 820 15 PG	200	1.84	1	
PMIS 825 15 PG	250	1.95	1	
PMIS 830 15 PG	300	2.06	1	
PMIS 840 15 PG	400	2.64	1	
PMIS 845 15 PG	450	2.75	1	
PMIS 850 15 PG	500	2.86	1	
PMIS 860 15 PG	600	3.08	1	

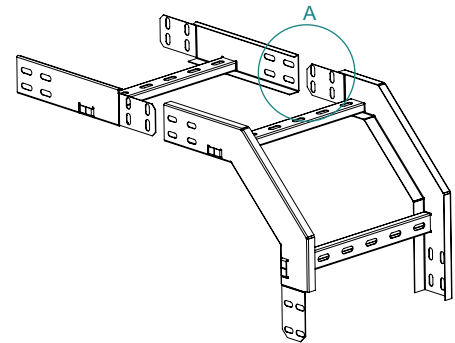
MFIS...	H80...	1.5mm		
CODE	Width W a mm	kg 1 pc	pcs	
MFIS 810 15 PG	100	1.62	1	
MFIS 815 15 PG	150	1.73	1	
MFIS 820 15 PG	200	1.84	1	
MFIS 825 15 PG	250	1.95	1	
MFIS 830 15 PG	300	2.06	1	
MFIS 840 15 PG	400	2.64	1	
MFIS 845 15 PG	450	2.75	1	
MFIS 850 15 PG	500	2.86	1	
MFIS 860 15 PG	600	3.08	1	

PMDS H80

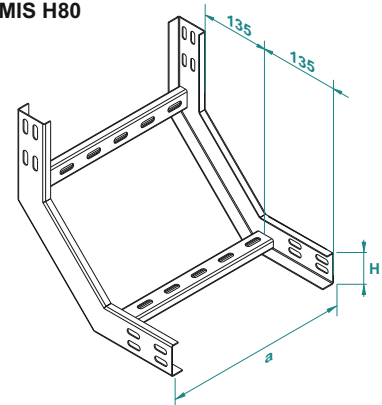


MFDS H80

Quick Fixing Method (without coupler)

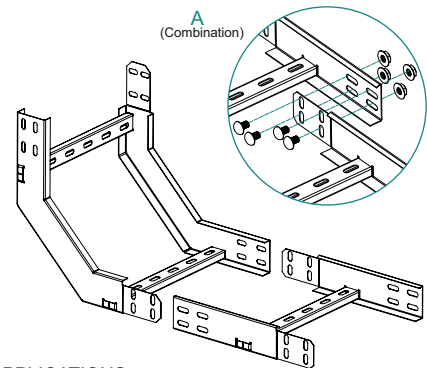


PMIS H80



MFIS H80

Quick Fixing Method (without coupler)



APPLICATIONS

Cable routing

MATERIAL

Steel, strip-galv. acc. to the Sendzimir method to TS-EN 10346:2011 (PG)

Available finishes:

- HDG-steel, hot-dip galv. to TS-EN ISO 1461:2011 (HDG)
- SS- stainless steel AISI 304L and AISI 316L (SS)
- EP- powder coating in a full range of colours (RAL)

Thickn. (ga) [mm]: **1.2 1.5**

Modular Adjustable Cable Ladder Riser

Модулен регулируем щранг за кабелна стълба.



Important!
To install cable tray - bend use Screw Sets CFS M6 or CFS M8

Pre - Galvanised

PMMB ...	H80...	1.2mm		
CODE	Width W a mm	kg 1 pc	pcs	
PMMB 810 12 PG	100	0.62	1	
PMMB 815 12 PG	150	0.65	1	
PMMB 820 12 PG	200	0.68	1	
PMMB 825 12 PG	250	0.71	1	
PMMB 830 12 PG	300	0.74	1	
PMMB 840 12 PG	400	0.80	1	
PMMB 845 12 PG	450	0.83	1	
PMMB 850 12 PG	500	0.85	1	
PMMB 860 12 PG	600	0.91	1	

PMMB ...	H80...	1.5mm		
CODE	Width W a mm	kg 1 pc	pcs	
PMMB 810 15 PG	100	0.78	1	
PMMB 815 15 PG	150	0.81	1	
PMMB 820 15 PG	200	0.85	1	
PMMB 825 15 PG	250	0.89	1	
PMMB 830 15 PG	300	0.92	1	
PMMB 840 15 PG	400	1.00	1	
PMMB 845 15 PG	450	1.04	1	
PMMB 850 15 PG	500	1.07	1	
PMMB 860 15 PG	600	1.15	1	

Separator



To Install Separator use CFS bolts and nuts. (M6 or M8)

Pre - Galvanised

SEP 1 ... H65	1.0mm		
CODE	Length L mm	kg 1m	pcs
SEP 165 10 PG	3000	0.60	1

SEP 1 ... H65	1.5mm		
CODE	Length L mm	kg 1m	pcs
SEP 165 15 PG	3000	0.91	1

Straight Connector (Coupler)



To Install one lenght ;use 2 pieces of KBE connector 8 sets of CFS bolts and nuts. (M6 or M8)

Pre - Galvanised

KBE 2 ... H80	1.2mm		
CODE	Length L mm	kg 1pc	pcs
KBE 280 12 PG	175	0.12	100

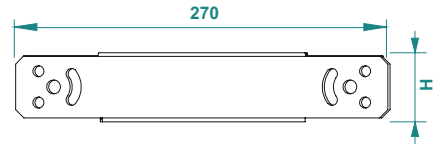
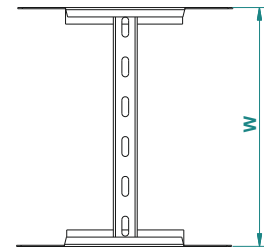
KBE 2 ... H80	1.5mm		
CODE	Length L mm	kg 1 pc	pcs
KBE 280 15 PG	0.15	0.11	100

Electro - Galvanized

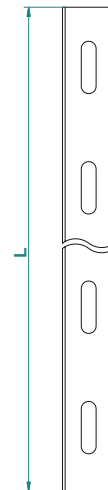
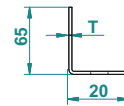
CFS M6	M6		
CODE	Size mm	Length L mm	kg 1Set
CFS M6 EG	M6	15	0.008

CFS M8	M8		
CODE	Size mm	Length L mm	kg 1Set
CFS M8 EG	M8	15	0.014

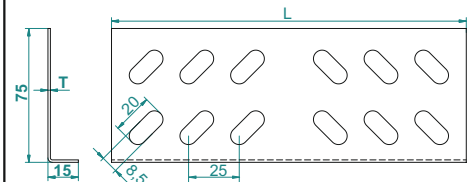
PMMB H80



SEP 1 H65



KBE 2 H80



M6x15 Round head squire neck bolt & M6 Flanged nut

APPLICATIONS

Cable routing

MATERIAL

Steel, strip-galv. acc. to the Sendzimir method to TS-EN 10346:2011 (PG)

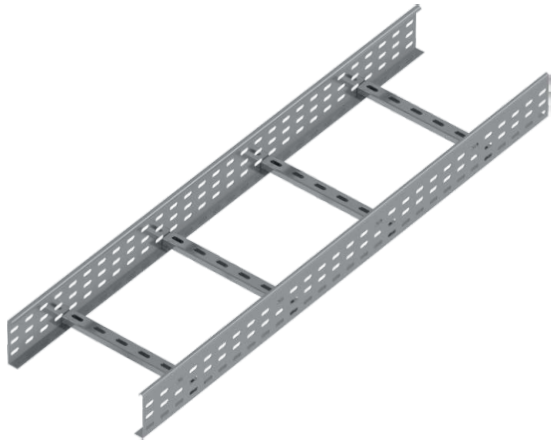
Available finishes:

HDG-steel, hot-dip galv. to TS-EN ISO 1461:2011 (HDG)
SS- stainless steel AISI 304L and AISI 316L (SS)
EP- powder coating in a full range of colours (RAL)

Thickn. (ga) [mm]: 1.2 1.5

Cable Ladder

Кабелна стълба



Important!
Joining cable ladder sections together only through the use of couplers 2 pcs for 1 Length
To install cable ladder - straight use Screw Sets CFS M6 or CFS M8

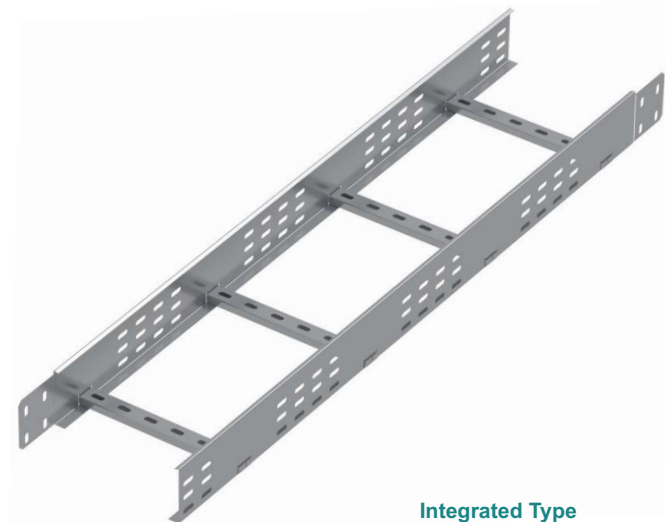
Pre - Galvanised

PKM ...	H100...	1.2mm		
CODE	Width W mm	Length L mm	Kg 1 mt	pcs
PKM 110 12 PG	100	3000	2.40	2
PKM 115 12 PG	150	3000	2.50	2
PKM 120 12 PG	200	3000	2.60	2
PKM 125 12 PG	250	3000	2.70	2
PKM 130 12 PG	300	3000	2.80	2
PKM 140 12 PG	400	3000	3.00	2
PKM 145 12 PG	450	3000	3.09	2
PKM 150 12 PG	500	3000	3.19	2
PKM 160 12 PG	600	3000	3.39	2

PKM ...	H100...	1.5mm		
CODE	Width W mm	Length L mm	Kg 1 mt	pcs
PKM 110 15 PG	100	3000	3.00	2
PKM 115 15 PG	150	3000	3.13	2
PKM 120 15 PG	200	3000	3.25	2
PKM 125 15 PG	250	3000	3.37	2
PKM 130 15 PG	300	3000	3.50	2
PKM 140 15 PG	400	3000	3.74	2
PKM 145 15 PG	450	3000	3.87	2
PKM 150 15 PG	500	3000	3.99	2
PKM 160 15 PG	600	3000	4.24	2

Cable Ladder

Кабелна стълба



Integrated Type

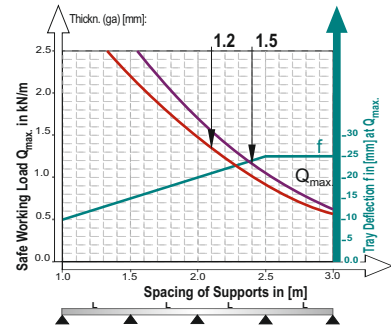
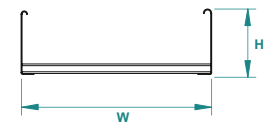
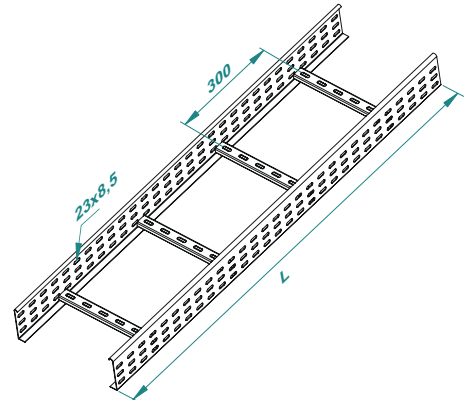
Important!
To install cable ladder - straight use Screw Sets CFS M6 or CFS M8

Pre - Galvanised

FKM ...	H100...	1.2mm		
CODE	Width W mm	Length L mm	Kg 1 mt	pcs
FKM 110 12 PG	100	3000	2.40	2
FKM 115 12 PG	150	3000	2.50	2
FKM 120 12 PG	200	3000	2.60	2
FKM 125 12 PG	250	3000	2.70	2
FKM 130 12 PG	300	3000	2.80	2
FKM 140 12 PG	400	3000	3.00	2
FKM 145 12 PG	450	3000	3.09	2
FKM 150 12 PG	500	3000	3.19	2
FKM 160 12 PG	600	3000	3.39	2

FKM ...	H100...	1.5mm		
CODE	Width W mm	Length L mm	Kg 1 mt	pcs
FKM 110 15 PG	100	3000	3.00	2
FKM 115 15 PG	150	3000	3.13	2
FKM 120 15 PG	200	3000	3.25	2
FKM 125 15 PG	250	3000	3.37	2
FKM 130 15 PG	300	3000	3.50	2
FKM 140 15 PG	400	3000	3.74	2
FKM 145 15 PG	450	3000	3.87	2
FKM 150 15 PG	500	3000	3.99	2
FKM 160 15 PG	600	3000	4.24	2

PKM H100



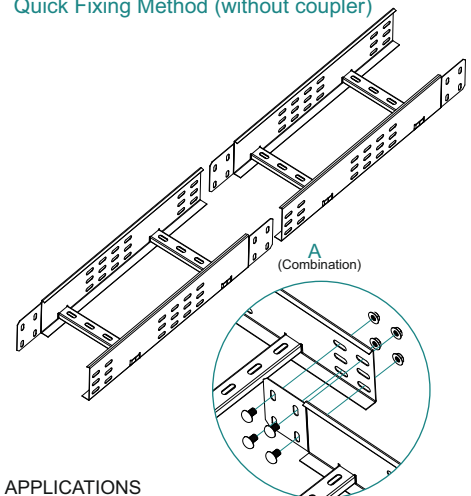
This diagram comply with IEC 61537 with connection to 1/5 of the span and the end span = 0,8x the span

Q = max. admissible load (kg/m)
L = support distance (m)
f = Deflection (mm) / Max. deflection = L/100
Safely co-efficient = 1.5

Width	Usable Cross-Section
50	28 cm ²
100	58 cm ²
150	88 cm ²
200	118 cm ²
300	178 cm ²
400	238 cm ²
500	298 cm ²
600	358 cm ²

FKM H100

Quick Fixing Method (without coupler)



APPLICATIONS

Cable routing

MATERIAL

Steel, strip-galv. acc. to the Sendzimir method to TS-EN 10346:2011 (PG)

Available finishes:

HDG-steel, hot-dip galv. to TS-EN ISO 1461:2011 (HDG)
SS- stainless steel AISI 304L and AISI 316L (SS)
EP- powder coating in a full range of colours (RAL)

Thickn. (ga) [mm]: 1.2 1.5

90° Horizontal Bend of Cable Ladder

90° Хоризонтална стълба



Important!

Joining cable tray sections together only through the use of couplers and Screw Sets CFS M6 or CFS M8

Pre - Galvanised

PM90 ...	H100...	1.2mm		
CODE	Width W a=b	kg 1 pc	pcs	
PM90 110 12 PG	100	1.24	1	
PM90 115 12 PG	150	1.46	1	
PM90 120 12 PG	200	1.66	1	
PM90 125 12 PG	250	1.88	1	
PM90 130 12 PG	300	2.09	1	
PM90 140 12 PG	400	2.51	1	
PM90 145 12 PG	450	2.73	1	
PM90 150 12 PG	500	2.93	1	
PM90 160 12 PG	600	3.36	1	

		1.5mm		
CODE	Width W a=b	kg 1 pc	pcs	
PM90 110 15 PG	100	1.55	1	
PM90 115 15 PG	150	1.82	1	
PM90 120 15 PG	200	2.08	1	
PM90 125 15 PG	250	2.35	1	
PM90 130 15 PG	300	2.61	1	
PM90 140 15 PG	400	3.14	1	
PM90 145 15 PG	450	3.40	1	
PM90 150 15 PG	500	3.67	1	
PM90 160 15 PG	600	4.20	1	

Integrated Type

Important!

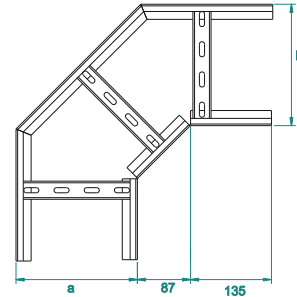
To instal cable tray - bend use Screw Sets CFS M6 OR CFS M8

Pre - Galvanised

MF90 ...	H100...	1.2mm		
CODE	Width W a=b	kg 1 pc	pcs	
MF90 110 12 PG	100	1.24	1	
MF90 115 12 PG	150	1.46	1	
MF90 120 12 PG	200	1.66	1	
MF90 125 12 PG	250	1.88	1	
MF90 130 12 PG	300	2.09	1	
MF90 140 12 PG	400	2.51	1	
MF90 145 12 PG	450	2.73	1	
MF90 150 12 PG	500	2.93	1	
MF90 160 12 PG	600	3.36	1	

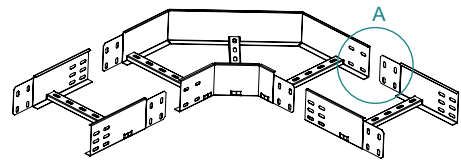
		1.5mm		
CODE	Width W a=b	kg 1 pc	pcs	
MF90 110 15 PG	100	1.55	1	
MF90 115 15 PG	150	1.82	1	
MF90 120 15 PG	200	2.08	1	
MF90 125 15 PG	250	2.35	1	
MF90 130 15 PG	300	2.61	1	
MF90 140 15 PG	400	3.14	1	
MF90 145 15 PG	450	3.40	1	
MF90 150 15 PG	500	3.67	1	
MF90 160 15 PG	600	4.20	1	

PM90 H100

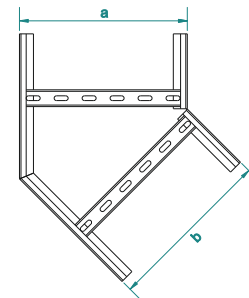


MF90 H100

Quick Fixing Method (without coupler)

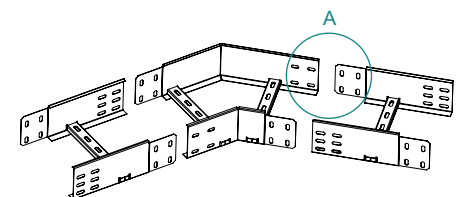


PM45 H100

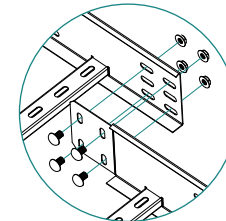


MF45 H100

Quick Fixing Method (without coupler)



(Combination)



45° Horizontal Bend of Cable Ladder

45° Хоризонтална стълба.



Important!

Joining cable tray sections together only through the use of couplers and Screw Sets CFS M6 or CFS M8

Pre - Galvanised

PM45 ...	H100...	1.2mm		
CODE	Width W a=b	kg 1 pc	pcs	
PM45 110 12 PG	100	1.13	1	
PM45 115 12 PG	150	1.24	1	
PM45 120 12 PG	200	1.36	1	
PM45 125 12 PG	250	1.48	1	
PM45 130 12 PG	300	1.61	1	
PM45 140 12 PG	400	1.85	1	
PM45 145 12 PG	450	1.97	1	
PM45 150 12 PG	500	2.09	1	
PM45 160 12 PG	600	2.33	1	

		1.5mm		
CODE	Width W a=b	kg 1 pc	pcs	
PM45 110 15 PG	100	1.41	1	
PM45 115 15 PG	150	1.55	1	
PM45 120 15 PG	200	1.71	1	
PM45 125 15 PG	250	1.86	1	
PM45 130 15 PG	300	2.01	1	
PM45 140 15 PG	400	2.31	1	
PM45 145 15 PG	450	2.46	1	
PM45 150 15 PG	500	2.61	1	
PM45 160 15 PG	600	2.92	1	

Integrated Type

Important!

To instal cable tray - bend use Screw Sets CFS M6 OR CFS M8

Pre - Galvanised

MF45 ...	H100...	1.2mm		
CODE	Width W a=b	kg 1 pc	pcs	
MF45 110 12 PG	100	1.13	1	
MF45 115 12 PG	150	1.24	1	
MF45 120 12 PG	200	1.36	1	
MF45 125 12 PG	250	1.48	1	
MF45 130 12 PG	300	1.61	1	
MF45 140 12 PG	400	1.85	1	
MF45 145 12 PG	450	1.97	1	
MF45 150 12 PG	500	2.09	1	
MF45 160 12 PG	600	2.33	1	

		1.5mm		
CODE	Width W a=b	kg 1 pc	pcs	
MF45 110 15 PG	100	1.41	1	
MF45 115 15 PG	150	1.55	1	
MF45 120 15 PG	200	1.71	1	
MF45 125 15 PG	250	1.86	1	
MF45 130 15 PG	300	2.01	1	
MF45 140 15 PG	400	2.31	1	
MF45 145 15 PG	450	2.46	1	
MF45 150 15 PG	500	2.61	1	
MF45 160 15 PG	600	2.92	1	

APPLICATIONS

Cable routing

MATERIAL

Steel, strip-galv. acc. to the Sendzimir method to TS-EN 10346:2011 (PG)

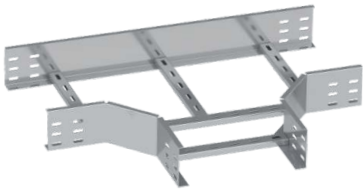
Available finishes:

HDG-steel, hot-dip galv. to TS-EN ISO 1461:2011 (HDG)
 SS- stainless steel AISI 304L and AISI 316L (SS)
 EP- powder coating in a full range of colours (RAL)

Thickn. (ga) [mm]: **1.2 | 1.5**

Tee Horizontal Bend of Cable Ladder

T-образно хоризонтално огъване на кабелна стълба.



Important!

Joining cable tray sections together only through the use of couplers and Screw Sets CFS M6 or CFS M8

Integrated Type

Important!

To instal cable tray - bend use Screw Sets CFS M6 OR CFS M8

Pre - Galvanised

PMT ...	H100...	1.2mm		
CODE	Width W a=b=c	kg 1 pc	pcs	
PMT 110 12 PG	100	1.59	1	
PMT 115 12 PG	150	1.76	1	
PMT 120 12 PG	200	1.92	1	
PMT 125 12 PG	250	2.35	1	
PMT 130 12 PG	300	2.55	1	
PMT 140 12 PG	400	3.25	1	
PMT 145 12 PG	450	3.50	1	
PMT 150 12 PG	500	3.74	1	
PMT 160 12 PG	600	4.22	1	

		1.5mm		
CODE	Width W a=b=c	kg 1 pc	pcs	
PMT 110 15 PG	100	1.93	1	
PMT 115 15 PG	150	2.11	1	
PMT 120 15 PG	200	2.29	1	
PMT 125 15 PG	250	2.73	1	
PMT 130 15 PG	300	2.94	1	
PMT 140 15 PG	400	3.68	1	
PMT 145 15 PG	450	3.93	1	
PMT 150 15 PG	500	4.19	1	
PMT 160 15 PG	600	4.69	1	

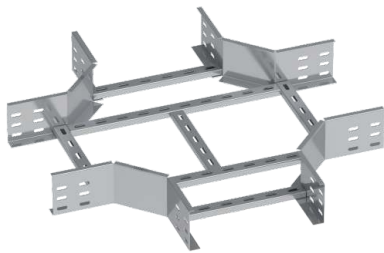
Pre - Galvanised

MFT ...	H100...	1.2mm		
CODE	Width W a=b=c	kg 1 pc	pcs	
MFT 110 12 PG	100	1.59	1	
MFT 115 12 PG	150	1.76	1	
MFT 120 12 PG	200	1.92	1	
MFT 125 12 PG	250	2.35	1	
MFT 130 12 PG	300	2.55	1	
MFT 140 12 PG	400	3.25	1	
MFT 145 12 PG	450	3.50	1	
MFT 150 12 PG	500	3.74	1	
MFT 160 12 PG	600	4.22	1	

		1.5mm		
CODE	Width W a=b=c	kg 1 pc	pcs	
MFT 110 15 PG	100	1.93	1	
MFT 115 15 PG	150	2.11	1	
MFT 120 15 PG	200	2.29	1	
MFT 125 15 PG	250	2.73	1	
MFT 130 15 PG	300	2.94	1	
MFT 140 15 PG	400	3.68	1	
MFT 145 15 PG	450	3.93	1	
MFT 150 15 PG	500	4.19	1	
MFT 160 15 PG	600	4.69	1	

Cross Bend of Cable Ladder

Напречно огъване на кабелна стълба



Important!

Joining cable tray sections together only through the use of couplers and Screw Sets CFS M6 or CFS M8

Integrated Type

Important!

To instal cable tray - bend use Screw Sets CFS M6 OR CFS M8

Pre - Galvanised

PMD...	H100...	1.2mm		
CODE	Width W a=b=c=d	kg 1 pc	pcs	
PMD 110 12 PG	100	1.93	1	
PMD 115 12 PG	150	2.07	1	
PMD 120 12 PG	200	2.22	1	
PMD 125 12 PG	250	2.63	1	
PMD 130 12 PG	300	2.82	1	
PMD 140 12 PG	400	3.19	1	
PMD 145 12 PG	450	3.78	1	
PMD 150 12 PG	500	4.00	1	
PMD 160 12 PG	600	4.45	1	

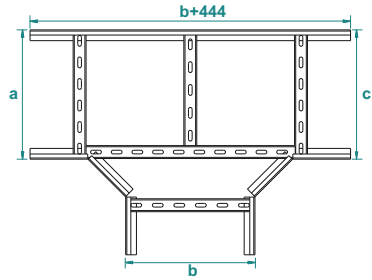
		1.5mm		
CODE	Width W a=b=c=d	kg 1 pc	pcs	
PMD 110 15 PG	100	2.34	1	
PMD 115 15 PG	150	2.49	1	
PMD 120 15 PG	200	2.64	1	
PMD 125 15 PG	250	3.04	1	
PMD 130 15 PG	300	3.23	1	
PMD 140 15 PG	400	3.60	1	
PMD 145 15 PG	450	4.19	1	
PMD 150 15 PG	500	4.42	1	
PMD 160 15 PG	600	4.86	1	

Pre - Galvanised

MFD...	H100...	1.2mm		
CODE	Width W a=b=c=d	kg 1 pc	pcs	
MFD 110 12 PG	100	1.93	1	
MFD 115 12 PG	150	2.07	1	
MFD 120 12 PG	200	2.22	1	
MFD 125 12 PG	250	2.63	1	
MFD 130 12 PG	300	2.82	1	
MFD 140 12 PG	400	3.19	1	
MFD 145 12 PG	450	3.78	1	
MFD 150 12 PG	500	4.00	1	
MFD 160 12 PG	600	4.45	1	

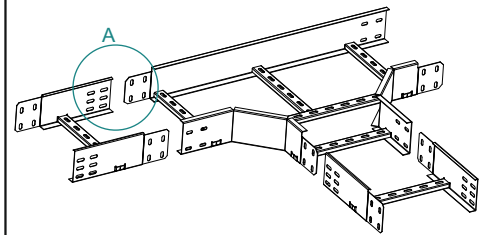
		1.5mm		
CODE	Width W a=b=c=d	kg 1 pc	pcs	
MFD 110 15 PG	100	2.34	1	
MFD 115 15 PG	150	2.49	1	
MFD 120 15 PG	200	2.64	1	
MFD 125 15 PG	250	3.04	1	
MFD 130 15 PG	300	3.23	1	
MFD 140 15 PG	400	3.60	1	
MFD 145 15 PG	450	4.19	1	
MFD 150 15 PG	500	4.42	1	
MFD 160 15 PG	600	4.86	1	

PMT H100

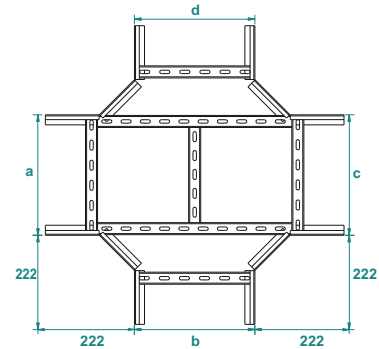


MFT H100

Quick Fixing Method (without coupler)

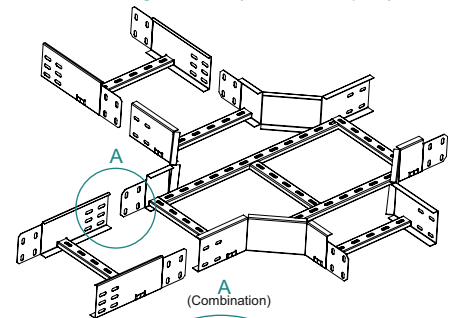


PMD H100



MFD H100

Quick Fixing Method (without coupler)



APPLICATIONS

Cable routing

MATERIAL

Steel, strip-galv. acc. to the Sendzimir method to TS-EN 10346:2011 (PG)

Available finishes:

HDG-steel, hot-dip galv. to TS-EN ISO 1461:2011 (HDG)
SS- stainless steel AISI 304L and AISI 316L (SS)
EP- powder coating in a full range of colours (RAL)

Thickn. (ga) [mm]: **1.2 | 1.5**

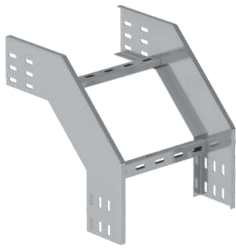
Cable Ladder Systems of Side Height H100



ЕНЕРДЖИ ГРУП ООД

Vertical 90° Outside Bend of Cable Ladder (Stable)

Вертикално 90° външно огъване на кабелна стълба (стабилна)



Important!

Joining cable tray sections together only through the use of couplers and Screw Sets CFS M6 or CFS M8

Pre - Galvanized

PMDS ...	H100...	1.2mm		
CODE	Width W a mm	kg 1 pc	pcs	
PMDS 110 12 PG	100	1.50	1	
PMDS 115 12 PG	150	1.59	1	
PMDS 120 12 PG	200	1.68	1	
PMDS 125 12 PG	250	1.77	1	
PMDS 130 12 PG	300	1.86	1	
PMDS 140 12 PG	400	2.37	1	
PMDS 145 12 PG	450	2.46	1	
PMDS 150 12 PG	500	2.55	1	
PMDS 160 12 PG	600	2.72	1	

		1.5mm		
CODE	Width W a mm	kg 1 pc	pcs	
PMDS 110 15 PG	100	1.88	1	
PMDS 115 15 PG	150	1.99	1	
PMDS 120 15 PG	200	2.10	1	
PMDS 125 15 PG	250	2.21	1	
PMDS 130 15 PG	300	2.32	1	
PMDS 140 15 PG	400	2.96	1	
PMDS 145 15 PG	450	3.07	1	
PMDS 150 15 PG	500	3.18	1	
PMDS 160 15 PG	600	3.41	1	

Integrated Type

Important!

To instal cable tray - bend use Screw Sets CFS M6 OR CFS M8

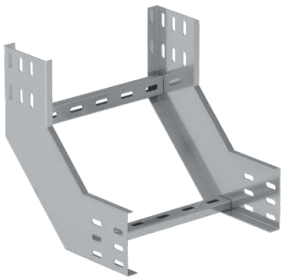
Pre - Galvanized

MFDS ...	H100...	1.2mm		
CODE	Width W a mm	kg 1 pc	pcs	
MFDS 110 12 PG	100	1.50	1	
MFDS 115 12 PG	150	1.59	1	
MFDS 120 12 PG	200	1.68	1	
MFDS 125 12 PG	250	1.77	1	
MFDS 130 12 PG	300	1.86	1	
MFDS 140 12 PG	400	2.37	1	
MFDS 145 12 PG	450	2.46	1	
MFDS 150 12 PG	500	2.55	1	
MFDS 160 12 PG	600	2.72	1	

		1.5mm		
CODE	Width W a mm	kg 1 pc	pcs	
MFDS 110 15 PG	100	1.88	1	
MFDS 115 15 PG	150	1.99	1	
MFDS 120 15 PG	200	2.10	1	
MFDS 125 15 PG	250	2.21	1	
MFDS 130 15 PG	300	2.32	1	
MFDS 140 15 PG	400	2.96	1	
MFDS 145 15 PG	450	3.07	1	
MFDS 150 15 PG	500	3.18	1	
MFDS 160 15 PG	600	3.41	1	

Vertical 90° Inside Bend of Cable Ladder (Stable)

Вертикално 90° вътрешно огъване на кабелна стълба (стабилна).



Important!

Joining cable tray sections together only through the use of couplers and Screw Sets CFS M6 or CFS M8

Pre - Galvanized

PMIS...	H100...	1.2mm		
CODE	Width W a=b	kg 1 pc	pcs	
PMIS 110 12 PG	100	1.50	1	
PMIS 115 12 PG	150	1.59	1	
PMIS 120 12 PG	200	1.68	1	
PMIS 125 12 PG	250	1.77	1	
PMIS 130 12 PG	300	1.86	1	
PMIS 140 12 PG	400	2.37	1	
PMIS 145 12 PG	450	2.46	1	
PMIS 150 12 PG	500	2.55	1	
PMIS 160 12 PG	600	2.72	1	

		1.5mm		
CODE	Width W a=b	kg 1 pc	pcs	
PMIS 110 15 PG	100	1.88	1	
PMIS 115 15 PG	150	1.99	1	
PMIS 120 15 PG	200	2.10	1	
PMIS 125 15 PG	250	2.21	1	
PMIS 130 15 PG	300	2.32	1	
PMIS 140 15 PG	400	2.96	1	
PMIS 145 15 PG	450	3.07	1	
PMIS 150 15 PG	500	3.18	1	
PMIS 160 15 PG	600	3.41	1	

Integrated Type

Important!

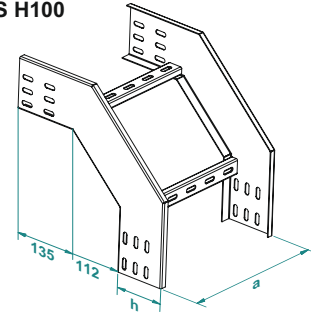
To instal cable tray - bend use Screw Sets CFS M6 OR CFS M8

Pre - Galvanized

MFIS...	H100...	1.2mm		
CODE	Width W a=b	kg 1 pc	pcs	
MFIS 110 12 PG	100	1.50	1	
MFIS 115 12 PG	150	1.59	1	
MFIS 120 12 PG	200	1.68	1	
MFIS 125 12 PG	250	1.77	1	
MFIS 130 12 PG	300	1.86	1	
MFIS 140 12 PG	400	2.37	1	
MFIS 145 12 PG	450	2.46	1	
MFIS 150 12 PG	500	2.55	1	
MFIS 160 12 PG	600	2.72	1	

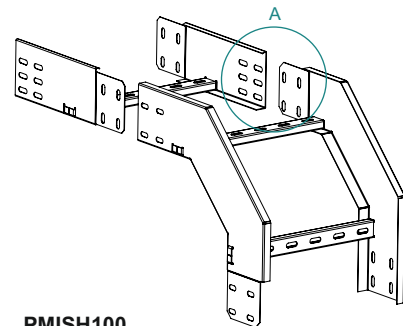
		1.5mm		
CODE	Width W a=b	kg 1 pc	pcs	
MFIS 110 15 PG	100	1.88	1	
MFIS 115 15 PG	150	1.99	1	
MFIS 120 15 PG	200	2.10	1	
MFIS 125 15 PG	250	2.21	1	
MFIS 130 15 PG	300	2.32	1	
MFIS 140 15 PG	400	2.96	1	
MFIS 145 15 PG	450	3.07	1	
MFIS 150 15 PG	500	3.18	1	
MFIS 160 15 PG	600	3.41	1	

PMDS H100

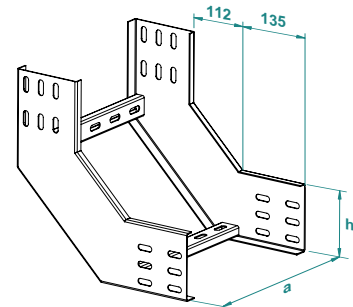


PMDS H100

Quick Fixing Method (without coupler)

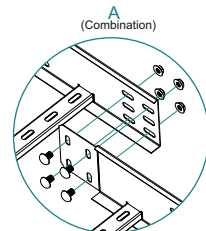
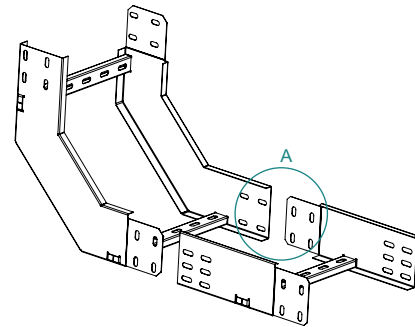


PMISH100



PMDS H100

Quick Fixing Method (without coupler)



APPLICATIONS

Cable routing

MATERIAL

Steel, strip-galv. acc. to the Sendzimir method to TS-EN 10346:2011 (PG)

Available finishes:

HDC-steel, hot-dip galv. to TS-EN ISO 1461:2011 (HDG)
 SS- stainless steel AISI 304L and AISI 316L (SS)
 EP- powder coating in a full range of colours (RAL)

Thickn. (ga) [mm]: 1.2 | 1.5

Cable Ladder Systems of Side Height H100



ЕНЕРДЖИ ГРУП ООД

Modular Adjustable Cable Ladder Riser

Модулен регулируем щранг за кабелна стълба



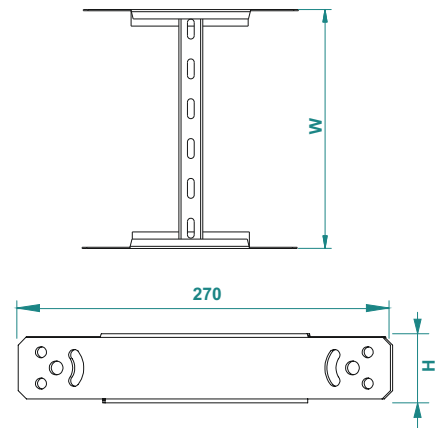
Important!
To install cable tray - bend use Screw Sets CFS M6 or CFS M8

Pre - Galvanised

PMMB ...	H100...	1.2mm		
CODE	Width W a mm	KG 1 pc	pcs	
PMMB 110 12 PG	100	0.72	1	
PMMB 115 12 PG	150	0.75	1	
PMMB 120 12 PG	200	0.78	1	
PMMB 125 12 PG	250	0.81	1	
PMMB 130 12 PG	300	0.84	1	
PMMB 140 12 PG	400	0.89	1	
PMMB 145 12 PG	450	0.92	1	
PMMB 150 12 PG	500	0.95	1	
PMMB 160 12 PG	600	1.01	1	

PMMB ...	H100...	1.5mm		
CODE	Width W a mm	KG 1 pc	pcs	
PMMB 110 15 PG	100	0.90	1	
PMMB 115 15 PG	150	0.94	1	
PMMB 120 15 PG	200	0.98	1	
PMMB 125 15 PG	250	1.01	1	
PMMB 130 15 PG	300	1.05	1	
PMMB 140 15 PG	400	1.12	1	
PMMB 145 15 PG	450	1.16	1	
PMMB 150 15 PG	500	1.20	1	
PMMB 160 15 PG	600	1.27	1	

PMMB H100



Seperator



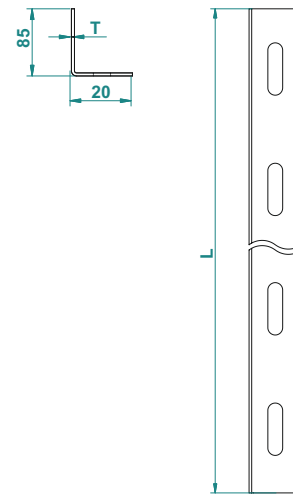
To Install Seperator use CFS bolts and nuts. (M6 or M8)

Pre - Galvanised

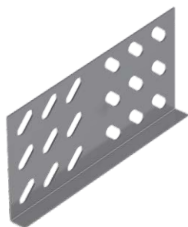
SEP 1 ... H85		1.0mm		
CODE	Length L mm	KG 1m	pcs	
SEP 185 10 PG	3000	0.75	1	

SEP 1 ... H85		1.5mm		
CODE	Length L mm	KG 1m	pcs	
SEP 185 15 PG	3000	1.12	1	

SEP 1 H85



Straight Connector (Coupler)



To Install one length ;use 2 pieces of KBE connector 8 sets of CFS bolts and nuts. (M6 or M8)

Pre - Galvanised

KBE 2 ... H100		1.2mm		
CODE	Length L mm	KG 1pc	pcs	
KBE 210 12 PG	175	0.14	100	

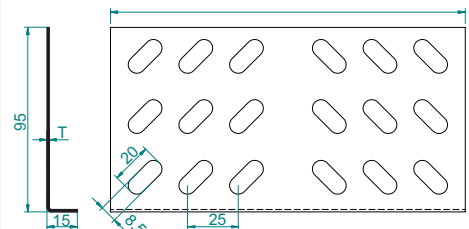
KBE 2 ... H100		1.5mm		
CODE	Length L mm	KG 1 pc	pcs	
KBE 210 15 PG	0,15	0.18	100	

Electro - Galvanized

CFS M6		M6		
CODE	Size mm	Length L mm	KG 1Set	pcs
CFS M6 EG	M6	15	0,008	500

CFS M8		M8		
CODE	Size mm	Length L mm	KG 1Set	pcs
CFS M8 EG	M8	15	0,014	500

KBE 2 H100



M6x15 Round head squire neck bolt & M6 Flanged nut

APPLICATIONS

Cable routing

MATERIAL

Steel, strip-galv. acc. to the Sendzimir method to TS-EN 10346:2011 (PG)

Available finishes:

HDG-steel, hot-dip galv. to TS-EN ISO 1461:2011 (HDG)
SS- stainless steel AISI 304L and AISI 316L (SS)
EP- powder coating in a full range of colours (RAL)

Thickn. (ga) [mm]: **1.2 1.5**

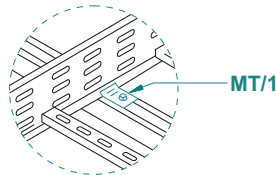
Cable Ladder Systems of Side Height H100



ЕНЕРДЖИ ГРУП ООД

Fixing Unit for Cable Ladder

Фиксиращ модул за кабелна стълба



Pre - Galvanized

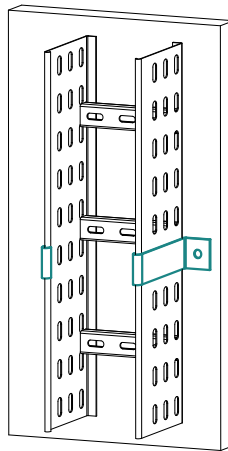
MT/1		3.0mm		
CODE	Size h mm	Thickness T mm	kg ad/pc	pcs
MT/1 PG	35x50	3,0	0,040	100

Hot Dip Galvanized

MT/1		3.0mm		
CODE	Size h mm	Thickness T mm	kg ad/pc	pcs
MT/1 HDG	35x50	3,0	0,040	100

Fixing Unit for Cable Ladder

Фиксиращ модул за кабелна стълба

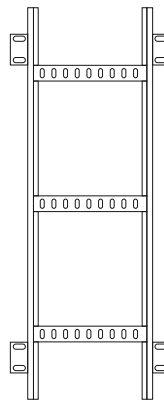


Hot-Dip Galvanized

MT/2 ...		1.5mm		
CODE	Height h mm	Fixing Hole D mm	kg 1m	pcs
MT/2 50 HDG	55	11	0.08	100
MT/2 60 HDG	65	11	0.09	100
MT/2 75 HDG	75	11	0.10	100
MT/2 80 HDG	85	11	0.11	100
MT/2 10 HDG	105	11	0.12	100
MT/2 12 HDG	130	11	0.13	100
MT/2 15 HDG	155	11	0.14	100

Wall Fixing Bracket

Скоба за фиксиране на стена

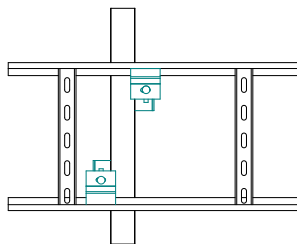


Pre - Galvanized

DKE				
CODE	Height H mm	Length L mm	kg 1 pc	pcs
DKE 90 PG	90	70	0.14	1

Beam Fixing Unit For Cable Ladder (Set)

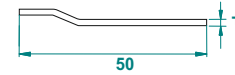
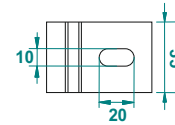
Фиксиращ елемент за греда за кабелна стълба (Комплект)



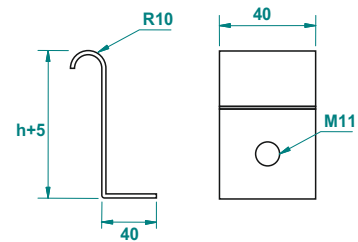
Stainless Steel - AISI 304L

MT/3		2.0mm		
CODE	Bolt Metric mm	Thickness T mm	kg ad/pc	pcs
MT/3 S4	M6x30	2,0	0,12	100

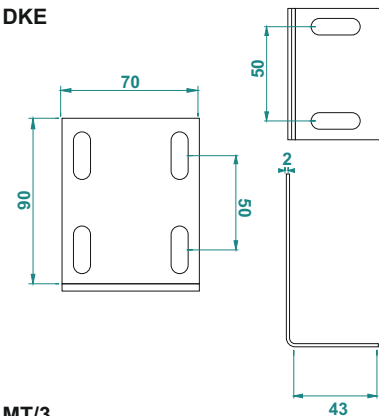
MT/1



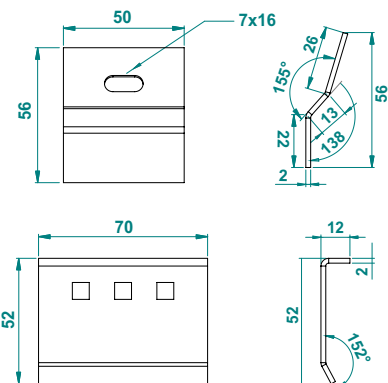
MT/2



DKE



MT/3



APPLICATIONS

Cable routing

MATERIAL

HDG-steel, hot-dip galv. to TS-EN ISO 1461:2011 (HDG)

Available finishes:

Steel, strip-galv. acc. to the Sendzimir method

to TS-EN 10346:2011 (PG)

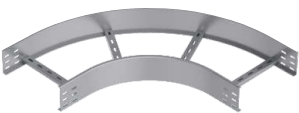
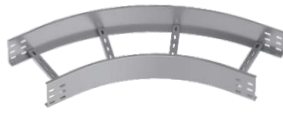


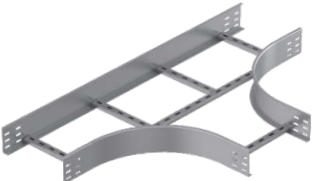
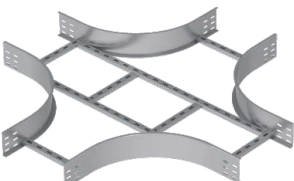
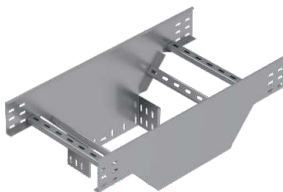
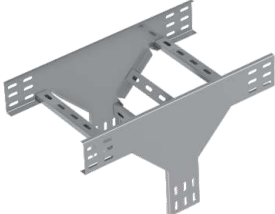


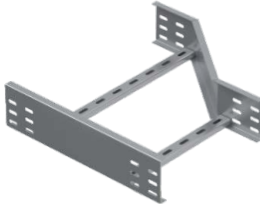




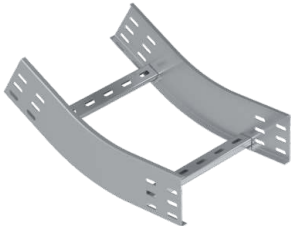



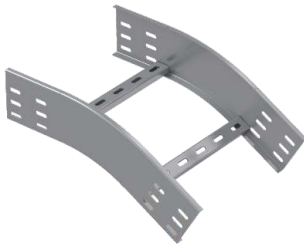
SS- stainless steel AISI 304L and AISI 316L (SS)

EP- powder coating in a full range of colours (RAL)

Thickn. (ga) [mm]: 1.5 2.0

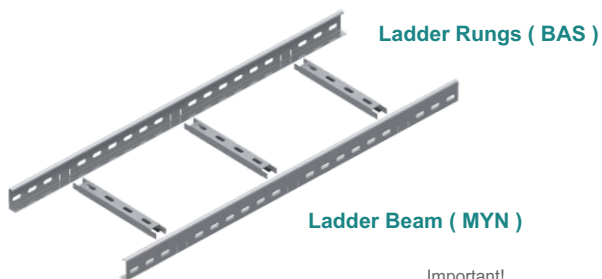
Cable Ladder Bends and Accessories

Огъвания за кабелни стълби и аксесоари

<p>90° Horizontal Bend of Cable Ladder</p>  <p>M90R2 - M90R4 R300 - R600</p>	<p>60° Horizontal Bend of Cable Ladder</p>  <p>M60R2 - M60R4 R300 - R600</p>	<p>45° Horizontal Bend of Cable Ladder</p>  <p>M45R2 - M45R4 R300 - R600</p>	<p>30° Horizontal Bend of Cable Ladder</p>  <p>M30R2 - M30R4 R300 - R600</p>
<p>Tee Horizontal Bend of Cable Ladder</p>  <p>MTR2 - MTR4 R300 - R600</p>	<p>Cross Bend of Cable Tray</p>  <p>MDR2 - MDR4 R300 - R600</p>	<p>Vertical Tee Bend (Lengthwise)</p>  <p>MDT</p>	<p>Cross Bend of Cable Tray</p>  <p>MMT</p>
<p>Middle Reducer Bend of Cable Ladder</p>  <p>ROSM</p>	<p>Left Reducer Bend of Cable Ladder</p>  <p>RLSM</p>	<p>Right Reducer Bend of Cable Tray</p>  <p>RGSM</p>	<p>Vertical Outside Bend of Cable Tray</p>  <p>MMD</p>
<p>Vertical 90° Inside Bend Of Cable Ladder</p>  <p>MISR2 - MISR4 R300 - R600</p>	<p>Vertical 60° Inside Bend Of Cable Ladder</p>  <p>MIS60R2 - MIS60R4 R300 - R600</p>	<p>Vertical 45° Inside Bend Of Cable Ladder</p>  <p>MIS45R2 - MIS45R4 R300 - R600</p>	<p>Vertical 30° Inside Bend Of Cable Ladder</p>  <p>MIS30R2 - MIS30R4 R300 - R600</p>
<p>Vertical 90° Outside Bend Of Cable Ladder</p>  <p>MDSR2 - MDSR4 R300 - R600</p>	<p>Vertical 60° Outside Bend Of Cable Ladder</p>  <p>MDS60R2 - MDS60R4 R300 - R600</p>	<p>Vertical 45° Outside Bend Of Cable Ladder</p>  <p>MDS45R2 - MDS45R4 R300 - R600</p>	<p>Vertical 30° Outside Bend Of Cable Ladder</p>  <p>MDS30R2 - MDS30R4 R300 - R600</p>

Modular Cable Ladder Side Beam

Странична греда на модулна кабелна стълба



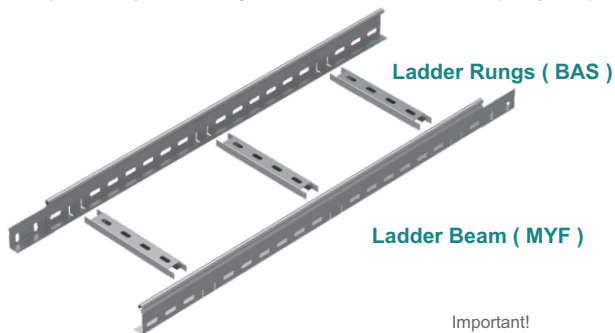
Important!
To make modular cable ladder use BAS rungs

Pre - Galvanized

MYN				MYN			
1.2mm				1.5mm			
CODE	Height H mm	Kg 1 mt	pcs	CODE	Height H mm	Kg 1 mt	pcs
MYN 40 12 PG	40	0.59	1	MYN 40 15 PG	40	0.74	1
MYN 50 12 PG	50	0.68	1	MYN 50 15 PG	50	0.85	1
MYN 60 12 PG	60	0.76	1	MYN 60 15 PG	60	0.95	1
MYN 70 12 PG	70	0.85	1	MYN 70 15 PG	70	1.06	1
MYN 80 12 PG	80	0.93	1	MYN 80 15 PG	80	1.17	1
MYN 100 12 PG	100	1.10	1	MYN 100 15 PG	100	1.38	1

Modular Cable Ladder Side Beam - Quick Fix Type

Странична греда на модулна кабелна стълба - тип бързо фиксиране



Important!
To make modular cable ladder use BAS rungs

Pre - Galvanized

MYF				MYF			
1.0mm				1.2mm			
CODE	Height H mm	Kg 1 mt	pcs	CODE	Height H mm	Kg 1 mt	pcs
MYF 40 10 PG	40	0.47	1	MYF 40 12 PG	40	0.59	1
MYF 50 10 PG	50	0.54	1	MYF 50 12 PG	50	0.68	1
MYF 60 10 PG	60	0.61	1	MYF 60 12 PG	60	0.76	1
MYF 70 10 PG	70	0.68	1	MYF 70 12 PG	70	0.85	1
MYF 80 10 PG	80	0.74	1	MYF 80 12 PG	80	0.93	1
MYF 100 10 PG	100	0.88	1	MYF 100 12 PG	100	1.10	1

35x15 Modular Cable Ladder Rung

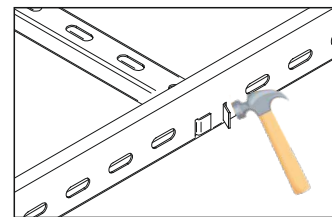
35x15 Модулно стъпало за кабелна стълба



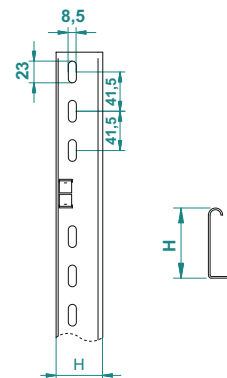
Important!
To make modular cable ladder - use MYN side beams

Pre - Galvanized

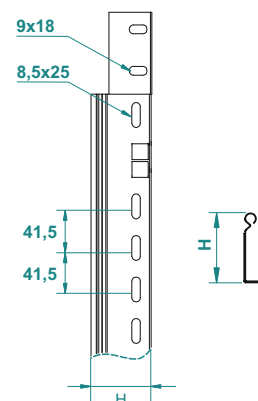
BAS				BAS			
1.0mm				1.2mm			
CODE	Width W mm	Kg 1 pc	pcs	CODE	Width W mm	Kg 1 pc	pcs
BAS 100 10 PG	100	0.06	1	BAS 100 12 PG	100	0.07	1
BAS 150 10 PG	150	0.08	1	BAS 150 12 PG	150	0.10	1
BAS 200 10 PG	200	0.11	1	BAS 200 12 PG	200	0.13	1
BAS 250 10 PG	250	0.13	1	BAS 250 12 PG	250	0.16	1
BAS 300 10 PG	300	0.16	1	BAS 300 12 PG	300	0.19	1
BAS 400 10 PG	400	0.20	1	BAS 400 12 PG	400	0.25	1
BAS 450 10 PG	450	0.22	1	BAS 450 12 PG	450	0.28	1
BAS 500 10 PG	500	0.26	1	BAS 500 12 PG	500	0.31	1
BAS 600 10 PG	600	0.31	1	BAS 600 12 PG	600	0.37	1



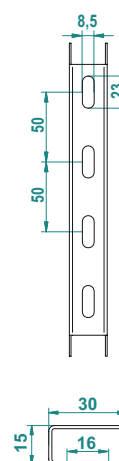
MYN



MYF



BAS



APPLICATIONS

Cable routing

MATERIAL

Steel, strip-galv. acc. to the Sendzimir method to TS-EN 10346:2011 (PG)

Available finishes:

HDG-steel, hot-dip galv. to TS-EN ISO 1461:2011 (HDG)

SS- stainless steel AISI 304L and AISI 316L (SS)

EP- powder coating in a full range of colours (RAL)

Thickn. (ga) [mm]:

1.2 1.5