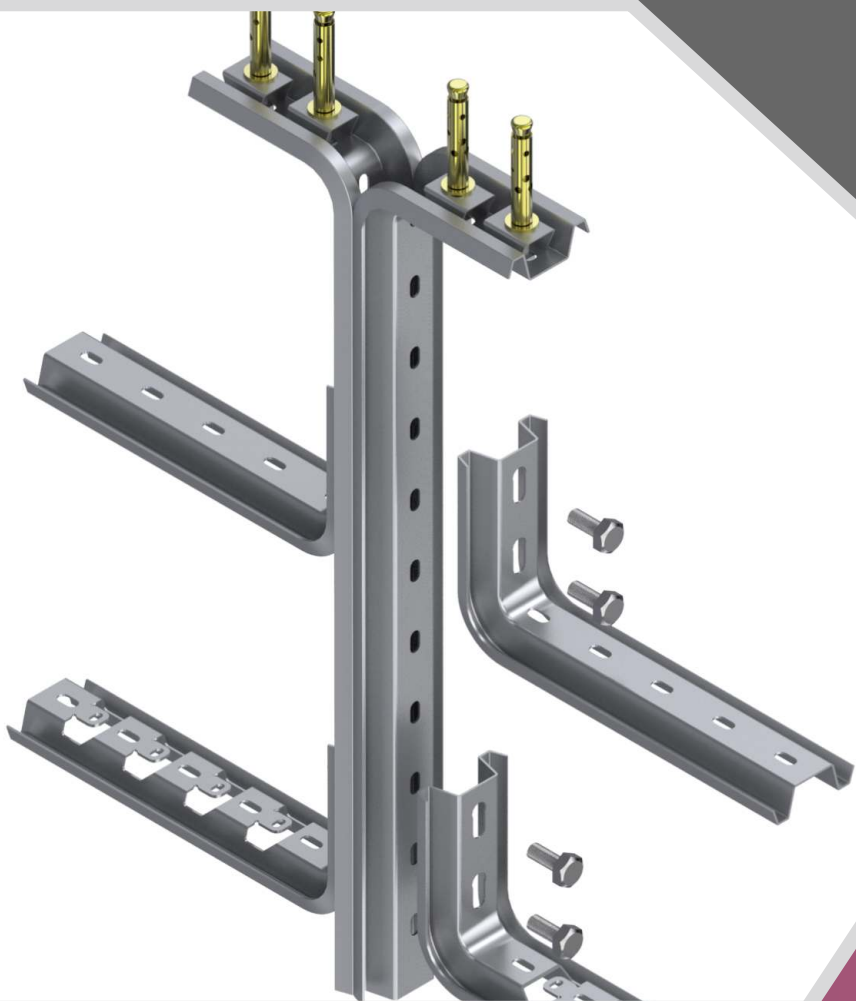




**ЕНЕРДЖИ ГРУП ООД**

**ПОДДЪРЖАЩИ ОМЕГА СИСТЕМИ**

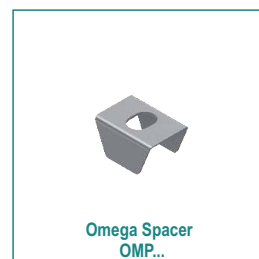
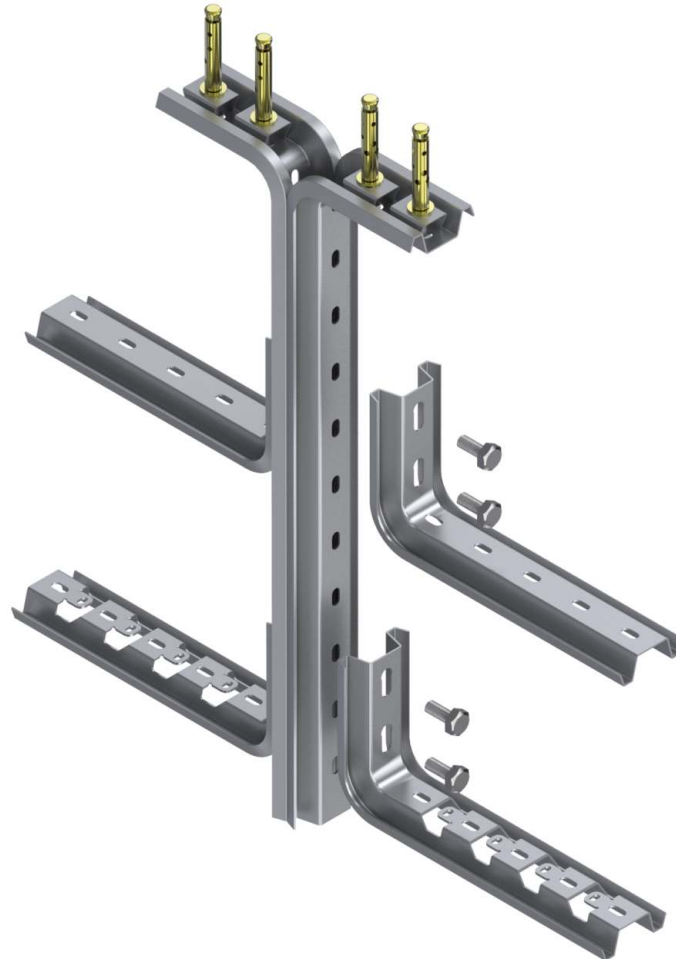


**OMEGA SUPPORT  
SYSTEMS**

**Системи за електрически кабелни скари**

**[www.abelectric.bg](http://www.abelectric.bg)  
[www.abenergygroup.bg](http://www.abenergygroup.bg)**

## поддържащи омега системи



## Omega "C" Bracket

Омега "C" скоба



### Pre-Galvanized

DKC ...					
CODE	Length L mm	F.max KN	kg 1pc	pcs	
DKC 10 PG	145	1.3	0.58	30	
DKC 15 PG	195	1.0	0.64	25	
DKC 20 PG	245	0.8	0.71	20	
DKC 30 PG	345	0.5	0.85	15	
DKC 40 PG	445	0.3	0.99	10	

### Hot-Dip Galvanized

DKC ...					
CODE	Length L mm	F.max KN	kg 1pc	pcs	
DKC 10 HDG	145	1.3	0.58	30	
DKC 15 HDG	195	1.0	0.64	25	
DKC 20 HDG	245	0.8	0.71	20	
DKC 30 HDG	345	0.5	0.85	15	
DKC 40 HDG	445	0.3	0.99	10	

## Omega "C" Bracket (Universal)

Омега "C" скоба (универсална)



### Pre-Galvanized

WBC ...					
CODE	Length L mm	F.max KN	kg 1pc	pcs	
WBC 10 PG	170	1.3	0.66	30	
WBC 15 PG	220	1.0	0.73	25	
WBC 20 PG	270	0.8	0.80	20	
WBC 30 PG	370	0.5	0.94	15	
WBC 40 PG	470	0.3	1.08	10	

### Hot-Dip Galvanized

WBC ...					
CODE	Length L mm	F.max KN	kg 1pc	pcs	
WBC 10 HDG	170	1.3	0.66	30	
WBC 15 HDG	220	1.0	0.73	25	
WBC 20 HDG	270	0.8	0.80	20	
WBC 30 HDG	370	0.5	0.94	15	
WBC 40 HDG	470	0.3	1.08	10	

## Omega Spacer

Омега дистанционер



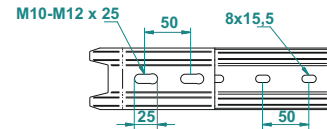
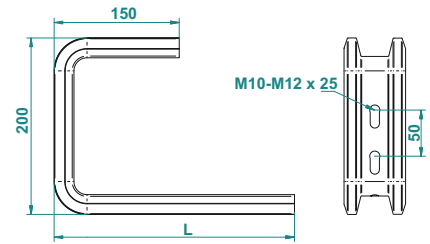
### Pre-Galvanized

OMP			
CODE	kg	pcs	
OMP PG	0.02	100	

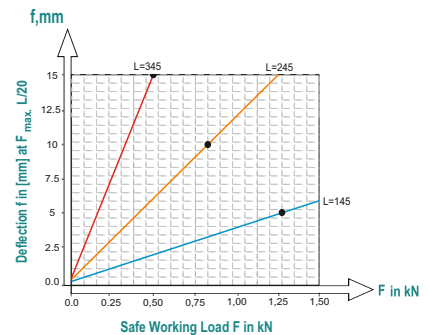
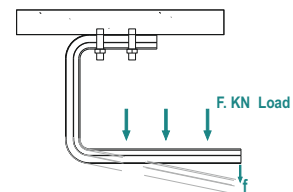
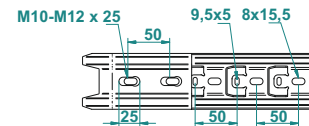
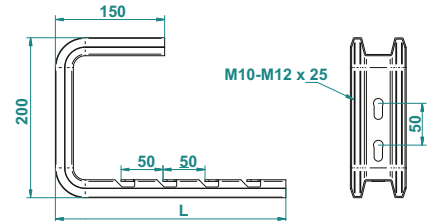
### Hot-Dip Galvanized

OMP			
CODE	kg	pcs	
OMP HDG	0.02	100	

### DKC



### WBC



### APPLICATIONS

Cable routing / Standard : IEC 61537

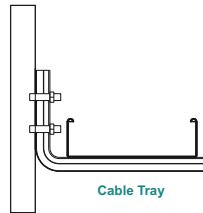
#### Available finishes:

Steel, hot-dip galv. to TS-EN ISO 1461:2011 (HDG)  
 PG- Steel, strip-galv. acc. to the Sendzimir method to TS-EN 10346:2011 (PG)  
 SS- stainless steel AISI 304L and AISI 316L (SS)  
 EP- powder coating in a full range of colours (RAL)

Thickn. (ga) [mm]: **2.0**

## Omega "L" Bracket

Омега "L" скоба



### Pre-Galvanized

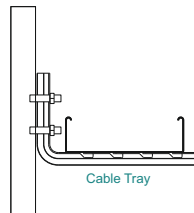
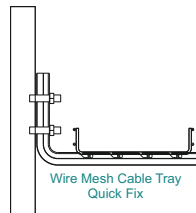
DKL ...					
CODE	Length L mm	F.max KN	kg 1pc	pcs	
DKL 10 PG	145	1.5	0.38	50	
DKL 15 PG	195	1.0	0.46	50	
DKL 20 PG	245	0.8	0.53	50	
DKL 30 PG	345	0.5	0.69	25	

### Hot-Dip Galvanized

DKL ...					
CODE	Length L mm	F.max KN	kg 1pc	pcs	
DKL 10 HDG	145	1.5	0.38	50	
DKL 15 HDG	195	1.0	0.46	50	
DKL 20 HDG	245	0.8	0.53	50	
DKL 30 HDG	345	0.5	0.69	25	

## Omega "L" Bracket ( Universal )

Омега "L" скоба (универсална)



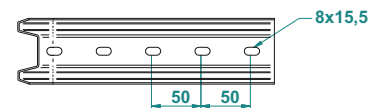
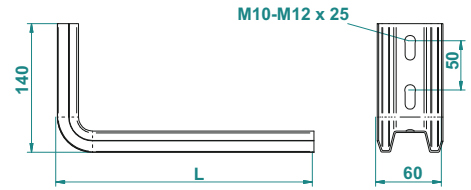
### Pre-Galvanized

WBL ...					
CODE	Length L mm	F.max KN	kg 1pc	pcs	
WBL 10 PG	170	1.5	0.43	50	
WBL 15 PG	220	1.0	0.50	50	
WBL 20 PG	270	0.8	0.57	50	
WBL 30 PG	370	0.5	0.71	25	
WBL 40 PG	470	0.3	0.85	25	

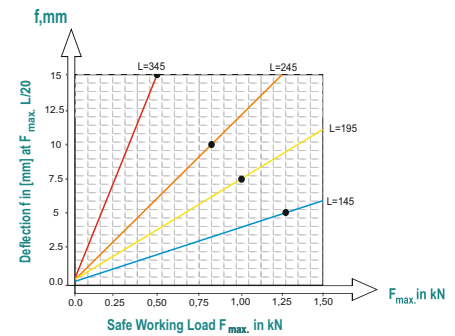
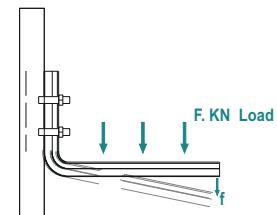
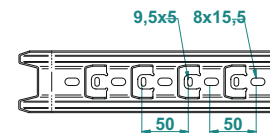
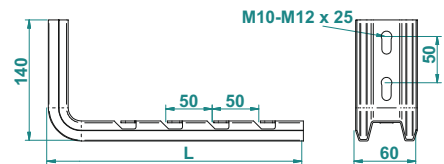
### Hot-Dip Galvanized

WBL ...					
CODE	Length L mm	F.max KN	kg 1pc	pcs	
WBL 10 HDG	170	1.5	0.43	50	
WBL 15 HDG	220	1.0	0.50	50	
WBL 20 HDG	270	0.8	0.57	50	
WBL 30 HDG	370	0.5	0.71	25	
WBL 40 HDG	470	0.3	0.85	25	

### DKL



### WBL



### APPLICATIONS

Cable routing / Standard : IEC 61537

### Available finishes:

Steel, hot-dip galv. to TS-EN ISO 1461:2011 (HDG)  
 PG- Steel, strip-galv. acc. to the Sendzimir method to TS-EN 10346:2011 (PG)  
 SS- stainless steel AISI 304L and AISI 316L (SS)  
 EP- powder coating in a full range of colours (RAL)

Thickn. (ga) [mm]: **2.0**

## Omega "L" Bracket (hanging support)

Омега "L" скоба (опора за окачване)

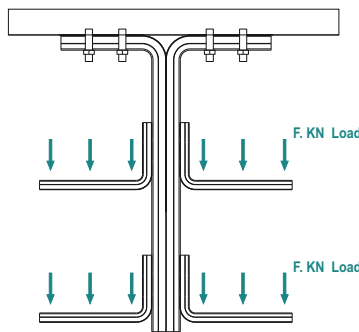
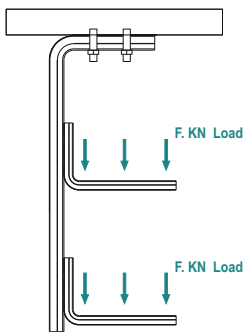


### Pre-Galvanized

DKL ...					
CODE	Length L mm	F.max KN	kg	pcs	
DKL 40 PG	445	1.0	0.84	25	
DKL 50 PG	545	0.8	0.99	25	
DKL 60 PG	645	0.6	1.14	25	

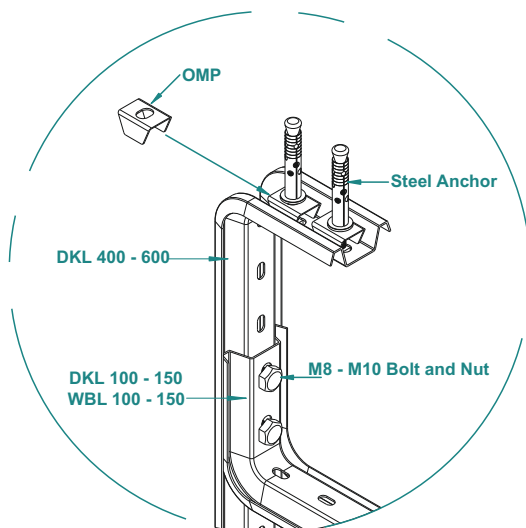
### Hot-Dip Galvanized

DKL ...					
CODE	Length L mm	F.max KN	kg	pcs	
DKL 40 HDG	445	1.0	0.84	25	
DKL 50 HDG	545	0.8	0.99	25	
DKL 60 HDG	645	0.6	1.14	25	

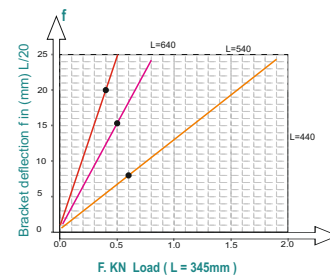
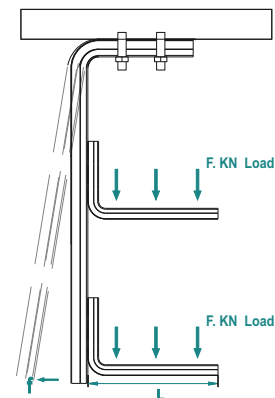
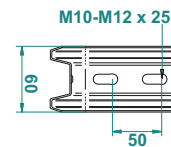
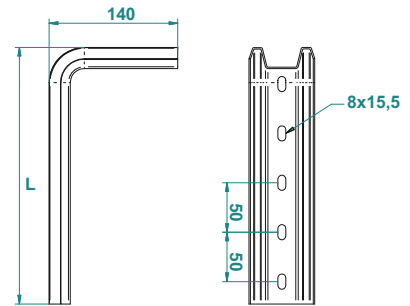


Single - Sided	Maxi Load F (KN)		
	Bracket Width		
L	145	245	345
445	1.5	1.0	0.6
545	1.5	1.0	0.5
645	1.2	0.7	0.4

Double - Sided	Maxi Load F (KN)		
	Bracket Width		
L	145	245	345
445	1.5	1.5	1.2
545	1.5	1.4	1.1
645	1.5	1.2	1.0



DETAIL A



### APPLICATIONS

Cable routing / Standard : IEC 61537

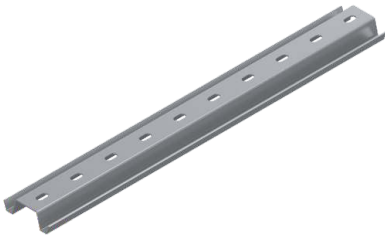
### Available finishes:

Steel, hot-dip galv. to TS-EN ISO 1461:2011 (HDG)  
 PG- Steel, strip-galv. acc. to the Sendzimir method to TS-EN 10346:2011 (PG)  
 SS- stainless steel AISI 304L and AISI 316L (SS)  
 EP- powder coating in a full range of colours (RAL)

Thickn. (ga) [mm]: **2.0**

## Omega Profile

Омега профил



### Pre-Galvanized

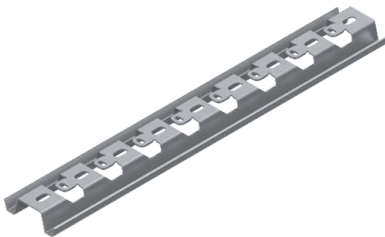
CP ...					
CODE	Size	Length L mm	kg 1m	pcs	
CP 300 PG	60x20	3000	1,52	10	
CP 250 PG	60x20	2500	1,52	10	
CP 200 PG	60x20	2000	1,52	10	

### Hot-Dip Galvanized

CP ...					
CODE	Size	Length L mm	kg 1m	pcs	
CP 300 HDG	60x20	3000	1,52	10	
CP 250 HDG	60x20	2500	1,52	10	
CP 200 HDG	60x20	2000	1,52	10	

## Omega Profile ( Universal )

Омега профил ( универсален )

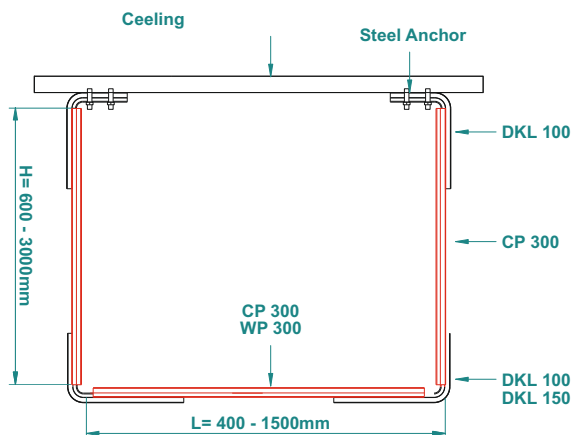


### Pre-Galvanized

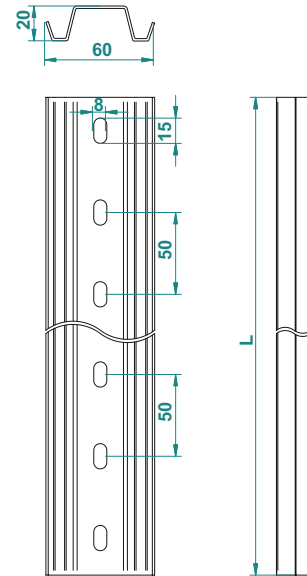
WP ...					
CODE	Size	Length L mm	kg 1m	pcs	
WP 300 PG	60x20	3000	1,52	10	
WP 250 PG	60x20	2500	1,52	10	
WP 200 PG	60x20	2000	1,52	10	

### Hot-Dip Galvanized

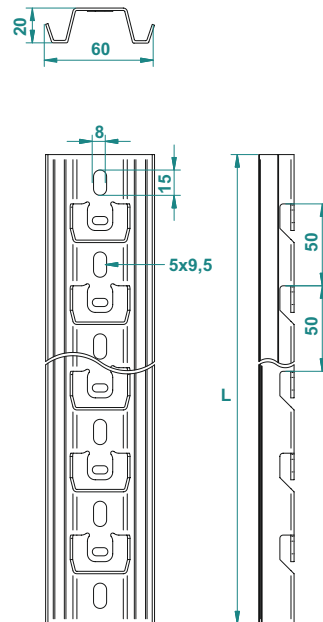
WP ...					
CODE	Size	Length L mm	kg 1m	pcs	
WP 300 HDG	60x20	3000	1,52	10	
WP 250 HDG	60x20	2500	1,52	10	
WP 200 HDG	60x20	2000	1,52	10	



CP



WP



### APPLICATIONS

Cable routing / Standard : IEC 61537

### Available finishes:

Steel, hot-dip galv. to TS-EN ISO 1461:2011 (HDG)  
 PG- Steel, strip-galv. acc. to the Sendzimir method to TS-EN 10346:2011 (PG)  
 SS- stainless steel AISI 304L and AISI 316L (SS)  
 EP- powder coating in a full range of colours (RAL)

Thickn. (ga) [mm]: 1.5 2.0

Монтаж

