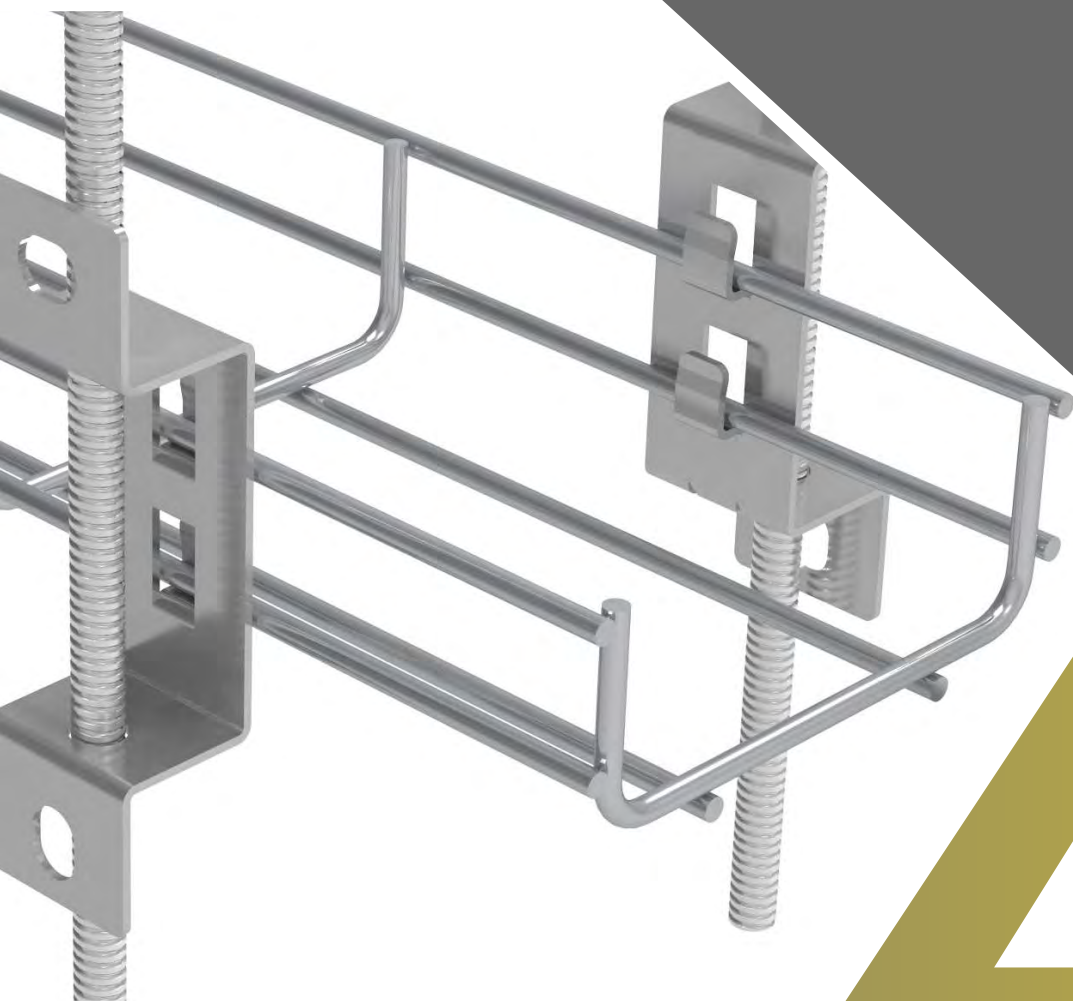




ЕНЕРДЖИ ГРУП ООД

Кабелни скари от телена мрежа



**WIRE MESH
CABLE TRAYS**

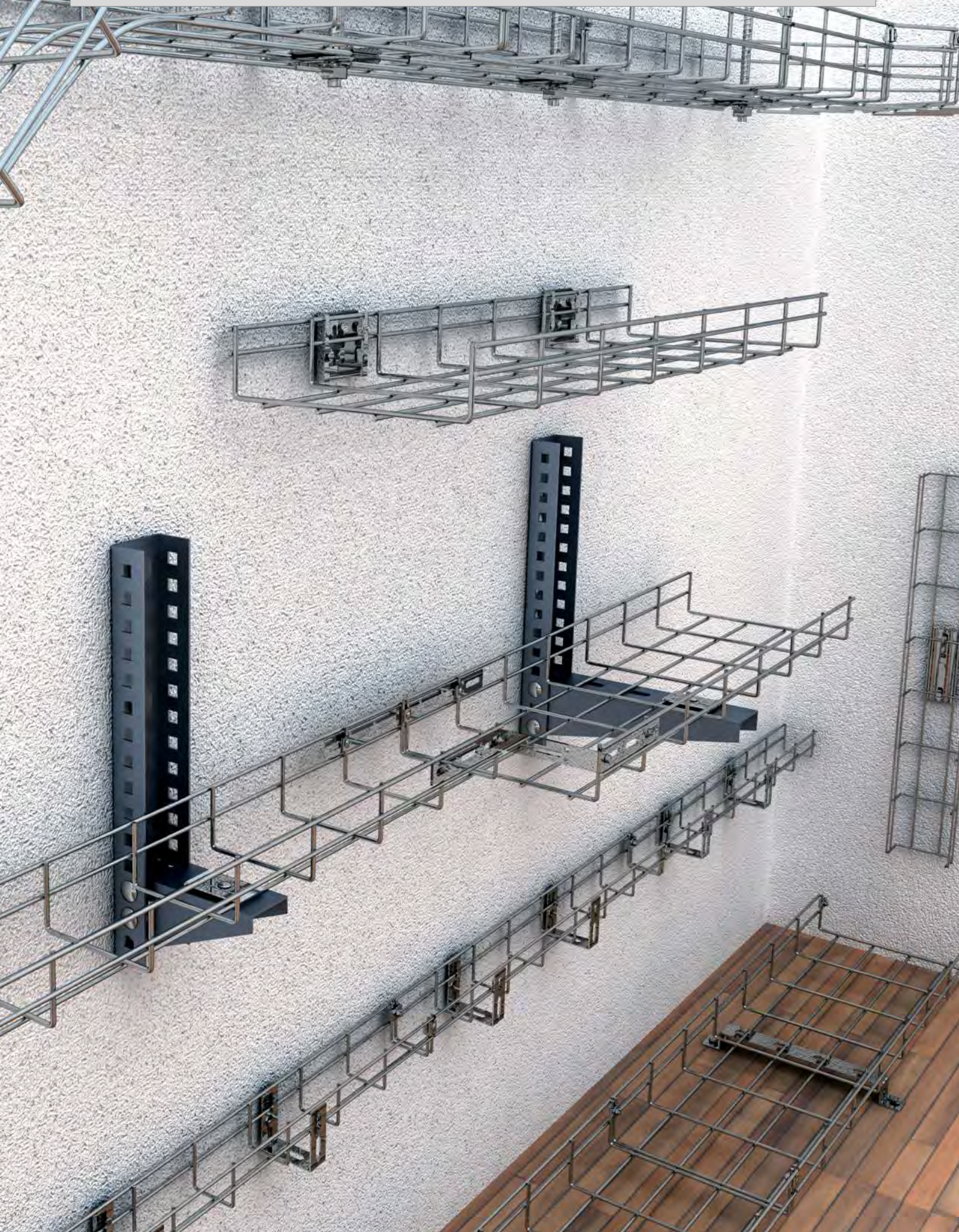
Системи за електрически кабелни скари

**www.abelectric.bg
www.abenergygroup.bg**

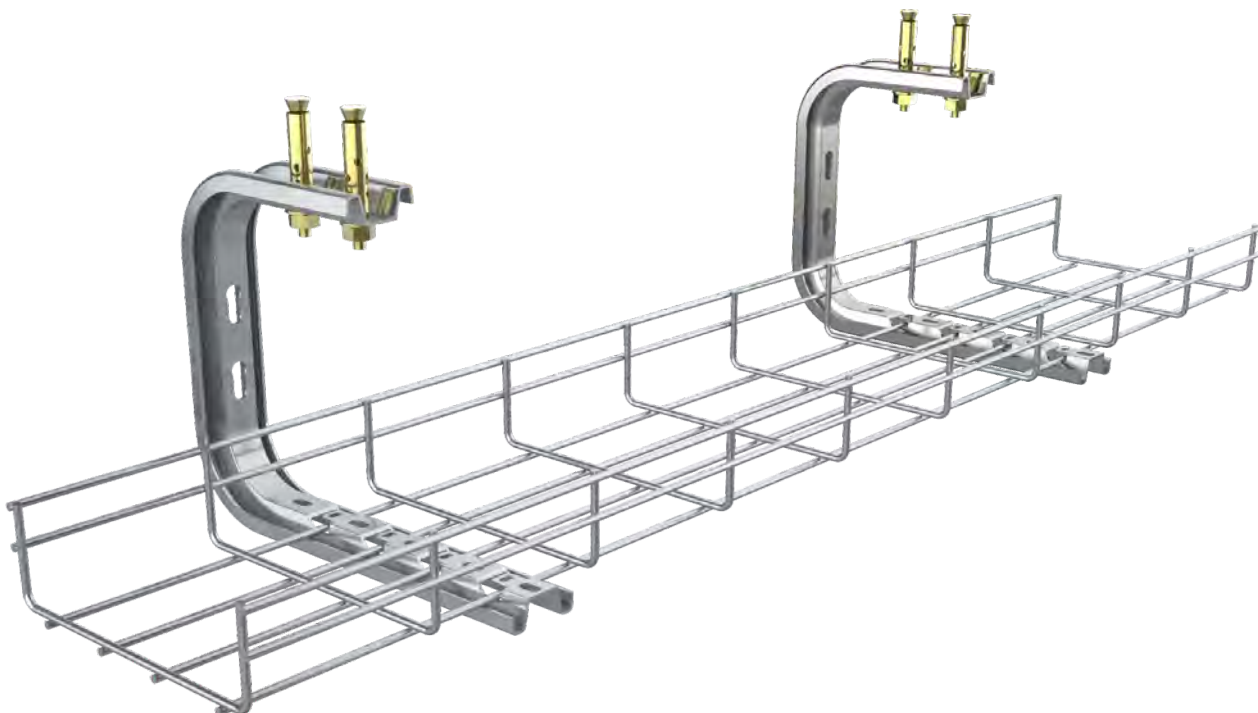
Wire Mesh Cable Tray Systems



ЕНЕРДЖИ ГРУП ООД



Wire Mesh Cable Trays Кабелни скари от телена мрежа

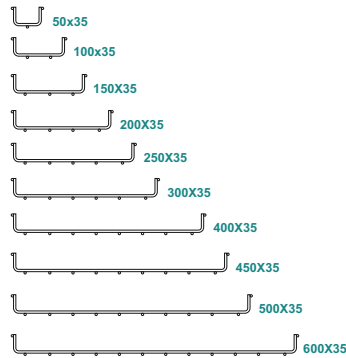
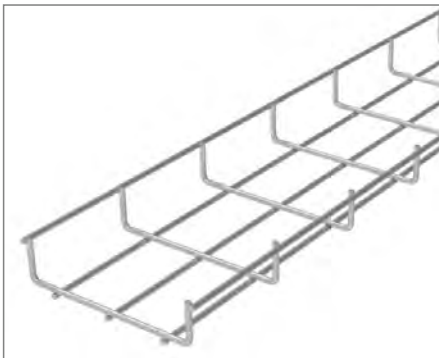


Accessories

<p>Connector - TBE Конектор</p>  <p>TBE</p>	<p>Fixing Unit Фиксираща единица</p>  <p>TSE</p>	<p>Suspension Clamp Скоба за окачване</p>  <p>SC</p>	<p>Straight Quick Connector Прав бърз конектор</p>  <p>GBE</p>	<p>Multipurpose Connection Strip Многофункционална свързваща лента</p>  <p>VBE</p>
<p>Support For Wall Mounting Опора за стенен монтаж</p>  <p>WBH</p>	<p>Hanging Rail Релса за окачване</p>  <p>HR</p>	<p>Support For Floor and Wall Mounting Опора за подов и стенен монтаж</p>  <p>FWH</p>	<p>Hanger / Central Support Закачалка / Централна опора</p>  <p>H 10</p>	<p>Hanger / Side Support Закачалка / странична опора</p>  <p>HC</p>
<p>Cover of Wire Mesh Cable Tray Капак на кабелна скара от телена мрежа</p>  <p>TKK</p>	<p>Cable Guider Кабеловодач</p>  <p>CG</p>	<p>Wire Bracket and Boxes Fixing Unit Блок за фиксиране на скоби и кутии</p>  <p>MSB</p>	<p>Barrier Strip Бариерна лента</p>  <p>BS</p>	<p>Earthing Clamp Скоба за заземяване</p>  <p>TPC</p>

Wire Mesh Cable Trays

Кабелни скари от телена мрежа



Electro Galvanised

Hot Dip Galvanised

TOK ...	H35	4.0mm	kg	pcs
CODE	Width W mm	Length L mm	1 m	1 m
TOK 305 40 EG	50	3000	0.43	2
TOK 310 40 EG	100	3000	0.58	2
TOK 315 40 EG	150	3000	0.73	2
TOK 320 40 EG	200	3000	0.89	2
TOK 325 40 EG	250	3000	1.04	2
TOK 330 40 EG	300	3000	1.19	2
TOK 340 40 EG	400	3000	1.49	2
TOK 345 40 EG	450	3000	1.64	2
TOK 350 40 EG	500	3000	1.79	2
TOK 360 40 EG	600	3000	2.09	2

TOK ...	H35	4.0mm	kg	pcs
CODE	Width W mm	Length L mm	1 m	1 m
TOK 305 40 HDG	50	3000	0.43	2
TOK 310 40 HDG	100	3000	0.58	2
TOK 315 40 HDG	150	3000	0.73	2
TOK 320 40 HDG	200	3000	0.89	2
TOK 325 40 HDG	250	3000	1.04	2
TOK 330 40 HDG	300	3000	1.19	2
TOK 340 40 HDG	400	3000	1.49	2
TOK 345 40 HDG	450	3000	1.64	2
TOK 350 40 HDG	500	3000	1.79	2
TOK 360 40 HDG	600	3000	2.09	2

TOK ...	H35	4.5mm	kg	pcs
CODE	Width W mm	Length L mm	1 m	1 m
TOK 305 45 EG	50	3000	0.55	2
TOK 310 45 EG	100	3000	0.74	2
TOK 315 45 EG	150	3000	0.93	2
TOK 320 45 EG	200	3000	1.12	2
TOK 325 45 EG	250	3000	1.32	2
TOK 330 45 EG	300	3000	1.51	2
TOK 340 45 EG	400	3000	1.89	2
TOK 345 45 EG	450	3000	2.08	2
TOK 350 45 EG	500	3000	2.27	2
TOK 360 45 EG	600	3000	2.66	2

TOK ...	H35	4.5mm	kg	pcs
CODE	Width W mm	Length L mm	1 m	1 m
TOK 305 45 HDG	50	3000	0.55	2
TOK 310 45 HDG	100	3000	0.74	2
TOK 315 45 HDG	150	3000	0.93	2
TOK 320 45 HDG	200	3000	1.12	2
TOK 325 45 HDG	250	3000	1.32	2
TOK 330 45 HDG	300	3000	1.51	2
TOK 340 45 HDG	400	3000	1.89	2
TOK 345 45 HDG	450	3000	2.08	2
TOK 350 45 HDG	500	3000	2.27	2
TOK 360 45 HDG	600	3000	2.66	2

TOK ...	H35	5.0mm	kg	pcs
CODE	Width W mm	Length L mm	1 m	1 m
TOK 305 50 EG	50	3000	0.68	2
TOK 310 50 EG	100	3000	0.91	2
TOK 315 50 EG	150	3000	1.15	2
TOK 320 50 EG	200	3000	1.39	2
TOK 325 50 EG	250	3000	1.62	2
TOK 330 50 EG	300	3000	1.86	2
TOK 340 50 EG	400	3000	2.33	2
TOK 345 50 EG	450	3000	2.57	2
TOK 350 50 EG	500	3000	2.81	2
TOK 360 50 EG	600	3000	3.28	2

TOK ...	H35	5.0mm	kg	pcs
CODE	Width W mm	Length L mm	1 m	1 m
TOK 305 50 HDG	50	3000	0.68	2
TOK 310 50 HDG	100	3000	0.91	2
TOK 315 50 HDG	150	3000	1.15	2
TOK 320 50 HDG	200	3000	1.39	2
TOK 325 50 HDG	250	3000	1.62	2
TOK 330 50 HDG	300	3000	1.86	2
TOK 340 50 HDG	400	3000	2.33	2
TOK 345 50 HDG	450	3000	2.57	2
TOK 350 50 HDG	500	3000	2.81	2
TOK 360 50 HDG	600	3000	3.28	2

Wire Mesh Cable Tray

Кабелни скари от телена мрежа.



Electro - Galvanised

Hot Dip. Galvanised

TOK ...	H35	4.0mm	kg	pcs
CODE	Width W mm	Length L mm	1 m	1 m
TOK 035 40 EG	50	3000	0.52	2

TOK ...	H35	4.5mm	kg	pcs
CODE	Width W mm	Length L mm	1 m	1 m
TOK 035 45 EG	50	3000	0.68	2

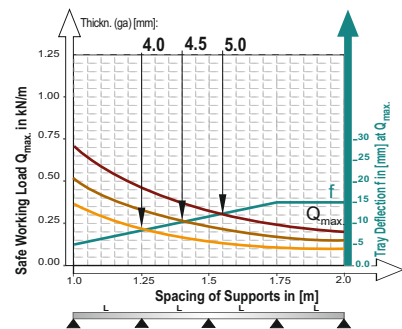
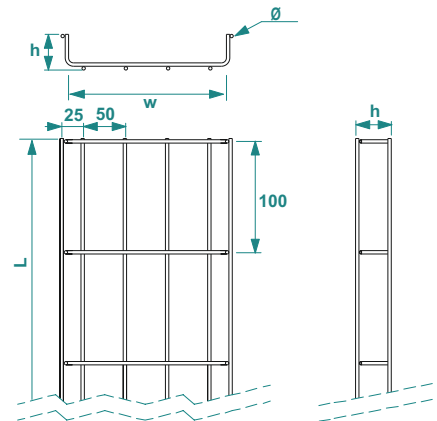
TOK ...	H35	5.0mm	kg	pcs
CODE	Width W mm	Length L mm	1 m	1 m
TOK 035 50 EG	50	3000	0.82	2

TOK ...	H35	4.0mm	kg	pcs
CODE	Width W mm	Length L mm	1 m	1 m
TOK 035 40 HDG	50	3000	0.52	2

TOK ...	H35	4.5mm	kg	pcs
CODE	Width W mm	Length L mm	1 m	1 m
TOK 035 45 HDG	50	3000	0.68	2

TOK ...	H35	5.0mm	kg	pcs
CODE	Width W mm	Length L mm	1 m	1 m
TOK 035 50 HDG	50	3000	0.68	2

TOK H35

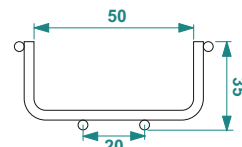


This diagram comply with IEC 61537 with connection to 1/5 of the span and the end span = 0,8x the span

Q = max. admissible load (kg/m)
L = support distance (m)
f = Deflection (mm) / Max. deflection = L/100
Safety co-efficient = 1.5

Width	Usable Cross-Section
50	12 cm²
100	25 cm²
150	37 cm²
200	50 cm²
300	75 cm²
400	100 cm²
500	125 cm²
600	150 cm²

TOK H35



APPLICATIONS

Cable routing

MATERIAL

EG: Electro - Galvanised (8-12 micron) EN ISO 2081
HDG-Steel, hot-dip galv. to TS-EN ISO 1461:2011 (HDG)

Available finishes:

SS - Stainless steel AISI 304L and aisi 316L (SS)
EP- powder coating in a full range of colours (RAL)

Thickn. (ga) [mm]: 4.0 4.5 5.0

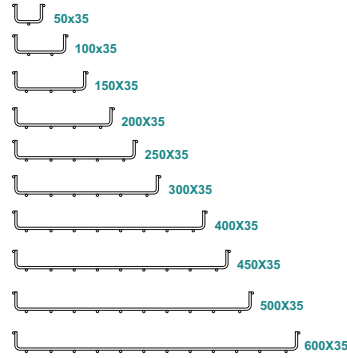
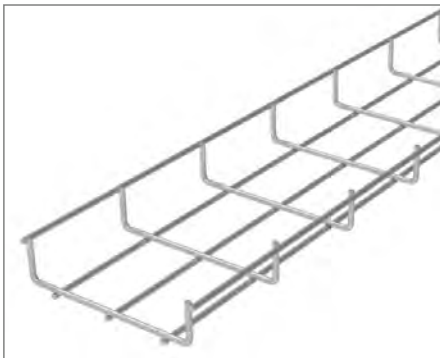
Wire Mesh Cable Trays - Side Height H35



ЕНЕРДЖИ ГРУП ООД

Wire Mesh Cable Trays

Кабелни скари от телена мрежа



Stainless Steel 304 - Passivated

TOK ...		H35		4.0mm	
CODE	Width W mm	Length L mm	kg 1 m	pcs	
TOK 305 40 S4	50	3000	0.43	2	
TOK 310 40 S4	100	3000	0.58	2	
TOK 315 40 S4	150	3000	0.73	2	
TOK 320 40 S4	200	3000	0.89	2	
TOK 325 40 S4	250	3000	1.04	2	
TOK 330 40 S4	300	3000	1.19	2	
TOK 340 40 S4	400	3000	1.49	2	
TOK 345 40 S4	450	3000	1.64	2	
TOK 350 40 S4	500	3000	1.79	2	
TOK 360 40 S4	600	3000	2.09	2	
5.0mm					
CODE	Width W mm	Length L mm	kg 1 m	pcs	
TOK 305 50 S4	50	3000	0.68	2	
TOK 310 50 S4	100	3000	0.91	2	
TOK 315 50 S4	150	3000	1.15	2	
TOK 320 50 S4	200	3000	1.39	2	
TOK 325 50 S4	250	3000	1.62	2	
TOK 330 50 S4	300	3000	1.86	2	
TOK 340 50 S4	400	3000	2.33	2	
TOK 345 50 S4	450	3000	2.57	2	
TOK 350 50 S4	500	3000	2.81	2	
TOK 360 50 S4	600	3000	3.28	2	

Stainless Steel 304 - Polished

TOK ...		H35		4.0mm	
CODE	Width W mm	Length L mm	kg 1 m	pcs	
TOK 305 40 SP4	50	3000	0.43	2	
TOK 310 40 SP4	100	3000	0.58	2	
TOK 315 40 SP4	150	3000	0.73	2	
TOK 320 40 SP4	200	3000	0.89	2	
TOK 325 40 SP4	250	3000	1.04	2	
TOK 330 40 SP4	300	3000	1.19	2	
TOK 340 40 SP4	400	3000	1.49	2	
TOK 345 40 SP4	450	3000	1.64	2	
TOK 350 40 SP4	500	3000	1.79	2	
TOK 360 40 SP4	600	3000	2.09	2	
5.0mm					
CODE	Width W mm	Length L mm	kg 1 m	pcs	
TOK 305 50 SP4	50	3000	0.68	2	
TOK 310 50 SP4	100	3000	0.91	2	
TOK 315 50 SP4	150	3000	1.15	2	
TOK 320 50 SP4	200	3000	1.39	2	
TOK 325 50 SP4	250	3000	1.62	2	
TOK 330 50 SP4	300	3000	1.86	2	
TOK 340 50 SP4	400	3000	2.33	2	
TOK 345 50 SP4	450	3000	2.57	2	
TOK 350 50 SP4	500	3000	2.81	2	
TOK 360 50 SP4	600	3000	3.28	2	

Stainless Steel 316 - Passivated

TOK ...		H35		4.0mm	
CODE	Width W mm	Length L mm	kg 1 m	pcs	
TOK 305 40 S6	50	3000	0.43	2	
TOK 310 40 S6	100	3000	0.58	2	
TOK 315 40 S6	150	3000	0.73	2	
TOK 320 40 S6	200	3000	0.89	2	
TOK 325 40 S6	250	3000	1.04	2	
TOK 330 40 S6	300	3000	1.19	2	
TOK 340 40 S6	400	3000	1.49	2	
TOK 345 40 S6	450	3000	1.64	2	
TOK 350 40 S6	500	3000	1.79	2	
TOK 360 40 S6	600	3000	2.09	2	

Stainless Steel 316 - Polished

TOK ...		H35		4.0mm	
CODE	Width W mm	Length L mm	kg 1 m	pcs	
TOK 305 40 SP6	50	3000	0.43	2	
TOK 310 40 SP6	100	3000	0.58	2	
TOK 315 40 SP6	150	3000	0.73	2	
TOK 320 40 SP6	200	3000	0.89	2	
TOK 325 40 SP6	250	3000	1.04	2	
TOK 330 40 SP6	300	3000	1.19	2	
TOK 340 40 SP6	400	3000	1.49	2	
TOK 345 40 SP6	450	3000	1.64	2	
TOK 350 40 SP6	500	3000	1.79	2	
TOK 360 40 SP6	600	3000	2.09	2	

Wire Mesh Cable Tray

Кабелни скари от телена мрежа.



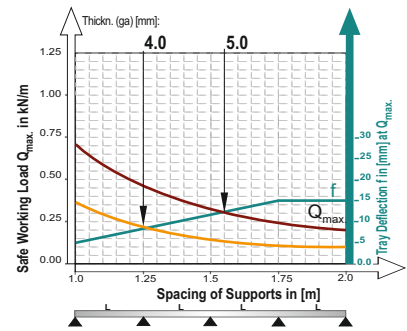
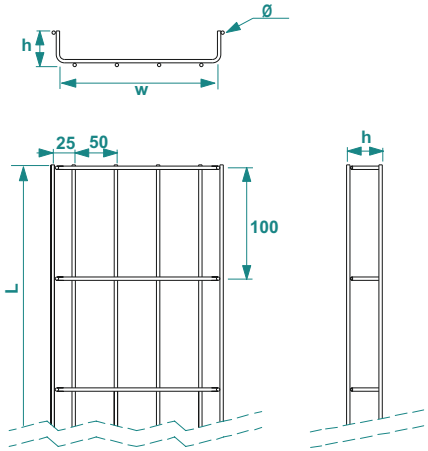
Stainless Steel 304 - Passivated

TOK ...		H35 ...		4.0mm	
CODE	Width W mm	Length L mm	kg 1 m	pcs	
TOK 035 40 S4	50	3000	0.52	2	
5.0mm					
CODE	Width W mm	Length L mm	kg 1 m	pcs	
TOK 035 50 S4	50	3000	0.68	2	

Stainless Steel 304 - Polished

TOK ...		H35 ...		4.0mm	
CODE	Width W mm	Length L mm	kg 1 m	pcs	
TOK 035 40 SP4	50	3000	0.52	2	
5.0mm					
CODE	Width W mm	Length L mm	kg 1 m	pcs	
TOK 035 50 SP4	50	3000	0.68	2	

TOK H35 (Stainless Steel)

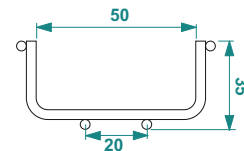


This diagram comply with IEC 61537 with connection to 1/5 of the span and the end span = 0,8x the span

Q = max. admissible load (kg/m)
L = support distance (m)
f = Deflection (mm) / Max. deflection = L/100
Safety co-efficient = 1.5

Width	Usable Cross-Section
50	12 cm ²
100	25 cm ²
150	37 cm ²
200	50 cm ²
300	75 cm ²
400	100 cm ²
500	125 cm ²
600	150 cm ²

TOK H35 (Stainless Steel)



APPLICATIONS

Cable routing

MATERIAL

SS 304- Stainless Steel AISI 304L (S4)
SS 316- Stainless steel AISI 316L (S6)

Available finishes:

EG: Electro-galvanized
HDG-steel, hot-dip galv. to TS-EN ISO 1461:2011 (HDG)
EP-Powder coating in a full range of colours (RAL)

Thickn. (ga) [mm]: **4.0 5.0**

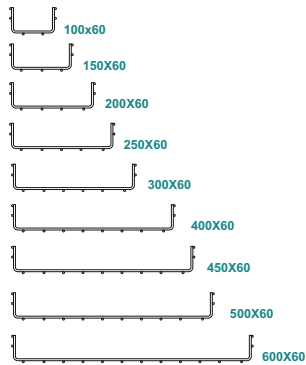
Wire Mesh Cable Trays - Side Height H60



ЕНЕРДЖИ ГРУП ООД

Wire Mesh Cable Trays

Кабелни скари от телена мрежа



Electro Galvanised

TOK ...	H60	4.0mm		
CODE	Width W mm	Length L mm	KG 1 m	pcs
TOK 605 40 EG	50	3000	0.68	2
TOK 610 40 EG	100	3000	0.83	2
TOK 615 40 EG	150	3000	0.99	2
TOK 620 40 EG	200	3000	1.14	2
TOK 625 40 EG	250	3000	1.29	2
TOK 630 40 EG	300	3000	1.44	2
TOK 640 40 EG	400	3000	1.74	2
TOK 645 40 EG	450	3000	1.89	2
TOK 650 40 EG	500	3000	2.04	2
TOK 660 40 EG	600	3000	2.35	2

TOK ...	H60	4.5mm		
CODE	Width W mm	Length L mm	KG 1 m	pcs
TOK 605 45 EG	50	3000	0.87	2
TOK 610 45 EG	100	3000	1.06	2
TOK 615 45 EG	150	3000	1.25	2
TOK 620 45 EG	200	3000	1.44	2
TOK 625 45 EG	250	3000	1.63	2
TOK 630 45 EG	300	3000	1.83	2
TOK 640 45 EG	400	3000	2.21	2
TOK 645 45 EG	450	3000	2.40	2
TOK 650 45 EG	500	3000	2.59	2
TOK 660 45 EG	600	3000	2.98	2

TOK ...	H60	5.0mm		
CODE	Width W mm	Length L mm	KG 1 m	pcs
TOK 605 50 EG	50	3000	1.07	2
TOK 610 50 EG	100	3000	1.31	2
TOK 615 50 EG	150	3000	1.54	2
TOK 620 50 EG	200	3000	1.78	2
TOK 625 50 EG	250	3000	2.02	2
TOK 630 50 EG	300	3000	2.25	2
TOK 640 50 EG	400	3000	2.73	2
TOK 645 50 EG	450	3000	2.96	2
TOK 650 50 EG	500	3000	3.20	2
TOK 660 50 EG	600	3000	3.67	2

Hot Dip Galvanised

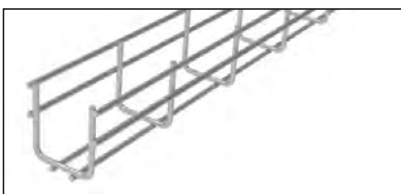
TOK ...	H60	4.0mm		
CODE	Width W mm	Length L mm	KG 1 m	pcs
TOK 605 40 HDG	50	3000	0.68	2
TOK 610 40 HDG	100	3000	0.83	2
TOK 615 40 HDG	150	3000	0.99	2
TOK 620 40 HDG	200	3000	1.14	2
TOK 625 40 HDG	250	3000	1.29	2
TOK 630 40 HDG	300	3000	1.44	2
TOK 640 40 HDG	400	3000	1.74	2
TOK 645 40 HDG	450	3000	1.89	2
TOK 650 40 HDG	500	3000	2.04	2
TOK 660 40 HDG	600	3000	2.35	2

TOK ...	H60	4.5mm		
CODE	Width W mm	Length L mm	KG 1 m	pcs
TOK 605 45 HDG	50	3000	0.87	2
TOK 610 45 HDG	100	3000	1.06	2
TOK 615 45 HDG	150	3000	1.25	2
TOK 620 45 HDG	200	3000	1.44	2
TOK 625 45 HDG	250	3000	1.63	2
TOK 630 45 HDG	300	3000	1.83	2
TOK 640 45 HDG	400	3000	2.21	2
TOK 645 45 HDG	450	3000	2.40	2
TOK 650 45 HDG	500	3000	2.59	2
TOK 660 45 HDG	600	3000	2.98	2

TOK ...	H60	5.0mm		
CODE	Width W mm	Length L mm	KG 1 m	pcs
TOK 605 50 HDG	50	3000	0.87	2
TOK 610 50 HDG	100	3000	1.31	2
TOK 615 50 HDG	150	3000	1.54	2
TOK 620 50 HDG	200	3000	1.78	2
TOK 625 50 HDG	250	3000	2.02	2
TOK 630 50 HDG	300	3000	2.25	2
TOK 640 50 HDG	400	3000	2.73	2
TOK 645 50 HDG	450	3000	2.96	2
TOK 650 50 HDG	500	3000	3.20	2
TOK 660 50 HDG	600	3000	3.67	2

Wire Mesh Cable Tray

Кабелни скари от телена мрежа



Electro-Galvanised

TOK ...	H60	4.0mm		
CODE	Width W mm	Length L mm	KG 1 m	pcs
TOK 050 40 EG	50	3000	0.75	2

TOK ...	H60	4.5mm		
CODE	Width W mm	Length L mm	KG 1 m	pcs
TOK 050 45 EG	50	3000	0.95	2

TOK ...	H60	5.0mm		
CODE	Width W mm	Length L mm	KG 1 m	pcs
TOK 050 50 EG	50	3000	1.20	2

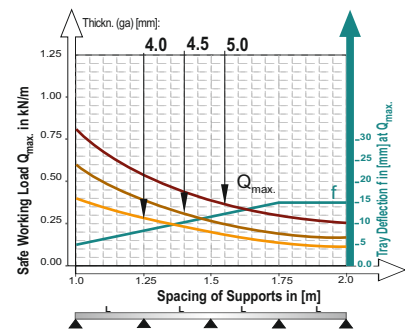
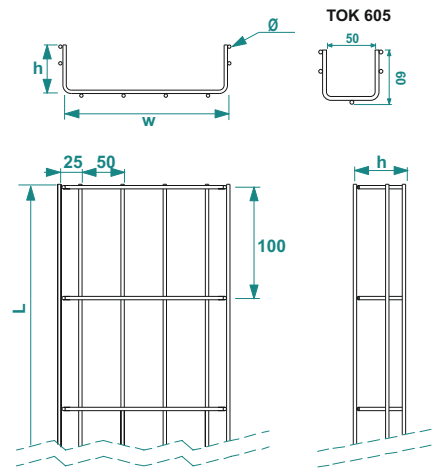
Hot Dip Galvanised

TOK ...	H60	4.0mm		
CODE	Width W mm	Length L mm	KG 1 m	pcs
TOK 050 40 HDG	50	3000	0.75	2

TOK ...	H60	4.5mm		
CODE	Width W mm	Length L mm	KG 1 m	pcs
TOK 050 45 HDG	50	3000	0.95	2

TOK ...	H60	5.0mm		
CODE	Width W mm	Length L mm	KG 1 m	pcs
TOK 050 50 HDG	50	3000	1.20	2

TOK H60

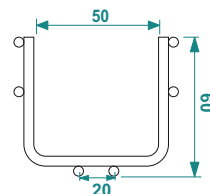


This diagram comply with IEC 61537 with connection to 1/5 of the span and the end span = 0,8x the span

Q = max. admissible load (kg/m)
 L = support distance (m)
 f = Deflection (mm) / Max. deflection = L/100
 Safety co-efficient = 1.5

Width	Usable Cross-Section
50	25 cm ²
100	50 cm ²
150	75 cm ²
200	100 cm ²
300	150 cm ²
400	200 cm ²
500	250 cm ²
600	300 cm ²

TOK H60



APPLICATIONS
Cable routing

MATERIAL
EG: Electro - Galvanised (8-12 micron) EN ISO 2081
HDG-Steel, hot-dip galv. to TS-EN ISO 1461:2011 (HDG)

Available finishes:
SS - Stainless steel AISI 304L and aisi 316L (SS)
EP- powder coating in a full range of colours (RAL)

Thickn. (ga) [mm]: **4.0 4.5 5.0**

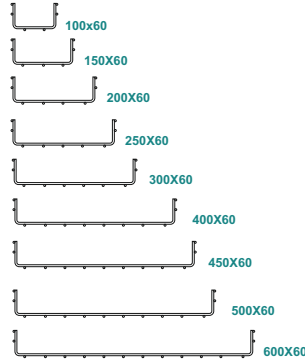
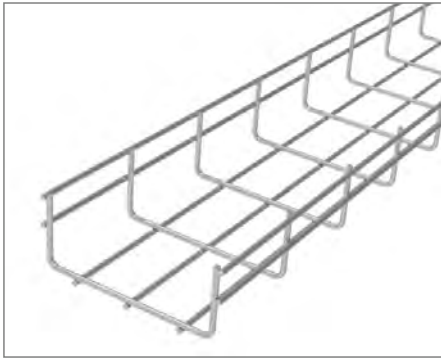
Wire Mesh Cable Trays - Side Height H60



ЕНЕРДЖИ ГРУП ООД

Wire Mesh Cable Trays

Кабелни скари от телена мрежа



Stainless Steel 304 - Passivated

TOK ...	H60	4.0mm		
CODE	Width W mm	Length L mm	KG 1 m	pcs
TOK 605 40 S4	50	3000	0.68	2
TOK 610 40 S4	100	3000	0.83	2
TOK 615 40 S4	150	3000	0.99	2
TOK 620 40 S4	200	3000	1.14	2
TOK 625 40 S4	250	3000	1.29	2
TOK 630 40 S4	300	3000	1.44	2
TOK 640 40 S4	400	3000	1.74	2
TOK 645 40 S4	450	3000	1.89	2
TOK 650 40 S4	500	3000	2.04	2
TOK 660 40 S4	600	3000	2.35	2
		5.0mm		
CODE	Width W mm	Length L mm	KG 1 m	pcs
TOK 605 50 S4	50	3000	1.07	2
TOK 610 50 S4	100	3000	1.31	2
TOK 615 50 S4	150	3000	1.54	2
TOK 620 50 S4	200	3000	1.78	2
TOK 625 50 S4	250	3000	2.02	2
TOK 630 50 S4	300	3000	2.25	2
TOK 640 50 S4	400	3000	2.73	2
TOK 645 50 S4	450	3000	2.96	2
TOK 650 50 S4	500	3000	3.20	2
TOK 660 50 S4	600	3000	3.67	2

Stainless Steel 304 Polished

TOK ...	H60	4.0mm		
CODE	Width W mm	Length L mm	KG 1 m	pcs
TOK 605 40 SP4	50	3000	0.68	2
TOK 610 40 SP4	100	3000	0.83	2
TOK 615 40 SP4	150	3000	0.99	2
TOK 620 40 SP4	200	3000	1.14	2
TOK 625 40 SP4	250	3000	1.29	2
TOK 630 40 SP4	300	3000	1.44	2
TOK 640 40 SP4	400	3000	1.74	2
TOK 645 40 SP4	450	3000	1.89	2
TOK 650 40 SP4	500	3000	2.04	2
TOK 660 40 SP4	600	3000	2.35	2
		5.0mm		
CODE	Width W mm	Length L mm	KG 1 m	pcs
TOK 605 50 SP4	50	3000	0.87	2
TOK 610 50 SP4	100	3000	1.31	2
TOK 615 50 SP4	150	3000	1.54	2
TOK 620 50 SP4	200	3000	1.78	2
TOK 625 50 SP4	250	3000	2.02	2
TOK 630 50 SP4	300	3000	2.25	2
TOK 640 50 SP4	400	3000	2.73	2
TOK 645 50 SP4	450	3000	2.96	2
TOK 650 50 SP4	500	3000	3.20	2
TOK 660 50 SP4	600	3000	3.67	2

Stainless Steel 316 - Passivated

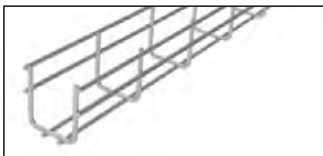
TOK ...	H60	4.0mm		
CODE	Width W mm	Length L mm	KG 1 m	pcs
TOK 605 40 S6	50	3000	0.68	2
TOK 610 40 S6	100	3000	0.83	2
TOK 615 40 S6	150	3000	0.99	2
TOK 620 40 S6	200	3000	1.14	2
TOK 625 40 S6	250	3000	1.29	2
TOK 630 40 S6	300	3000	1.44	2
TOK 640 40 S6	400	3000	1.74	2
TOK 645 40 S6	450	3000	1.89	2
TOK 650 40 S6	500	3000	2.04	2
TOK 660 40 S6	600	3000	2.35	2

Stainless Steel 316 Polished

TOK ...	H60	4.0mm		
CODE	Width W mm	Length L mm	KG 1 m	pcs
TOK 605 40 SP6	50	3000	0.68	2
TOK 610 40 SP6	100	3000	0.83	2
TOK 615 40 SP6	150	3000	0.99	2
TOK 620 40 SP6	200	3000	1.14	2
TOK 625 40 SP6	250	3000	1.29	2
TOK 630 40 SP6	300	3000	1.44	2
TOK 640 40 SP6	400	3000	1.74	2
TOK 645 40 SP6	450	3000	1.89	2
TOK 650 40 SP6	500	3000	2.04	2
TOK 660 40 SP6	600	3000	2.35	2

Wire Mesh Cable Tray

Кабелни скари от телена мрежа



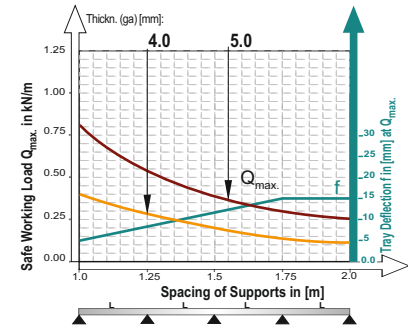
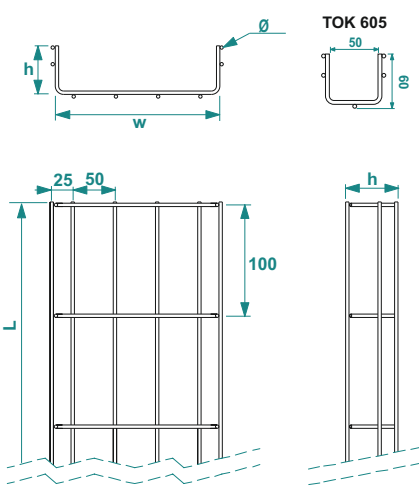
Stainless Steel 304 - Passivated

TOK ...	H60	4.0mm		
CODE	W mm	Length L mm	KG 1 m	pcs
TOK 050 40 S4	50	3000	0.75	2
		5.0mm		
CODE	Width W mm	Length L mm	KG 1 m	pcs
TOK 050 50 S4	50	3000	1.20	2

Stainless Steel Polished

TOK ...	H60	4.0mm		
CODE	W mm	Length L mm	KG 1 m	pcs
TOK 050 40 SP4	50	3000	0.75	2
		5.0mm		
CODE	Width W mm	Length L mm	KG 1 m	pcs
TOK 050 50 SP4	50	3000	1.20	2

TOK H60 (Stainless Steel)

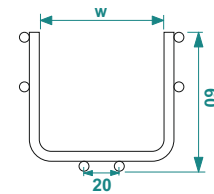


This diagram comply with IEC 61537 with connection to 1/5 of the span and the end span = 0.8x the span

Q = max. admissible load (kg/m)
 L = support distance (m)
 f = Deflection (mm) / Max. deflection = L/100
 Safety co-efficient = 1.5

Width	Usable Cross-Section
50	25 cm ²
100	50 cm ²
150	75 cm ²
200	100 cm ²
300	150 cm ²
400	200 cm ²
500	250 cm ²
600	300 cm ²

TOK H60 (Stainless Steel)



APPLICATIONS
 Cable routing

MATERIAL
 SS 304- Stainless Steel AISI 304L (S4)
 SS 316- Stainless steel AISI 316L (S6)

Available finishes:
 EG: Electro-galvanized
 HDG-steel, hot-dip galv. to TS-EN ISO 1461:2011 (HDG)
 EP-Powder coating in a full range of colours (RAL)

Thickn. (ga) [mm]: **4.0** **5.0**

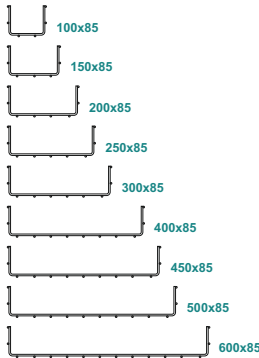
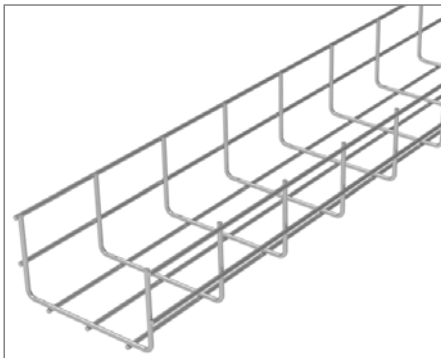
Wire Mesh Cable Trays - Side Height H85



ЕНЕРДЖИ ГРУП ООД

Wire Mesh Cable Trays

Кабелни скари от телена мрежа



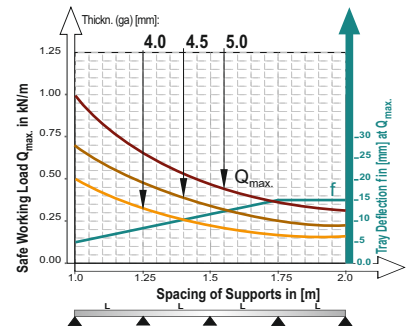
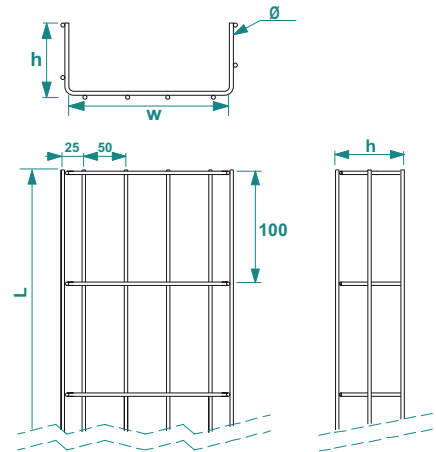
Electro Galvanised

TOK ...	H85	4.0mm		
CODE	Width W mm	Length L mm	Kg 1 m	pcs
TOK 810 40 EG	100	3000	0.89	2
TOK 815 40 EG	150	3000	1.04	2
TOK 820 40 EG	200	3000	1.19	2
TOK 825 40 EG	250	3000	1.34	2
TOK 830 40 EG	300	3000	1.49	2
TOK 840 40 EG	400	3000	1.79	2
TOK 845 40 EG	450	3000	1.94	2
TOK 850 40 EG	500	3000	2.09	2
TOK 860 40 EG	600	3000	2.40	2
4.5mm				
CODE	Width W mm	Length L mm	Kg 1 m	pcs
TOK 810 45 EG	100	3000	1.12	2
TOK 815 45 EG	150	3000	1.32	2
TOK 820 45 EG	200	3000	1.51	2
TOK 825 45 EG	250	3000	1.70	2
TOK 830 45 EG	300	3000	1.89	2
TOK 840 45 EG	400	3000	2.27	2
TOK 845 45 EG	450	3000	2.47	2
TOK 850 45 EG	500	3000	2.66	2
TOK 860 45 EG	600	3000	3.04	2
5.0mm				
CODE	Width W mm	Length L mm	Kg 1 m	pcs
TOK 810 50 EG	100	3000	1.39	2
TOK 815 50 EG	150	3000	1.62	2
TOK 820 50 EG	200	3000	1.86	2
TOK 825 50 EG	250	3000	2.10	2
TOK 830 50 EG	300	3000	2.33	2
TOK 840 50 EG	400	3000	2.81	2
TOK 845 50 EG	450	3000	3.04	2
TOK 850 50 EG	500	3000	3.28	2
TOK 860 50 EG	600	3000	3.75	2

Hot Dip Galvanised

TOK ...	H85	4.0mm		
CODE	Width W mm	Length L mm	Kg 1 m	pcs
TOK 810 40 HDG	100	3000	0.89	2
TOK 815 40 HDG	150	3000	1.04	2
TOK 820 40 HDG	200	3000	1.19	2
TOK 825 40 HDG	250	3000	1.34	2
TOK 830 40 HDG	300	3000	1.49	2
TOK 840 40 HDG	400	3000	1.79	2
TOK 845 40 HDG	450	3000	1.94	2
TOK 850 40 HDG	500	3000	2.09	2
TOK 860 40 HDG	600	3000	2.40	2
4.5mm				
CODE	Width W mm	Length L mm	Kg 1 m	pcs
TOK 810 45 HDG	100	3000	1.12	2
TOK 815 45 HDG	150	3000	1.32	2
TOK 820 45 HDG	200	3000	1.51	2
TOK 825 45 HDG	250	3000	1.70	2
TOK 830 45 HDG	300	3000	1.89	2
TOK 840 45 HDG	400	3000	2.27	2
TOK 845 45 HDG	450	3000	2.47	2
TOK 850 45 HDG	500	3000	2.66	2
TOK 860 45 HDG	600	3000	3.04	2
5.0mm				
CODE	Width W mm	Length L mm	Kg 1 m	pcs
TOK 810 50 HDG	100	3000	1.39	2
TOK 815 50 HDG	150	3000	1.62	2
TOK 820 50 HDG	200	3000	1.86	2
TOK 825 50 HDG	250	3000	2.10	2
TOK 830 50 HDG	300	3000	2.33	2
TOK 840 50 HDG	400	3000	2.81	2
TOK 845 50 HDG	450	3000	3.04	2
TOK 850 50 HDG	500	3000	3.28	2
TOK 860 50 HDG	600	3000	3.75	2

TOK H85



This diagram comply with IEC 61537 with connection to 1/5 of the span and the end span = 0,8x the span

Q = max. admissible load (kg/m)
L = support distance (m)
f = Deflection (mm) / Max. deflection = L/100
Safety co-efficient = 1.5

Width	Usable Cross-Section
100	75 cm ²
150	112 cm ²
200	150 cm ²
300	225 cm ²
400	300 cm ²
500	375 cm ²
600	450 cm ²

APPLICATIONS

Cable routing

MATERIAL

EG: Electro - Galvanised (8-12 micron) EN ISO 2081
HDG-Steel, hot-dip galv. to TS-EN ISO 1461:2011 (HDG)

Available finishes:

SS - Stainless steel AISI 304L and aisi 316L (SS)
EP- powder coating in a full range of colours (RAL)

Thickn. (ga) [mm]: **4.0 4.5 5.0**

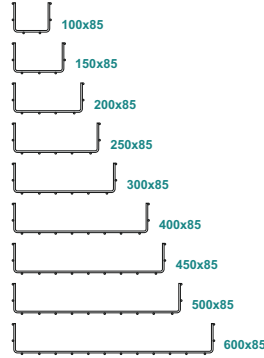
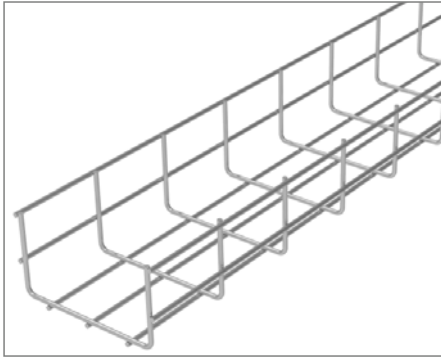
Wire Mesh Cable Trays - Side Height H85



ЕНЕРДЖИ ГРУП ООД

Wire Mesh Cable Trays

Кабелни скари от телена мрежа



Stainless Steel 304 - Passivated

TOK ...	H85	4.0mm		
CODE	Width W mm	Length L mm	KG 1 m	pcs
TOK 810 40 S4	100	3000	0.89	2
TOK 815 40 S4	150	3000	1.04	2
TOK 820 40 S4	200	3000	1.19	2
TOK 825 40 S4	250	3000	1.34	2
TOK 830 40 S4	300	3000	1.49	2
TOK 840 40 S4	400	3000	1.79	2
TOK 845 40 S4	450	3000	1.94	2
TOK 850 40 S4	500	3000	2.09	2
TOK 860 40 S4	600	3000	2.40	2
5.0mm				
CODE	Width W mm	Length L mm	KG 1 m	pcs
TOK 810 50 S4	100	3000	1.39	2
TOK 815 50 S4	150	3000	1.62	2
TOK 820 50 S4	200	3000	1.86	2
TOK 825 50 S4	250	3000	2.10	2
TOK 830 50 S4	300	3000	2.33	2
TOK 840 50 S4	400	3000	2.81	2
TOK 845 50 S4	450	3000	3.04	2
TOK 850 50 S4	500	3000	3.28	2
TOK 860 50 S4	600	3000	3.75	2

Stainless Steel 304 - Polished

TOK ...	H85	4.0mm		
CODE	Width W mm	Length L mm	KG 1 m	pcs
TOK 810 40 SP4	100	3000	0.89	2
TOK 815 40 SP4	150	3000	1.04	2
TOK 820 40 SP4	200	3000	1.19	2
TOK 825 40 SP4	250	3000	1.34	2
TOK 830 40 SP4	300	3000	1.49	2
TOK 840 40 SP4	400	3000	1.79	2
TOK 845 40 SP4	450	3000	1.94	2
TOK 850 40 SP4	500	3000	2.09	2
TOK 860 40 SP4	600	3000	2.40	2
5.0mm				
CODE	Width W mm	Length L mm	KG 1 m	pcs
TOK 810 50 SP4	100	3000	1.39	2
TOK 815 50 SP4	150	3000	1.62	2
TOK 820 50 SP4	200	3000	1.86	2
TOK 825 50 SP4	250	3000	2.10	2
TOK 830 50 SP4	300	3000	2.33	2
TOK 840 50 SP4	400	3000	2.81	2
TOK 845 50 SP4	450	3000	3.04	2
TOK 850 50 SP4	500	3000	3.28	2
TOK 860 50 SP4	600	3000	3.75	2

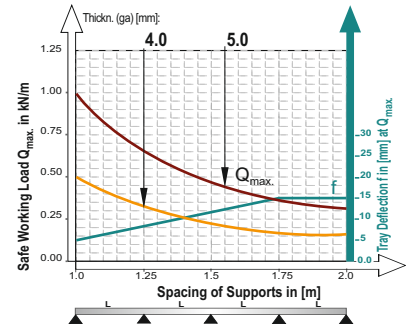
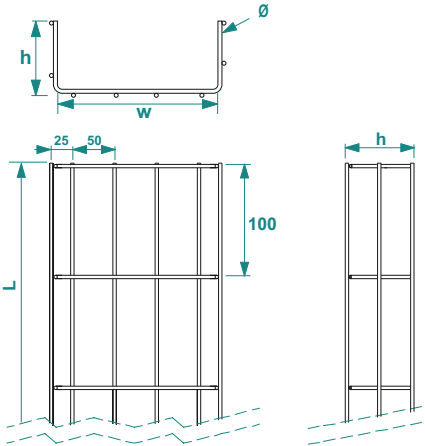
Stainless Steel 316 - Passivated

TOK ...	H85	4.0mm		
CODE	Width W mm	Length L mm	KG 1 m	pcs
TOK 810 40 S6	100	3000	0.89	2
TOK 815 40 S6	150	3000	1.04	2
TOK 820 40 S6	200	3000	1.19	2
TOK 825 40 S6	250	3000	1.34	2
TOK 830 40 S6	300	3000	1.49	2
TOK 840 40 S6	400	3000	1.79	2
TOK 845 40 S6	450	3000	1.94	2
TOK 850 40 S6	500	3000	2.09	2
TOK 860 40 S6	600	3000	2.40	2
5.0mm				
CODE	Width W mm	Length L mm	KG 1 m	pcs
TOK 810 50 S6	100	3000	1.39	2
TOK 815 50 S6	150	3000	1.62	2
TOK 820 50 S6	200	3000	1.86	2
TOK 825 50 S6	250	3000	2.10	2
TOK 830 50 S6	300	3000	2.33	2
TOK 840 50 S6	400	3000	2.81	2
TOK 845 50 S6	450	3000	3.04	2
TOK 850 50 S6	500	3000	3.28	2
TOK 860 50 S6	600	3000	3.75	2

Stainless Steel 316 - Polished

TOK ...	H85	4.0mm		
CODE	Width W mm	Length L mm	KG 1 m	pcs
TOK 810 40 SP6	100	3000	0.89	2
TOK 815 40 SP6	150	3000	1.04	2
TOK 820 40 SP6	200	3000	1.19	2
TOK 825 40 SP6	250	3000	1.34	2
TOK 830 40 SP6	300	3000	1.49	2
TOK 840 40 SP6	400	3000	1.79	2
TOK 845 40 SP6	450	3000	1.94	2
TOK 850 40 SP6	500	3000	2.09	2
TOK 860 40 SP6	600	3000	2.40	2
5.0mm				
CODE	Width W mm	Length L mm	KG 1 m	pcs
TOK 810 50 SP6	100	3000	1.39	2
TOK 815 50 SP6	150	3000	1.62	2
TOK 820 50 SP6	200	3000	1.86	2
TOK 825 50 SP6	250	3000	2.10	2
TOK 830 50 SP6	300	3000	2.33	2
TOK 840 50 SP6	400	3000	2.81	2
TOK 845 50 SP6	450	3000	3.04	2
TOK 850 50 SP6	500	3000	3.28	2
TOK 860 50 SP6	600	3000	3.75	2

TOK H85 (Stainless Steel)



This diagram comply with IEC 61537 with connection to 1/5 of the span and the end span = 0,8x the span

Q = max. admissible load (kg/m)
L = support distance (m)
f = Deflection (mm) / Max. deflection = L/100
Safety co-efficient = 1.5

Width	Usable Cross-Section
100	75 cm ²
150	112 cm ²
200	150 cm ²
300	225 cm ²
400	300 cm ²
500	375 cm ²
600	450 cm ²

APPLICATIONS

Cable routing

MATERIAL

SS 304- Stainless Steel AISI 304L (S4)
SS 316- Stainless steel AISI 316L (S6)

Available finishes:

EG: Electro-galvanized
HDG-steel, hot-dip galv. to TS-EN ISO 1461:2011 (HDG)
EP-Powder coating in a full range of colours (RAL)

Thickn. (ga) [mm]: **4.0 5.0**

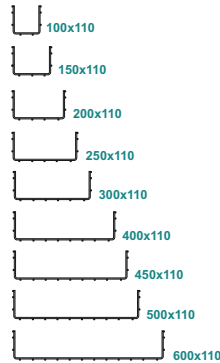
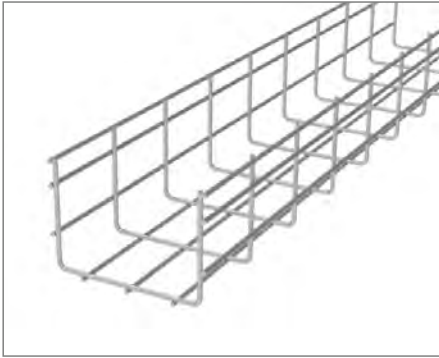
Wire Mesh Cable Trays - Side Height H110



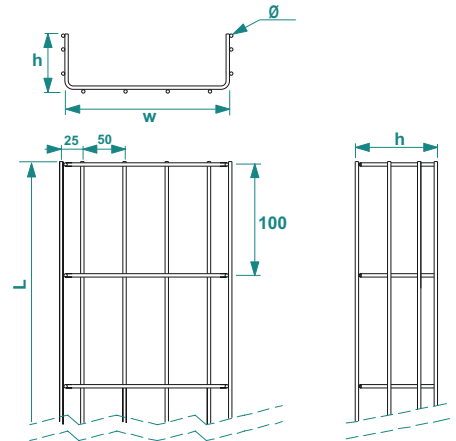
ЕНЕРДЖИ ГРУП ООД

Wire Mesh Cable Trays

Кабелни скари от телена мрежа



TOK 110



Electro Galvanised

TOK ...	H110	4.0mm		
CODE	Width W mm	Length L mm	kg 1 m	pcs
TOK 110 40 EG	100	3000	1.14	2
TOK 115 40 EG	150	3000	1.29	2
TOK 120 40 EG	200	3000	1.44	2
TOK 125 40 EG	250	3000	1.59	2
TOK 130 40 EG	300	3000	1.74	2
TOK 140 40 EG	400	3000	2.04	2
TOK 145 40 EG	450	3000	2.19	2
TOK 150 40 EG	500	3000	2.35	2
TOK 160 40 EG	600	3000	2.65	2

TOK ...	H110	4.5mm		
CODE	Width W mm	Length L mm	kg 1 m	pcs
TOK 110 45 EG	100	3000	1.44	2
TOK 115 45 EG	150	3000	1.63	2
TOK 120 45 EG	200	3000	1.83	2
TOK 125 45 EG	250	3000	2.02	2
TOK 130 45 EG	300	3000	2.21	2
TOK 140 45 EG	400	3000	2.59	2
TOK 145 45 EG	450	3000	2.78	2
TOK 150 45 EG	500	3000	2.98	2
TOK 160 45 EG	600	3000	3.36	2

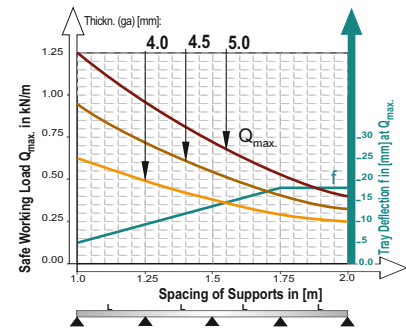
TOK ...	H110	5.0mm		
CODE	Width W mm	Length L mm	kg 1 m	pcs
TOK 110 50 EG	100	3000	1.78	2
TOK 115 50 EG	150	3000	2.02	2
TOK 120 50 EG	200	3000	2.25	2
TOK 125 50 EG	250	3000	2.49	2
TOK 130 50 EG	300	3000	2.73	2
TOK 140 50 EG	400	3000	3.20	2
TOK 145 50 EG	450	3000	3.44	2
TOK 150 50 EG	500	3000	3.67	2
TOK 160 50 EG	600	3000	4.14	2

Hot Dip Galvanised

TOK ...	H110	4.0mm		
CODE	Width W mm	Length L mm	kg 1 m	pcs
TOK 110 40 HDG	100	3000	1.14	2
TOK 115 40 HDG	150	3000	1.29	2
TOK 120 40 HDG	200	3000	1.44	2
TOK 125 40 HDG	250	3000	1.59	2
TOK 130 40 HDG	300	3000	1.74	2
TOK 140 40 HDG	400	3000	2.04	2
TOK 145 40 HDG	450	3000	2.19	2
TOK 150 40 HDG	500	3000	2.35	2
TOK 160 40 HDG	600	3000	2.65	2

TOK ...	H110	4.5mm		
CODE	Width W mm	Length L mm	kg 1 m	pcs
TOK 110 45 HDG	100	3000	1.44	2
TOK 115 45 HDG	150	3000	1.63	2
TOK 120 45 HDG	200	3000	1.83	2
TOK 125 45 HDG	250	3000	2.02	2
TOK 130 45 HDG	300	3000	2.21	2
TOK 140 45 HDG	400	3000	2.59	2
TOK 145 45 HDG	450	3000	2.78	2
TOK 150 45 HDG	500	3000	2.98	2
TOK 160 45 HDG	600	3000	3.36	2

TOK ...	H110	5.0mm		
CODE	Width W mm	Length L mm	kg 1 m	pcs
TOK 110 50 HDG	100	3000	1.78	2
TOK 115 50 HDG	150	3000	2.02	2
TOK 120 50 HDG	200	3000	2.25	2
TOK 125 50 HDG	250	3000	2.49	2
TOK 130 50 HDG	300	3000	2.73	2
TOK 140 50 HDG	400	3000	3.20	2
TOK 145 50 HDG	450	3000	3.44	2
TOK 150 50 HDG	500	3000	3.67	2
TOK 160 50 HDG	600	3000	4.14	2



This diagram comply with IEC 61537 with connection to 1/5 of the span and the end span = 0,8x the span

Q = max. admissible load (kg/m)
 L = support distance (m)
 f = Deflection (mm) / Max. deflection = L/100
 Safety co-efficient = 1.5

Width	Usable Cross-Section
100	100 cm ²
150	150 cm ²
200	200 cm ²
300	300 cm ²
400	400 cm ²
500	500 cm ²
600	600 cm ²

APPLICATIONS

Cable routing

MATERIAL

EG: Electro - Galvanised (8-12 Micron) EN ISO 2081
 HDG-Steel, hot-dip galv. to TS-EN ISO 1461:2011 (HDG)

Available finishes:

SS - Stainless steel AISI 304L and aisi 316L (SS)
 EP- powder coating in a full range of colours (RAL)

Thickn. (ga) [mm]: 4.0 4.5 5.0

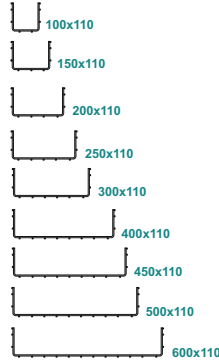
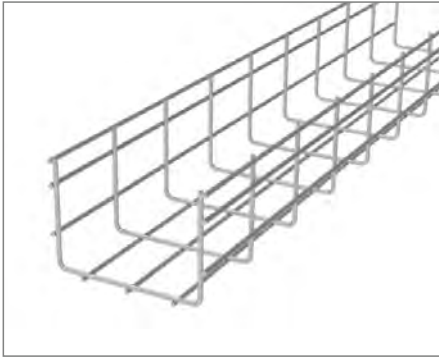
Wire Mesh Cable Trays - Side Height H110



ЕНЕРДЖИ ГРУП ООД

Wire Mesh Cable Trays

Кабелни скари от телена мрежа



Stainless Steel 304 - Passivated

TOK ...	H110	4.0mm		
CODE	Width W mm	Length L mm	kg 1 m	pcs
TOK 110 40 S4	100	3000	1.14	2
TOK 115 40 S4	150	3000	1.29	2
TOK 120 40 S4	200	3000	1.44	2
TOK 125 40 S4	250	3000	1.59	2
TOK 130 40 S4	300	3000	1.74	2
TOK 140 40 S4	400	3000	2.04	2
TOK 145 40 S4	450	3000	2.19	2
TOK 150 40 S4	500	3000	2.35	2
TOK 160 40 S4	600	3000	2.65	2
5.0mm				
CODE	Width W mm	Length L mm	kg 1 m	pcs
TOK 110 50 S4	100	3000	1.78	2
TOK 115 50 S4	150	3000	2.02	2
TOK 120 50 S4	200	3000	2.25	2
TOK 125 50 S4	250	3000	2.49	2
TOK 130 50 S4	300	3000	2.73	2
TOK 140 50 S4	400	3000	3.20	2
TOK 145 50 S4	450	3000	3.44	2
TOK 150 50 S4	500	3000	3.67	2
TOK 160 50 S4	600	3000	4.14	2

Stainless Steel 304 - Polished

TOK ...	H110	4.0mm		
CODE	Width W mm	Length L mm	kg 1 m	pcs
TOK 110 40 SP4	100	3000	1.14	2
TOK 115 40 SP4	150	3000	1.29	2
TOK 120 40 SP4	200	3000	1.44	2
TOK 125 40 SP4	250	3000	1.59	2
TOK 130 40 SP4	300	3000	1.74	2
TOK 140 40 SP4	400	3000	2.04	2
TOK 145 40 SP4	450	3000	2.19	2
TOK 150 40 SP4	500	3000	2.35	2
TOK 160 40 SP4	600	3000	2.65	2
5.0mm				
CODE	Width W mm	Length L mm	kg 1 m	pcs
TOK 110 50 SP4	100	3000	1.78	2
TOK 115 50 SP4	150	3000	2.02	2
TOK 120 50 SP4	200	3000	2.25	2
TOK 125 50 SP4	250	3000	2.49	2
TOK 130 50 SP4	300	3000	2.73	2
TOK 140 50 SP4	400	3000	3.20	2
TOK 145 50 SP4	450	3000	3.44	2
TOK 150 50 SP4	500	3000	3.67	2
TOK 160 50 SP4	600	3000	4.14	2

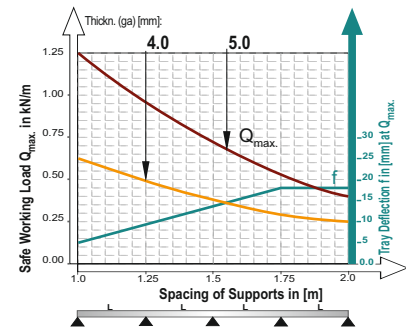
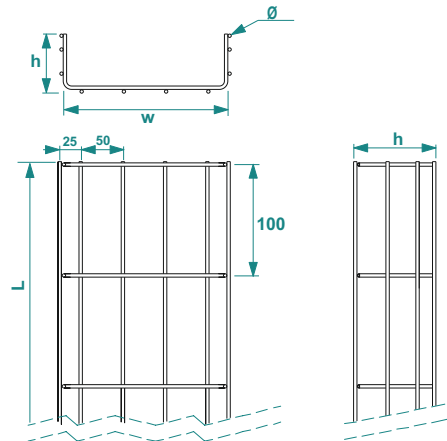
Stainless Steel 316 - Passivated

TOK ...	H110	4.0mm		
CODE	Width W mm	Length L mm	kg 1 m	pcs
TOK 110 40 S6	100	3000	1.14	2
TOK 115 40 S6	150	3000	1.29	2
TOK 120 40 S6	200	3000	1.44	2
TOK 125 40 S6	250	3000	1.59	2
TOK 130 40 S6	300	3000	1.74	2
TOK 140 40 S6	400	3000	2.04	2
TOK 145 40 S6	450	3000	2.19	2
TOK 150 40 S6	500	3000	2.35	2
TOK 160 40 S6	600	3000	2.65	2
5.0mm				
CODE	Width W mm	Length L mm	kg 1 m	pcs
TOK 110 50 S6	100	3000	1.78	2
TOK 115 50 S6	150	3000	2.02	2
TOK 120 50 S6	200	3000	2.25	2
TOK 125 50 S6	300	3000	2.49	2
TOK 130 50 S6	400	3000	2.73	2
TOK 140 50 S6	450	3000	3.20	2
TOK 145 50 S6	500	3000	3.44	2
TOK 150 50 S6	550	3000	3.67	2
TOK 160 50 S6	600	3000	4.14	2

Stainless Steel 316 - Polished

TOK ...	H110	4.0mm		
CODE	Width W mm	Length L mm	kg 1 m	pcs
TOK 110 40 SP6	100	3000	1.14	2
TOK 115 40 SP6	150	3000	1.29	2
TOK 120 40 SP6	200	3000	1.44	2
TOK 125 40 SP6	250	3000	1.59	2
TOK 130 40 SP6	300	3000	1.74	2
TOK 140 40 SP6	400	3000	2.04	2
TOK 145 40 SP6	450	3000	2.19	2
TOK 150 40 SP6	500	3000	2.35	2
TOK 160 40 SP6	600	3000	2.65	2
5.0mm				
CODE	Width W mm	Length L mm	kg 1 m	pcs
TOK 110 50 SP6	100	3000	1.78	2
TOK 115 50 SP6	150	3000	2.02	2
TOK 120 50 SP6	200	3000	2.25	2
TOK 125 50 SP6	300	3000	2.49	2
TOK 130 50 SP6	400	3000	2.73	2
TOK 140 50 SP6	450	3000	3.20	2
TOK 145 50 SP6	500	3000	3.44	2
TOK 150 50 SP6	550	3000	3.67	2
TOK 160 50 SP6	600	3000	4.14	2

TOK H110 (Stainless Steel)



This diagram comply with IEC 61537 with connection to 1/5 of the span and the end span = 0,8x the span

Q = max. admissible load (kg/m)
L = support distance (m)
f = Deflection (mm) / Max. deflection = L/100
Safety co-efficient = 1.5

Width	Usable Cross-Section
50	29 cm ²
100	58 cm ²
150	88 cm ²
200	118 cm ²
300	178 cm ²
400	238 cm ²
500	298 cm ²
600	358 cm ²

APPLICATIONS

Cable routing

MATERIAL

SS 304- Stainless Steel AISI 304L (S4)
SS 316- Stainless steel AISI 316L (S6)

Available finishes:

EG: Electro-galvanized
HDG-steel, hot-dip galv. to TS-EN ISO 1461:2011 (HDG)
EP-Powder coating in a full range of colours (RAL)

Thickn. (ga) [mm]: **4.0 5.0**

Connector - TBE (Set : U30+U25+C M6 20+FS M6)

Конектор- TBE (4 бр: U30+U25+C M6 20+FS M6)



Galvanised

TBE			
CODE	Finish	kg 1 Set	pcs
TBE EG	EG	0.03	100
TBE HDG	DAK	0.03	100

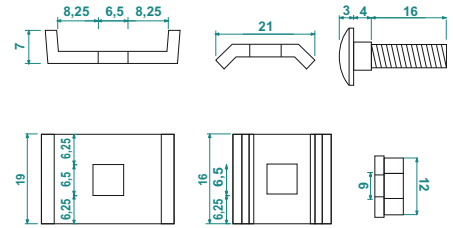
EG: Electro zinc plated
DAK: Dacromet

Stainless Steel

TBE			
CODE	Finish	kg 1 Set	pcs
TBE S4	S4	0.03	100
TBE S6	S6	0.03	100

S4: Stainless steel AISI 304L
S6: Stainless steel AISI 316L

TBE



Suggested quantities TBE connectors (per each length of wire mesh cable trays)

Width	H:35	H:60	H:85	H:110
50	2	2		
100	2	2	2+1	2+1
150	2	2	2+1	2+1
200	2+1	2+1	2+2	2+2
250	2+1	2+1	2+2	2+2
300	2+2	2+2	2+3	2+3
400	2+2	2+2	2+3	2+3
450	2+2	2+2	2+3	2+3
500	2+3	2+3	2+4	2+4
600	2+3	2+3	2+4	2+4

Fixing Unit - TSE (Set : U25+C M6 20+FS M6)

Фиксираща единица- TSE (3 бр: U25+C M6 20+FS M6)



Galvanised

TSE			
CODE	Finish	kg 1 Set	pcs
TSE EG	EG	0.018	100
TSE HDG	DAK	0.018	100

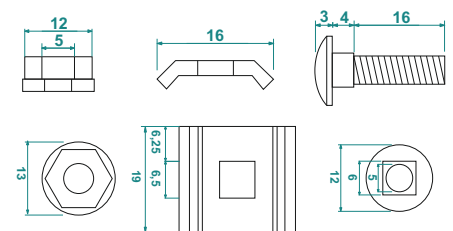
EG: Electro zinc plated
DAK: Dacromet

Stainless Steel

TSE			
CODE	Finish	kg 1 Set	pcs
TSE S4	EG	0.018	100
TSE S6	DAK	0.018	100

S4: Stainless steel AISI 304L
S6: Stainless steel AISI 316L

TSE



Suggested quantities of TSE fixing (per bracket)

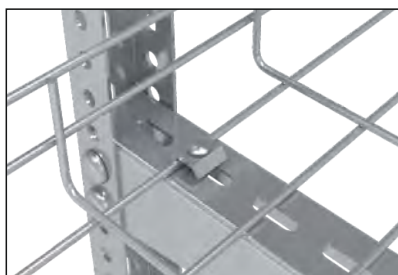
Width	Set / Bracket
50	1
100	1
150	1
200	2
250	2
300	2
400	2
450	2
500	2
600	2

Mounting Examples

TBE



TSE



APPLICATIONS

Cable routing

MATERIAL & FINISH

STEEL GRADE for EG & HDG FINISH: SAE 1006

EG: Electro-galvanized (8-12 micron) EN ISO 2081
HDG-steel, hot-dip galv. to TS-EN ISO 1461:2011 (HDG)
SS-Stainless steel AISI 304L and AISI 316L (SS)

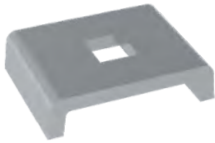
Available Finishes:

EP-Powder coating in a full range of colours (RAL)

Thickn. (ga) [mm]: 4.0 4.5 5.0

Connector piece - U30

Конекторна част - U30



Galvanised

U30				
CODE	Finish	Length L, mm	kg 1 pc	pcs
U30 EG	EG	30	0.012	100
U30 HDG	DAK	30	0.012	100

EG: Electro-zinc plated
DAK: Dacromet

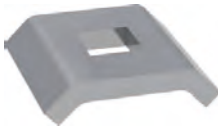
Stainless Steel

U30				
CODE	Finish	Length L, mm	kg 1 pc	pcs
U30 S4	S4	30	0.012	100
U30 S6	S6	30	0.012	100

S4: Stainless steel AISI 304L
S6: Stainless steel AISI 316L

Connector Piece - U25

Конекторна част - U25



Galvanised

U25				
CODE	Finish	Length L, mm	kg 1 pc	pcs
U25 EG	EG	25	0.009	100
U25 HDG	DAK	25	0.009	100

EG: Electro-zinc plated
DAK: Dacromet

Stainless Steel

U25				
CODE	Finish	Length L, mm	kg 1 pc	pcs
U25 S4	S4	25	0.009	100
U25 S6	S6	25	0.009	100

S4: Stainless steel AISI 304L
S6: Stainless steel AISI 316L

Round Head Squire Neck Bolt



Galvanised

C M6 20				
CODE	Finish	Size	kg 1 pc	pcs
C M6 20 EG	EG	M6x20	0.007	100
C M6 20 HDG	DAK	M6x20	0.007	100

EG: Electro-zinc plated
DAK: Dacromet

Stainless Steel

C M6 20				
CODE	Finish	Size	kg 1 pc	pcs
C M6 20 S4	A2	M6x20	0.007	100
C M6 20 S6	A4	M6x20	0.007	100

A2: Stainless steel AISI 304L
A4: Stainless steel AISI 316L

DIN 6923 Flanged Nut



Galvanised

FS M6				
CODE	Finish	Size	kg 1 pc	pcs
FS M6 EG	EG	M6	0.002	100
FS M6 HDG	DAK	M6	0.002	100

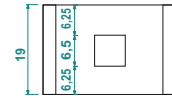
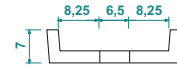
EG: Electro-zinc plated
DAK: Dacromet

Stainless Steel

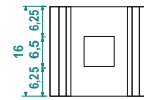
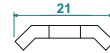
FS M6				
CODE	Finish	Size	kg 1 pc	pcs
FS M6 S4	A2	M6	0.002	100
FS M6 S6	A4	M6	0.002	100

A2: Stainless steel AISI 304L
A4: Stainless steel AISI 316L

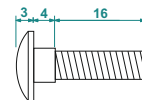
U30



U25



C M6 20



FS M6



APPLICATIONS

Cable routing

MATERIAL & FINISH

STEEL GRADE for EG & HDG FINISH: SAE 1006

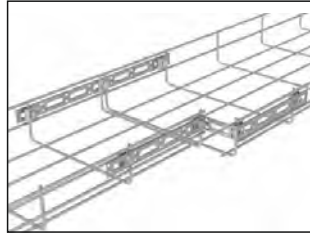
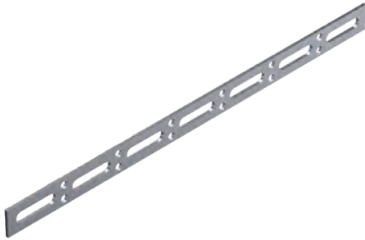
EG: Electro-galvanized (8-12 micron) EN ISO 2081
HDG-steel, hot-dip galv. to TS-EN ISO 1461:2011 (HDG)
SS-Stainless steel AISI 304L and AISI 316L (SS)

Available Finishes:

EP-Powder coating in a full range of colours (RAL)

Multipurpose Connection Strip

Многофункционална свързваща лента



Galvanised

VBE				
CODE	Finish	Length L, mm	kg 1 pc	pcs
VBE 3 PG	PG	300	0.045	100
VBE 6 PG	PG	600	0.090	50
VBE 12 PG	PG	1200	0.180	20
VBE 3 HDG	DAK	300	0.045	100
VBE 6 HDG	DAK	600	0.090	50
VBE 12 HDG	DAK	1200	0.180	20

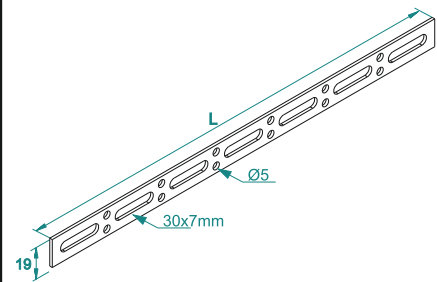
PG: Pregalvanised steel
DAK: Dacromet

Stainless Steel

VBE				
CODE	Finish	Length L, mm	kg 1 pc	pcs
VBE 3 S4	S4	300	0.045	100
VBE 6 S4	S4	600	0.090	50
VBE 12 S4	S4	1200	0.180	20
VBE 3 S6	S6	300	0.045	100
VBE 6 S6	S6	600	0.090	50
VBE 12 S6	S6	1200	0.180	20

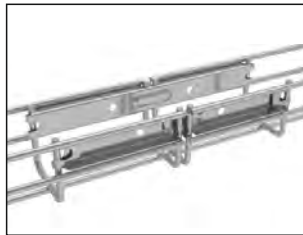
S4: Stainless steel AISI 304L
S6: Stainless steel AISI 316L

VBE



Boltless Connector

Конектор без болтове



Galvanised

HBE				
CODE	Finish	Length L, mm	kg 1 pc	pcs
HBE PG	PG	220	0.080	50
HBE HDG	DAK	220	0.080	50

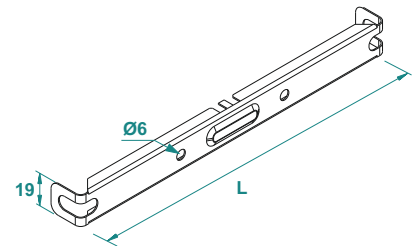
PG: Pregalvanised steel
DAK: Dacromet

Stainless Steel

HBE				
CODE	Finish	Length L, mm	kg 1 pc	pcs
HBE S4	S4	220	0.080	50
HBE S6	S6	220	0.080	50

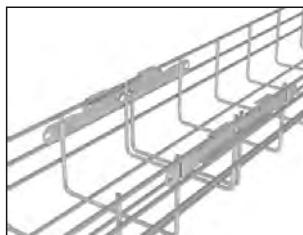
S4: Stainless steel AISI 304L
S6: Stainless steel AISI 316L

HBE



Straight Quick Connector

Прав бърз конектор



Galvanised

GBE				
CODE	Finish	Length L, mm	kg 1 pc	pcs
GBE PG	PG	260	0.100	50
GBE HDG	DAK	260	0.100	50

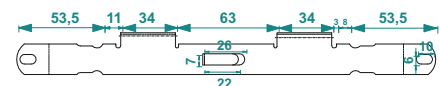
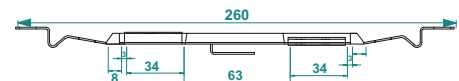
PG: Pregalvanised steel
DAK: Dacromet

Stainless Steel

GBE				
CODE	Finish	Length L, mm	kg 1 pc	pcs
GBE S4	S4	260	0.100	50
GBE S6	S6	260	0.100	50

S4: Stainless steel AISI 304L
S6: Stainless steel AISI 316L

GBE



APPLICATIONS
Cable routing

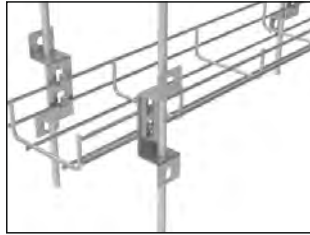
MATERIAL & FINISH
STEEL GRADE for EG & HDG FINISH: SAE 1006

EG: Electro-galvanized (8-12 micron) EN ISO 2081
HDG-steel, hot-dip galv. to TS-EN ISO 1461:2011 (HDG)
SS-Stainless steel AISI 304L and AISI 316L (SS)

Available Finishes:
EP-Powder coating in a full range of colours (RAL)

Hanger / Side Support

Закачалка / странична опора



Galvanised

HC					
CODE	Finish	Size	kg 1 pc	pcs	
HC PG	PG	113X30	0.050	100	
HC HDG	DAK	113X30	0.050	100	

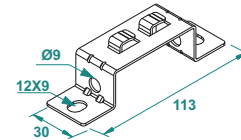
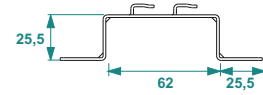
PG: Pregalvanised steel
DAK: Dacromet

Stainless Steel

HC					
CODE	Finish	Size	kg 1 pc	pcs	
HC S4	S4	113x30	0.050	100	
HC S6	S6	113x30	0.050	100	

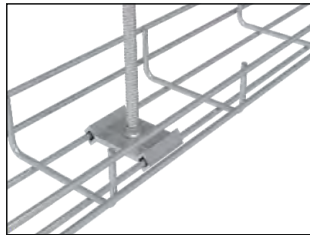
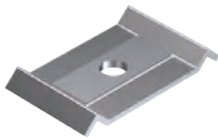
S4: Stainless steel AISI 304L
S6: Stainless steel AISI 316L

HC



Suspension Clamp / Central Support

Скоба за окачване



Galvanised

SC					
CODE	Finish	Size	kg 1 pc	pcs	
SC EG	EG	60x35	0.040	100	
SC HDG	DAK	60x35	0.040	100	

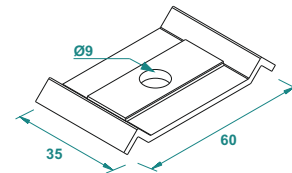
PG: Pregalvanised steel
DAK: Dacromet

Stainless Steel

SC					
CODE	Finish	Size	kg 1 pc	pcs	
SC S4	S4	60x35	0.040	100	
SC S6	S6	60x35	0.040	100	

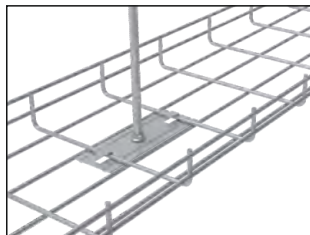
S4: Stainless steel AISI 304L
S6: Stainless steel AISI 316L

SC



Hanger / Central Support

Закачалка / Централна опора



Galvanised

H10					
CODE	Finish	Length L, mm	kg 1 pc	pcs	
H10 PG	PG	130	0.052	50	
H10 HDG	DAK	130	0.052	50	

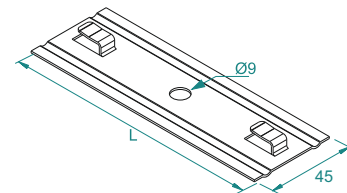
PG: Pregalvanised steel
DAK: Dacromet

Stainless Steel

H10					
CODE	Finish	Length L, mm	kg 1 pc	pcs	
H10 S4	S4	130	0.052	50	
H10 S6	S6	130	0.052	50	

S4: Stainless steel AISI 304L
S6: Stainless steel AISI 316L

H10



APPLICATIONS
Cable routing

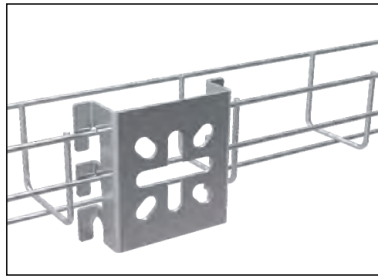
MATERIAL & FINISH
STEEL GRADE for EG & HDG FINISH: SAE 1006

EG: Electro-galvanized (8-12 micron) EN ISO 2081
HDG-steel, hot-dip galv. to TS-EN ISO 1461:2011 (HDG)
SS-Stainless steel AISI 304L and AISI 316L (SS)

Available Finishes:
EP-Powder coating in a full range of colours (RAL)

Wall Bracket and Boxes Fixing Support

Стенна скоба и опора за фиксиране на кутии



Galvanised

MSB					
CODE	Finish	Size	kg 1 pc	pcs	
MSB PG	PG	85x75	0.100	50	
MSB HDG	DAK	85x75	0.100	50	

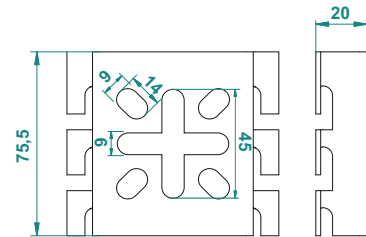
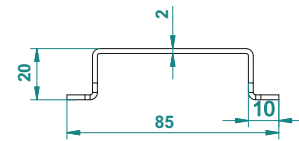
PG: Pregalvanised steel
DAK: Dacromet

Stainless Steel

MSB					
CODE	Finish	Size	kg 1 pc	pcs	
MSB S4	S4	85x75	0.100	50	
MSB S6	S6	85x75	0.100	50	

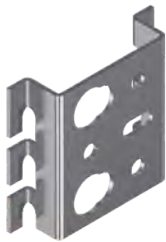
S4: Stainless steel AISI 304L
S6: Stainless steel AISI 316L

MSB



D16-20mm Pipe Mount Spider Bracket

D16-20mm - Паяжина за монтаж на тръба



Galvanised

BSB					
CODE	Finish	Size	kg 1 pc	pcs	
BSB PG	PG	85x75	0.100	50	
BSB HDG	DAK	85x75	0.100	50	

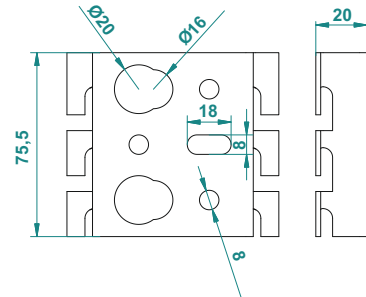
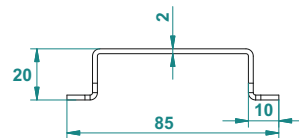
PG: Pregalvanised steel
DAK: Dacromet

Stainless Steel

BSB					
CODE	Finish	Size	kg 1 pc	pcs	
BSB S4	S4	85x75	0.100	50	
BSB S6	S6	85x75	0.100	50	

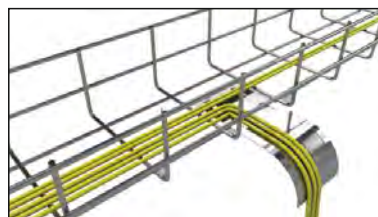
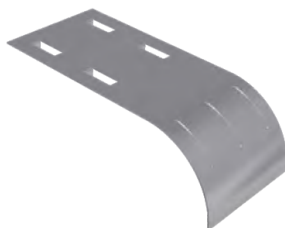
S4: Stainless steel AISI 304L
S6: Stainless steel AISI 316L

BSB



Cable Guider - CG

Кабеловодач



Galvanised

CG					
CODE	Finish	Size	kg 1 pc	pcs	
CG PG	PG	80x155	0.150	50	
CG HDG	DAK	80x155	0.150	50	

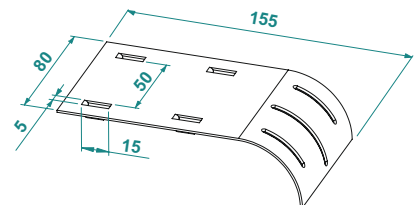
PG: Pregalvanised steel
DAK: Dacromet

Stainless Steel

CG					
CODE	Finish	Size	kg 1 pc	pcs	
CG S4	S4	80x155	0.150	50	
CG S6	S6	80x155	0.150	50	

S4: Stainless steel AISI 304L
S6: Stainless steel AISI 316L

CG



APPLICATIONS

Cable routing

MATERIAL & FINISH

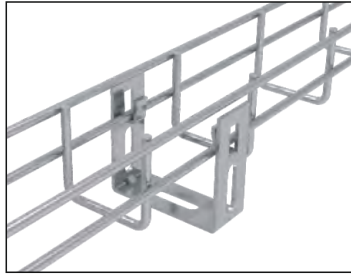
STEEL GRADE for EG & HDG FINISH: SAE 1006

EG: Electro-galvanized (8-12 micron) EN ISO 2081
HDG-steel, hot-dip galv. to TS-EN ISO 1461:2011 (HDG)
SS-Stainless steel AISI 304L and AISI 316L (SS)

Available Finishes:

EP-Powder coating in a full range of colours (RAL)

50 Floor Stand



Galvanised

FWS 50				
CODE	Finish	Size	KG 1 pc	pcs
FWS 50 PG	PG	70x70	0.080	50
FWS 50 HDG	DAK	70x70	0.080	50

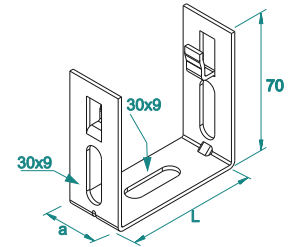
PG: Pregalvanised steel
DAK: Dacromet

Stainless Steel

FWS 50				
CODE	Finish	Size	KG 1 pc	pcs
FWS 50 S4	S4	70x70	0.080	50
FWS 50 S6	S6	70x70	0.080	50

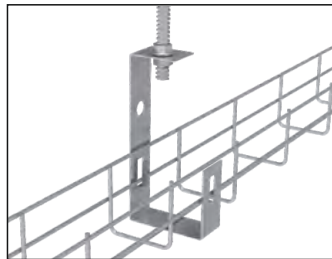
S4: Stainless steel AISI 304L
S6: Stainless steel AISI 316L

FWS 50



50 Single Rod Ceiling Bracket (M8)

Единичен прът - конзола за таван



Galvanised

CWS 50				
CODE	Finish	Size	KG 1 pc	pcs
CWS 50 PG	PG	70x130	0.120	50
CWS 50 HDG	DAK	70x130	0.120	50

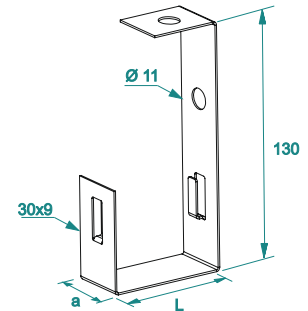
PG: Pregalvanised steel
DAK: Dacromet

Stainless Steel

CWS 50				
CODE	Finish	Size	KG 1 pc	pcs
CWS 50 S4	S4	70x130	0.120	50
CWS 50 S6	S6	70x130	0.120	50

S4: Stainless steel AISI 304L
S6: Stainless steel AISI 316L

CWS 50



Wire Mesh Hanging Bracket

Скоба за окачване от телена мрежа



Galvanised

OHB				
CODE	Finish	Size	KG 1 pc	pcs
OHB EG	EG	75x150	0.521	10
OHB HDG	HDG	75x150	0.521	10

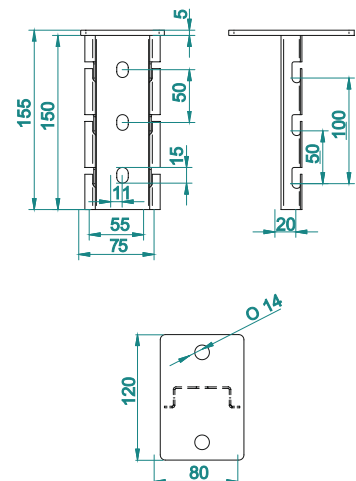
PG: Pregalvanised steel
HDG: HOT DIP GALVANISED

Stainless Steel

OHB				
CODE	Finish	Size	KG 1 pc	pcs
OHB S4	S4	75x150	0.521	10
OHB S6	S6	75x150	0.521	10

S4: Stainless steel AISI 304L
S6: Stainless steel AISI 316L

OHB 50



APPLICATIONS

Cable routing

MATERIAL & FINISH

STEEL GRADE for EG & HDG FINISH: SAE 1006

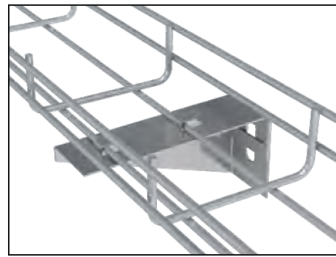
EG: Electro-galvanized (8-12 micron) EN ISO 2081
HDG-steel, hot-dip galv. to TS-EN ISO 1461:2011 (HDG)
SS-Stainless steel AISI 304L and AISI 316L (SS)

Available Finishes:

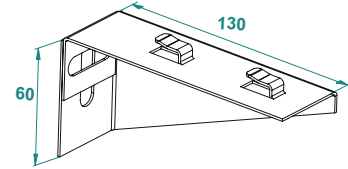
EP-Powder coating in a full range of colours (RAL)

Support For Wall Mounting

Опора за стениен монтаж



WBH 10



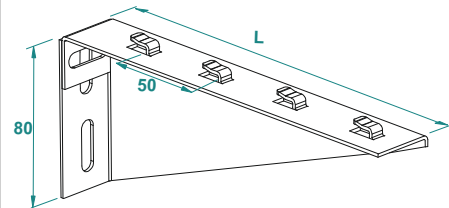
Pre-Galvanised

WBH	PG			
CODE	Width of Tray	Length L, mm	Kg 1 pc	pcs
WBH 10 PG	100	130	0.150	50
WBH 15 PG	150	180	0.194	50
WBH 20 PG	200	230	0.233	50
WBH 25 PG	250	280	0.260	50
WBH 30 PG	300	330	0.370	50
WBH 40 PG	400	430	0.570	50
WBH 45 PG	450	480	0.640	25
WBH 50 PG	500	530	0.710	25
WBH 60 PG	600	630	0.850	25

Hot Dip Galvanised

WBH	HDG			
CODE	Width of Tray	Length L, mm	Kg 1 pc	pcs
WBH 10 HDG	100	130	0.150	50
WBH 15 HDG	150	180	0.194	50
WBH 20 HDG	200	230	0.233	50
WBH 25 HDG	250	280	0.260	50
WBH 30 HDG	300	330	0.370	50
WBH 40 HDG	400	430	0.570	50
WBH 45 HDG	450	480	0.640	25
WBH 50 HDG	500	530	0.710	25
WBH 60 HDG	600	630	0.850	25

WBH 20 - WBH 60



Stainless Steel AISI 304

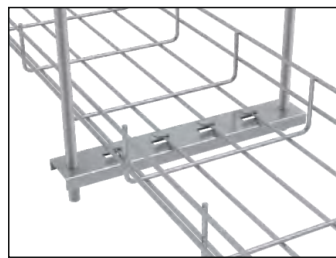
WBH	S4			
CODE	Width of Tray	Length L, mm	Kg 1 pc	pcs
WBH 10 S4	100	130	0.150	50
WBH 15 S4	150	180	0.194	50
WBH 20 S4	200	230	0.233	50
WBH 25 S4	250	280	0.260	50
WBH 30 S4	300	330	0.370	50
WBH 40 S4	400	430	0.570	50
WBH 45 S4	450	480	0.640	25
WBH 50 S4	500	530	0.710	25
WBH 60 S4	600	630	0.850	25

Stainless Steel AISI 316

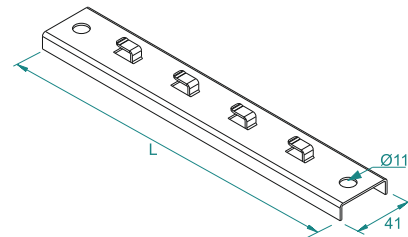
WBH	S6			
CODE	Width of Tray	Length L, mm	Kg 1 pc	pcs
WBH 10 S6	100	130	0.150	50
WBH 15 S6	150	180	0.194	50
WBH 20 S6	200	230	0.233	50
WBH 25 S6	250	280	0.260	50
WBH 30 S6	300	330	0.370	50
WBH 40 S6	400	430	0.570	50
WBH 45 S6	450	480	0.640	25
WBH 50 S6	500	530	0.710	25
WBH 60 S6	600	630	0.850	25

Hanging Rail / Central Support

Закчалка / Централна опора



HR



Pre-Galvanised

HR	PG			
CODE	Width of Tray	Length L, mm	Kg 1 pc	pcs
HR 10 PG	100	160	0.100	50
HR 15 PG	150	210	0.141	50
HR 20 PG	200	260	0.175	50
HR 25 PG	250	310	0.208	50
HR 30 PG	300	360	0.242	50
HR 40 PG	400	460	0.309	50
HR 45 PG	450	510	0.340	25
HR 50 PG	500	560	0.376	25
HR 60 PG	600	660	0.443	25

Hot Dip Galvanised

HR	HDG			
CODE	Width of Tray	Length L, mm	Kg 1 pc	pcs
HR 10 HDG	100	160	0.100	50
HR 15 HDG	150	210	0.141	50
HR 20 HDG	200	260	0.175	50
HR 25 HDG	250	310	0.208	50
HR 30 HDG	300	360	0.242	50
HR 40 HDG	400	460	0.309	50
HR 45 HDG	450	510	0.340	25
HR 50 HDG	500	560	0.376	25
HR 60 HDG	600	660	0.443	25

Stainless Steel AISI 304

HR	S4			
CODE	Width of Tray	Length L, mm	Kg 1 pc	pcs
HR 10 S4	100	160	0.100	50
HR 15 S4	150	210	0.141	50
HR 20 S4	200	260	0.175	50
HR 25 S4	250	310	0.208	50
HR 30 S4	300	360	0.242	50
HR 40 S4	400	460	0.309	50
HR 45 S4	450	510	0.340	25
HR 50 S4	500	560	0.376	25
HR 60 S4	600	660	0.443	25

Stainless Steel AISI 316

HR	S6			
CODE	Width of Tray	Length L, mm	Kg 1 pc	pcs
HR 10 S6	100	160	0.100	50
HR 15 S6	150	210	0.141	50
HR 20 S6	200	260	0.175	50
HR 25 S6	250	310	0.208	50
HR 30 S6	300	360	0.242	50
HR 40 S6	400	460	0.309	50
HR 45 S6	450	510	0.340	25
HR 50 S6	500	560	0.376	25
HR 60 S6	600	660	0.443	25

APPLICATIONS

Cable routing

MATERIAL & FINISH

STEEL GRADE for EG & HDG FINISH: SAE 1006

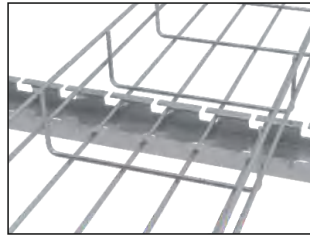
EG: Electro-galvanized (8-12 micron) EN ISO 2081
 HDG-steel, hot-dip galv. to TS-EN ISO 1461:2011 (HDG)
 SS-Stainless steel AISI 304L and AISI 316L (SS)

Available Finishes:

EP-Powder coating in a full range of colours (RAL)

Wire Mesh Omega Support Hanger

Омега опорна закачалка от телена мрежа



Pre-Galvanised

OMG	PG	2.0mm		
CODE	Length L, mm	kg 1 pc	pcs	
OMG 100 PG	1000	1.520	2	
OMG 150 PG	1500	2.280	2	
OMG 200 PG	2000	3.040	2	
OMG 250 PG	2500	3.800	2	
OMG 300 PG	3000	4.560	2	

Hot Dip Galvanised

OMG	HDG	2.0mm		
CODE	Length L, mm	kg 1 pc	pcs	
OMG 100 HDG	1000	1.520	2	
OMG 150 HDG	1500	2.280	2	
OMG 200 HDG	2000	3.040	2	
OMG 250 HDG	2500	3.800	2	
OMG 300 HDG	3000	4.560	2	

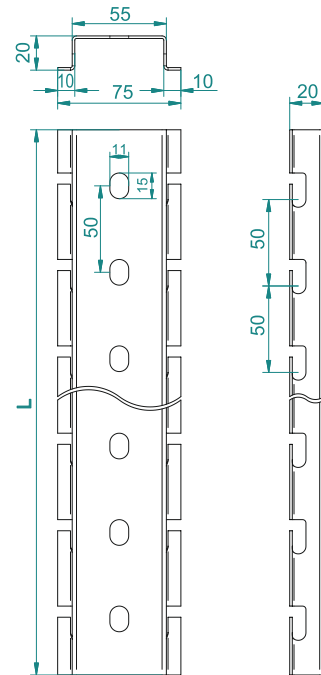
Pre-Galvanised

OMG	S4	2.0mm		
CODE	Length L, mm	kg 1 pc	pcs	
OMG 100 S4	1000	1.520	2	
OMG 150 S4	1500	2.280	2	
OMG 200 S4	2000	3.040	2	
OMG 250 S4	2500	3.800	2	
OMG 300 S4	3000	4.560	2	

Hot Dip Galvanised

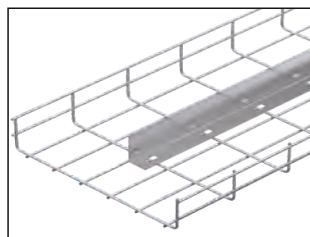
OMG	S6	2.0mm		
CODE	Length L, mm	kg 1 pc	pcs	
OMG 100 S6	1000	1.520	2	
OMG 150 S6	1500	2.280	2	
OMG 200 S6	2000	3.040	2	
OMG 250 S6	2500	3.800	2	
OMG 300 S6	3000	4.560	2	

OMG



Barrier Strip Hook Type

Преградна лента тип кука



Pre-Galvanised

BS	PG			
CODE	Height H, mm	Length L, mm	kg 1 pc	pcs
BS 35 PG	25	3000	0.432	1
BS 60 PG	50	3000	0.628	1
BS 85 PG	75	3000	0.824	1
BS 110 PG	100	3000	1.021	1

Hot Dip Galvanised

BS	HDG			
CODE	Height H, mm	Length L, mm	kg 1 pc	pcs
BS 35 HDG	25	3000	0.518	1
BS 60 HDG	50	3000	0.754	1
BS 85 HDG	75	3000	1.236	1
BS 110 HDG	100	3000	1.532	1

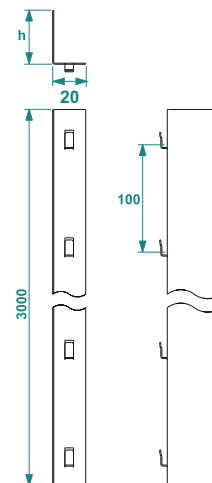
Stainless Steel AISI 304

BS	S4			
CODE	Height H, mm	Length L, mm	kg 1 pc	pcs
BS 35 S4	25	3000	0.432	1
BS 60 S4	50	3000	0.628	1
BS 85 S4	75	3000	0.824	1
BS 110 S4	100	3000	1.021	1

Stainless Steel AISI 316

BS	S6			
CODE	Height H, mm	Length L, mm	kg 1 pc	pcs
BS 35 S6	25	3000	0.432	1
BS 60 S6	50	3000	0.628	1
BS 85 S6	75	3000	0.824	1
BS 110 S6	100	3000	1.021	1

BS



APPLICATIONS

Cable routing

MATERIAL & FINISH

STEEL GRADE for EG & HDG FINISH: SAE 1006

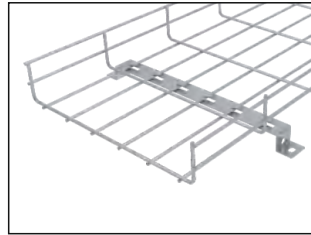
EG: Electro-galvanized (8-12 micron) EN ISO 2081
HDG-steel, hot-dip galv. to TS-EN ISO 1461:2011 (HDG)
SS-Stainless steel AISI 304L and AISI 316L (SS)

Available Finishes:

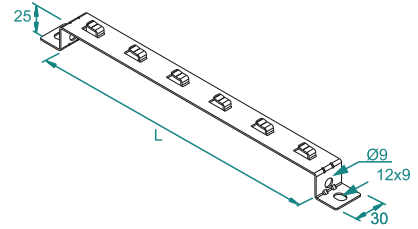
EP-Powder coating in a full range of colours (RAL)

Support For Floor and Wall Mounting

Опора за подов и стенов монтаж



FWH



Pre-Galvanised

FWH		PG			
CODE	Width of Tray	Length L, mm	KG 1 pc	pcs	
FWH 10 PG	100	100	0.140	50	
FWH 15 PG	150	150	0.180	50	
FWH 20 PG	200	200	0.210	50	
FWH 25 PG	250	250	0.250	50	
FWH 30 PG	300	300	0.280	50	
FWH 40 PG	400	400	0.350	50	
FWH 45 PG	450	450	0.390	25	
FWH 50 PG	500	500	0.420	25	
FWH 60 PG	600	600	0.490	25	

Hot Dip Galvanised

FWH		HDG			
CODE	Width of Tray	Length L, mm	KG 1 pc	pcs	
FWH 10 HDG	100	100	0.140	50	
FWH 15 HDG	150	150	0.180	50	
FWH 20 HDG	200	200	0.210	50	
FWH 25 HDG	250	250	0.250	50	
FWH 30 HDG	300	300	0.280	50	
FWH 40 HDG	400	400	0.350	50	
FWH 45 HDG	450	450	0.390	25	
FWH 50 HDG	500	500	0.420	25	
FWH 60 HDG	600	600	0.490	25	

Stainless Steel AISI 304

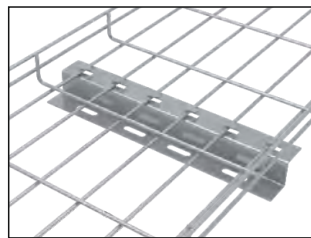
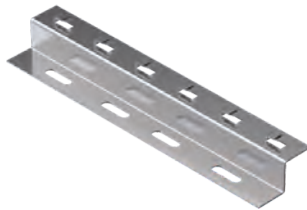
FWH		S4			
CODE	Width of Tray	Length L, mm	KG 1 pc	pcs	
FWH 10 S4	100	100	0.140	50	
FWH 15 S4	150	150	0.180	50	
FWH 20 S4	200	200	0.210	50	
FWH 25 S4	250	250	0.250	50	
FWH 30 S4	300	300	0.280	50	
FWH 40 S4	400	400	0.350	50	
FWH 45 S4	450	450	0.390	25	
FWH 50 S4	500	500	0.420	25	
FWH 60 S4	600	600	0.490	25	

Stainless Steel AISI 316

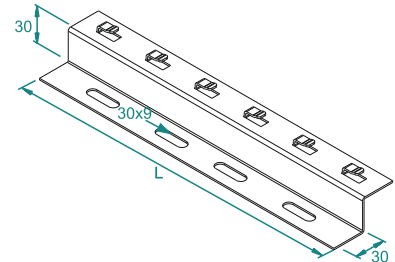
FWH		S6			
CODE	Width of Tray	Length L, mm	KG 1 pc	pcs	
FWH 10 S6	100	100	0.140	50	
FWH 15 S6	150	150	0.180	50	
FWH 20 S6	200	200	0.210	50	
FWH 25 S6	250	250	0.250	50	
FWH 30 S6	300	300	0.280	50	
FWH 40 S6	400	400	0.350	50	
FWH 45 S6	450	450	0.390	25	
FWH 50 S6	500	500	0.420	25	
FWH 60 S6	600	600	0.490	25	

Z Support for Floor and Wall Mounting

Z опора за под и стенов монтаж



ZFW



Pre-Galvanised

ZFW		PG			
CODE	Width of Tray	Length L, mm	KG 1 pc	pcs	
ZFW 10 PG	100	100	0.110	50	
ZFW 15 PG	150	150	0.160	50	
ZFW 20 PG	200	200	0.210	50	
ZFW 25 PG	250	250	0.260	50	
ZFW 30 PG	300	300	0.420	50	
ZFW 40 PG	400	400	0.570	50	
ZFW 45 PG	450	450	0.640	25	
ZFW 50 PG	500	500	0.710	25	
ZFW 60 PG	600	600	0.850	25	

Hot Dip Galvanised

ZFW		HDG			
CODE	Width of Tray	Length L, mm	KG 1 pc	pcs	
ZFW 10 HDG	100	100	0.110	50	
ZFW 15 HDG	150	150	0.160	50	
ZFW 20 HDG	200	200	0.210	50	
ZFW 25 HDG	250	250	0.260	50	
ZFW 30 HDG	300	300	0.420	50	
ZFW 40 HDG	400	400	0.570	50	
ZFW 45 HDG	450	450	0.640	25	
ZFW 50 HDG	500	500	0.710	25	
ZFW 60 HDG	600	600	0.850	25	

Stainless Steel AISI 304

ZFW		S4			
CODE	Width of Tray	Length L, mm	KG 1 pc	pcs	
ZFW 10 S4	100	100	0.110	50	
ZFW 15 S4	150	150	0.160	50	
ZFW 20 S4	200	200	0.210	50	
ZFW 25 S4	250	250	0.260	50	
ZFW 30 S4	300	300	0.420	50	
ZFW 40 S4	400	400	0.570	50	
ZFW 45 S4	450	450	0.640	25	
ZFW 50 S4	500	500	0.710	25	
ZFW 60 S4	600	600	0.850	25	

Stainless Steel AISI 316

ZFW		S6			
CODE	Width of Tray	Length L, mm	KG 1 pc	pcs	
ZFW 10 S6	100	100	0.110	50	
ZFW 15 S6	150	150	0.160	50	
ZFW 20 S6	200	200	0.210	50	
ZFW 25 S6	250	250	0.260	50	
ZFW 30 S6	300	300	0.420	50	
ZFW 40 S6	400	400	0.570	50	
ZFW 45 S6	450	450	0.640	25	
ZFW 50 S6	500	500	0.710	25	
ZFW 60 S6	600	600	0.850	25	

APPLICATIONS

Cable routing

MATERIAL & FINISH

STEEL GRADE for EG & HDG FINISH: SAE 1006

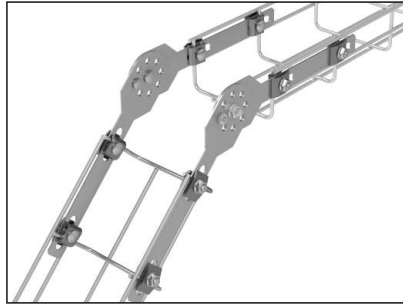
EG: Electro-galvanized (8-12 micron) EN ISO 2081
 HDG-steel, hot-dip galv. to TS-EN ISO 1461:2011 (HDG)
 SS-Stainless steel AISI 304L and AISI 316L (SS)

Available Finishes:

EP-Powder coating in a full range of colours (RAL)

Barrier Strip Hook Type

Преградна лента тип кука



Pre-Galvanized

BDDT		PG		2.0mm	
CODE	Height H, mm	Length L, mm	kg 1 pc	pcs	
BDDT 120 PG	20	380	0,283	100	
BDDT 140 PG	40	380	0,389	100	

Hot Dip Galvanized

BDDT		HDG		2.0mm	
CODE	Height H, mm	Length L, mm	kg 1 pc	pcs	
BDDT 120 HDG	20	380	0,283	100	
BDDT 140 HDG	40	380	0,389	100	

Stainless Steel 304

BDDT		S4		2.0mm	
CODE	Height H, mm	Hole D, mm	kg 1 pc	pcs	
BDDT 120 S4	50	M10	0,082	100	
BDDT 140 S4	100	M10	0,126	100	

Stainless Steel 316

BDDT		S6		2.0mm	
CODE	Height H, mm	Hole D, mm	kg 1 pc	pcs	
BDDT 120 S6	50	M10	0,082	100	
BDDT 140 S6	100	M10	0,126	100	

Support For Wall Mounting

Опора за стенин монтаж



Pre-Galvanized

HRS		PG			
CODE	Width W, mm	Hole D, mm	kg 1 pc	pcs	
HRS 50 PG	50	M10	0,082	100	
HRS 100 PG	100	M10	0,126	100	
HRS 150 PG	150	M10	0,163	100	
HRS 200 PG	200	M10	0,283	100	

Hot Dip Galvanized

HRS		HDG			
CODE	Width W, mm	Hole D, mm	kg 1 pc	pcs	
HRS 50 HDG	50	M10	0,082	100	
HRS 100 HDG	100	M10	0,126	100	
HRS 150 HDG	150	M10	0,163	100	
HRS 200 HDG	200	M10	0,283	100	

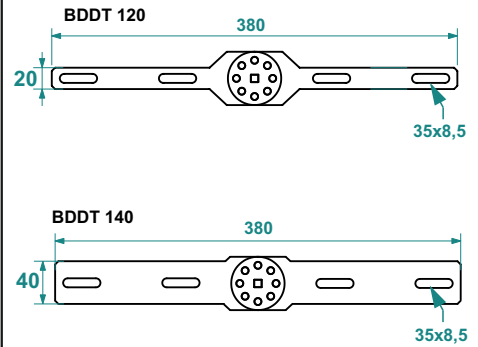
Stainless Steel 304

HRS		S4			
CODE	Width W, mm	Hole D, mm	kg 1 pc	pcs	
HRS 50 S4	50	M10	0,082	100	
HRS 100 S4	100	M10	0,126	100	
HRS 150 S4	150	M10	0,163	100	
HRS 200 S4	200	M10	0,283	100	

Stainless Steel 316

HRS		S6			
CODE	Width W, mm	Hole D, mm	kg 1 pc	pcs	
HRS 50 S6	50	M10	0,082	100	
HRS 100 S6	100	M10	0,126	100	
HRS 150 S6	150	M10	0,163	100	
HRS 200 S6	200	M10	0,283	100	

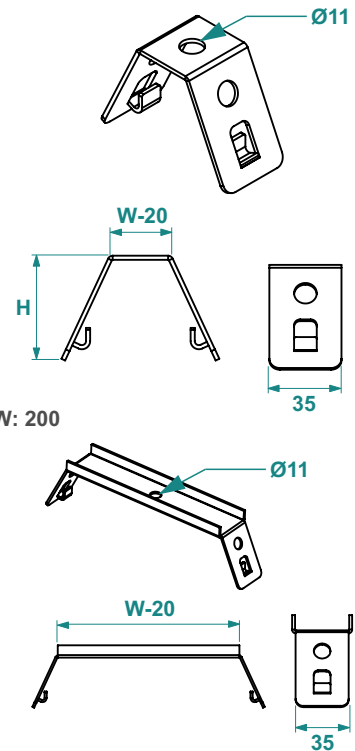
BDDT



1 Set=2 pcs

HRS

W: 50 / 100 / 150



APPLICATIONS

Cable routing

MATERIAL & FINISH

STEEL GRADE for EG & HDG FINISH: SAE 1006

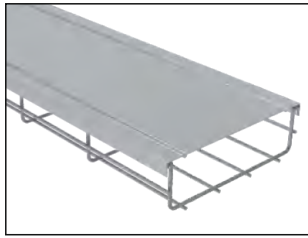
EG: Electro-galvanized (8-12 micron) EN ISO 2081
 HDG-steel, hot-dip galv. to TS-EN ISO 1461:2011 (HDG)
 SS-Stainless steel AISI 304L and AISI 316L (SS)

Available Finishes:

EP-Powder coating in a full range of colours (RAL)

Cover of Wire Mesh Cable Tray

Капак на кабелна скара от телена мрежа



Pre-Galvanised

TKK	PG	0.8mm		
CODE	Width a, mm	Length L, mm	kg 1 pc	pcs
TKK 05 08 PG	50	3000	0.628	2
TKK 10 08 PG	100	3000	0.942	2
TKK 15 08 PG	150	3000	1.256	2
TKK 20 08 PG	200	3000	1.570	2
1.0mm				
CODE	Width a, mm	Length L, mm	kg 1 pc	pcs
TKK 25 10 PG	250	3000	2.355	2
TKK 30 10 PG	300	3000	2.748	2
1.2mm				
CODE	Width a, mm	Length L, mm	kg 1 pc	pcs
TKK 40 12 PG	400	3000	4.239	2
TKK 45 12 PG	450	3000	4.710	2
TKK 50 12 PG	500	3000	5.181	2
TKK 60 12 PG	600	3000	6.123	2

Hot Dip Galvanised

TKK	HDG	1.0mm		
CODE	Width a, mm	Length L, mm	kg 1 pc	pcs
TKK 05 10 HDG	50	3000	0.785	2
TKK 10 10 HDG	100	3000	1.178	2
TKK 15 10 HDG	150	3000	1.570	2
TKK 20 10 HDG	200	3000	1.963	2
1.2mm				
CODE	Width a, mm	Length L, mm	kg 1 pc	pcs
TKK 25 12 HDG	250	3000	2.826	2
TKK 30 12 HDG	300	3000	3.297	2
1.5mm				
CODE	Width a, mm	Length L, mm	kg 1 pc	pcs
TKK 40 15 HDG	400	3000	5.299	2
TKK 45 15 HDG	450	3000	5.888	2
TKK 50 15 HDG	500	3000	6.476	2
TKK 60 15 HDG	600	3000	7.654	2

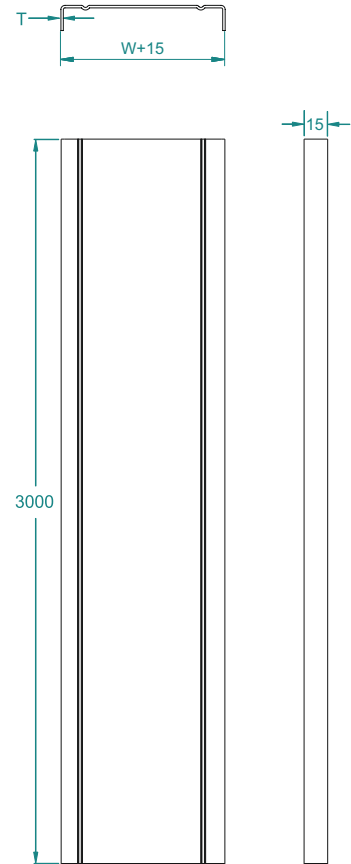
Stainless Steel AISI 304

TKK	S4	0.8mm		
CODE	Width a, mm	Length L, mm	kg 1 pc	pcs
TKK 05 08 S4	50	3000	0.628	2
TKK 10 08 S4	100	3000	0.942	2
TKK 15 08 S4	150	3000	1.256	2
TKK 20 08 S4	200	3000	1.570	2
TKK 25 08 S4	250	3000	1.884	2
TKK 30 08 S4	300	3000	2.198	2
1.0mm				
CODE	Width a, mm	Length L, mm	kg 1 pc	pcs
TKK 40 10 S4	400	3000	3.533	2
TKK 45 10 S4	450	3000	3.925	2
TKK 50 10 S4	500	3000	4.318	2
TKK 60 10 S4	600	3000	5.103	2

Stainless Steel AISI 316

TKK	S6	0.8mm		
CODE	Width a, mm	Length L, mm	kg 1 pc	pcs
TKK 05 08 S6	50	3000	0.628	2
TKK 10 08 S6	100	3000	0.942	2
TKK 15 08 S6	150	3000	1.256	2
TKK 20 08 S6	200	3000	1.570	2
TKK 25 08 S6	250	3000	1.884	2
TKK 30 08 S6	300	3000	2.198	2
1.0mm				
CODE	Width a, mm	Length L, mm	kg 1 pc	pcs
TKK 40 10 S6	400	3000	3.533	2
TKK 45 10 S6	450	3000	3.925	2
TKK 50 10 S6	500	3000	4.318	2
TKK 60 10 S6	600	3000	5.103	2

TKK



APPLICATIONS

Cable routing

MATERIAL & FINISH

STEEL GRADE for EG & HDG FINISH: SAE 1006

EG: Electro-galvanized (8-12 micron) EN ISO 2081
 HDG-steel, hot-dip galv. to TS-EN ISO 1461:2011 (HDG)
 SS-Stainless steel AISI 304L and AISI 316L (SS)

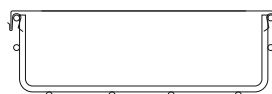
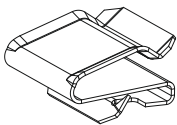
Available Finishes:

EP-Powder coating in a full range of colours (RAL)

Thickn. (ga) [mm]: 0.8 1.0 1.2 1.5

Universal Cover Clip

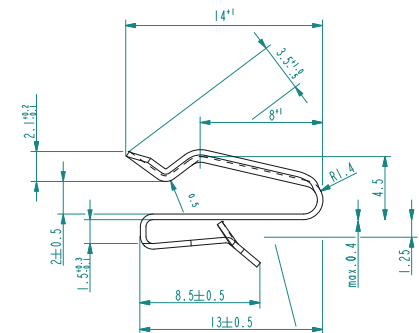
Универсална щипка за капак



KT TEL

CODE	Steel T, mm	Wire Ø D, mm	kg 1 pc	pcs
KT TEL	0.8-1.5	4-5	0.002	100

TK TEL



MATERIAL & FINISH
 C67S DIN EN 10132-4

Cover of Wire Mesh Cable Tray

Капак на кабелна скара от телена мрежа - (серия FKK)



Pre-Galvanised

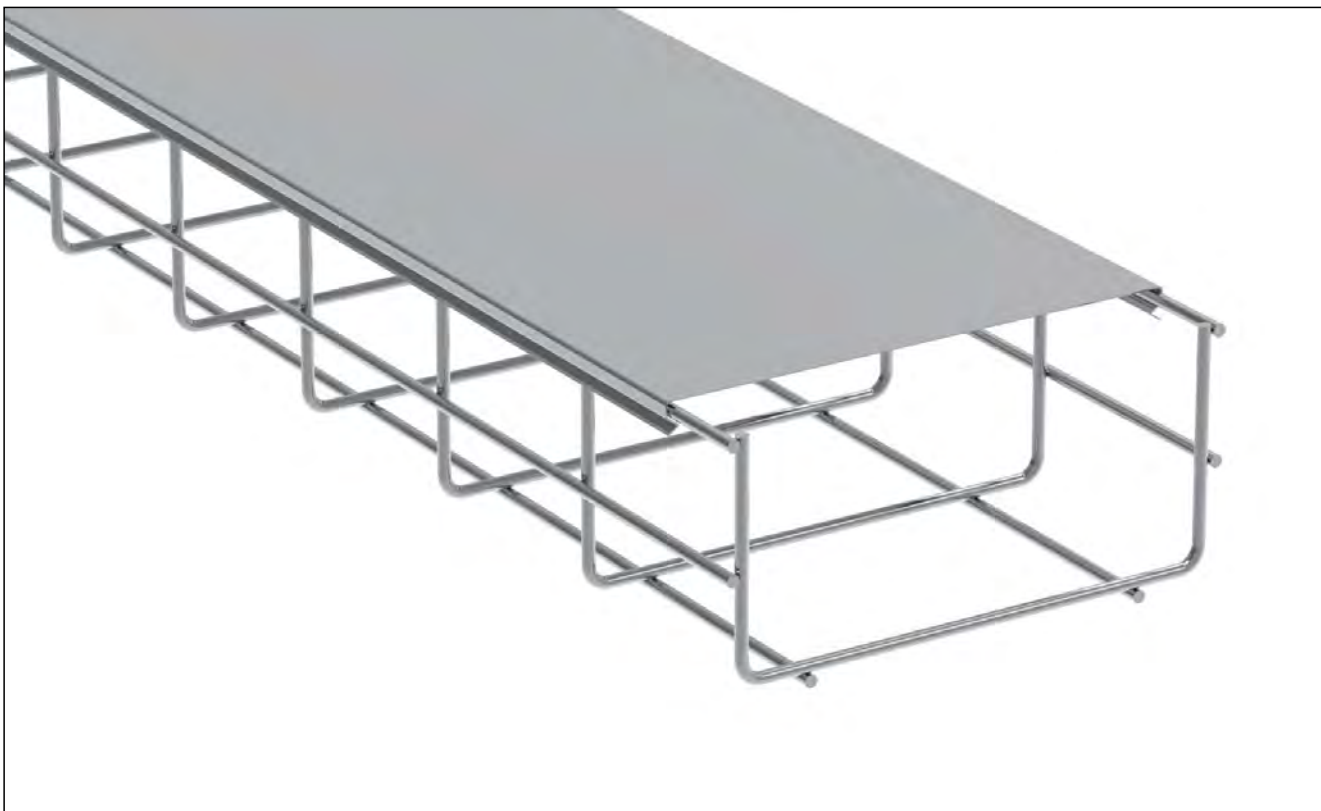
FKK		PG		0.6mm	
CODE	Width w, mm	Length L, mm	KG 1 pc	pcs	
FKK 065 06 PG	65	3000	0,495	2	
FKK 11 06 PG	110	3000	0,707	2	
FKK		PG		0.7mm	
CODE	Width w, mm	Length L, mm	KG 1 pc	pcs	
FKK 16 07 PG	160	3000	1,100	2	
FKK 21 07 PG	210	3000	1,374	2	
FKK		PG		0.8mm	
CODE	Width w, mm	Length L, mm	KG 1 pc	pcs	
FKK 26 08 PG	260	3000	1,884	2	
FKK 31 08 PG	310	3000	2,198	2	
FKK		PG		1.0mm	
CODE	Width w, mm	Length L, mm	KG 1 pc	pcs	
FKK 41 10 PG	410	3000	3,533	2	
FKK 46 10 PG	460	3000	3,925	2	
FKK 51 10 PG	510	3000	4,318	2	
FKK 61 10 PG	610	3000	5,103	2	

FKK

APPLICATIONS
Cable routing

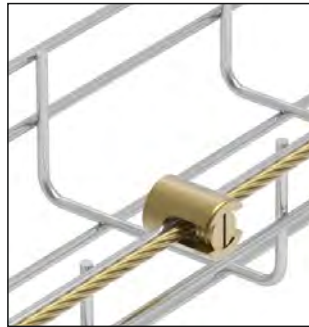
MATERIAL & FINISH
PG-Pregalvanized

Thickn. (ga) [mm]: 0.8 | 1.0 | 1.2 | 1.5



Earthing Clamp

Заземителна скоба



Brass

TPC					
CODE	Section mm ²	Thread a, mm	kg 1 pc	pcs	
TPC	1x35	M6	0.03	100	
TPC 70	1x70	M6	0.05	100	

Earthing Clamp 16x16

Заземителна скоба



Brass

TPP								
CODE	Section (mm ²)	Pc	Bolt (M) Size	Height H, mm	Length L, mm	Clamping R, Raidus	kg 1 pc	pcs
TPP 25	4-25	1	M6x25	30	20	3,75	0.055	300
TPP 35	6-35	1	M8x30	35	22	3,75	0.060	250
TPP 50	6-50	1	M8x35	40	24	5,25	0.080	200
TPP 70	10-70	1	M8x35	40	25	5,25	0,105	150
TPP 95	10-95	2	M8x40	45	36	6,45	0.200	100
TPP 120	16-120	2	M8x40	45	42	6,45	0.240	100
TPP 150	25-150	3	M8x40	45	52	6,45	0.370	75

Earthing Strap Grounding - Tin Plated

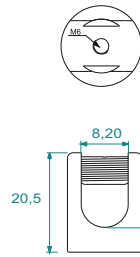
Заземителна лента за заземяване - калайдисана



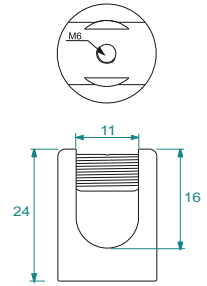
Tin Plated Copper

TPS					
CODE	Section mm ²	Length L, mm	kg 1 pc	pcs	
TPS	6 mm ²	80	0.008	100	
TPS 150	6 mm ²	130	0.016	100	

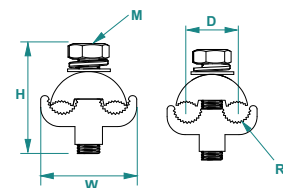
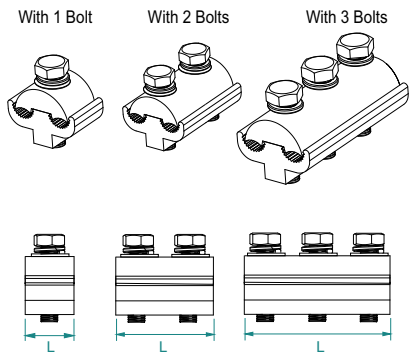
TPC



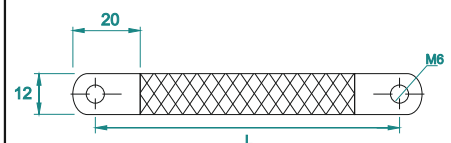
TPC 70



TPP



TPS



Tin Plated Copper